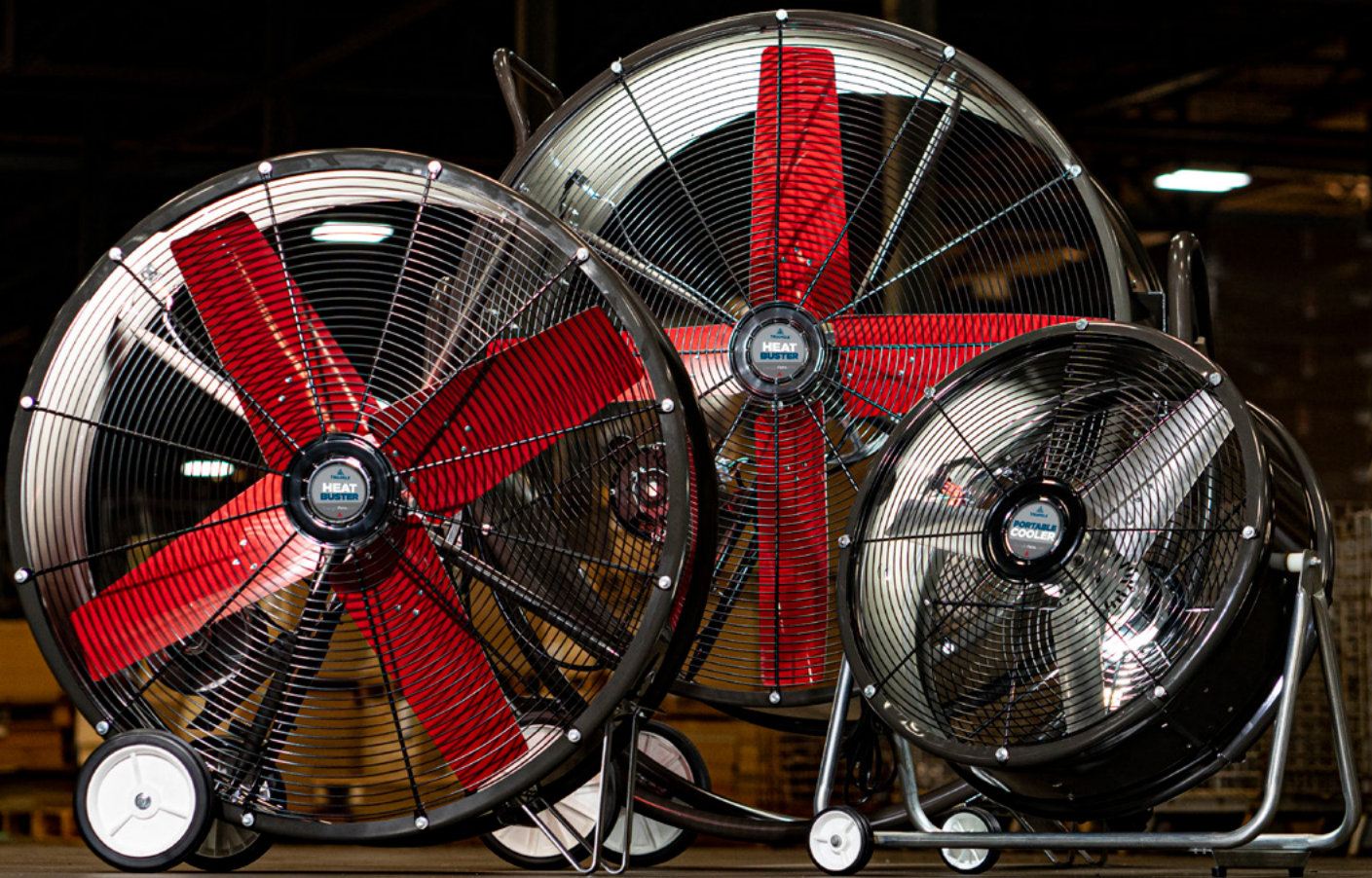




# PRODUCT CATALOG



COMMERCIAL | INDUSTRIAL | RESIDENTIAL

## FANS & SHUTTERS

**MOVING AIR.**



engineered  
to perform

e



90% built  
in 7 days

7



TriangleFans.com



# MOVING AIR.

We have been in circulation since 1948. Triangle Engineering's dependable and durable airflow products are cooling homes, factories, and farms around the world. From made-to-order mounted fans for industrial ventilation to portable barrel fans for spot cooling to economical in-home comfort solutions, we craft functional products that perform to fit your needs.

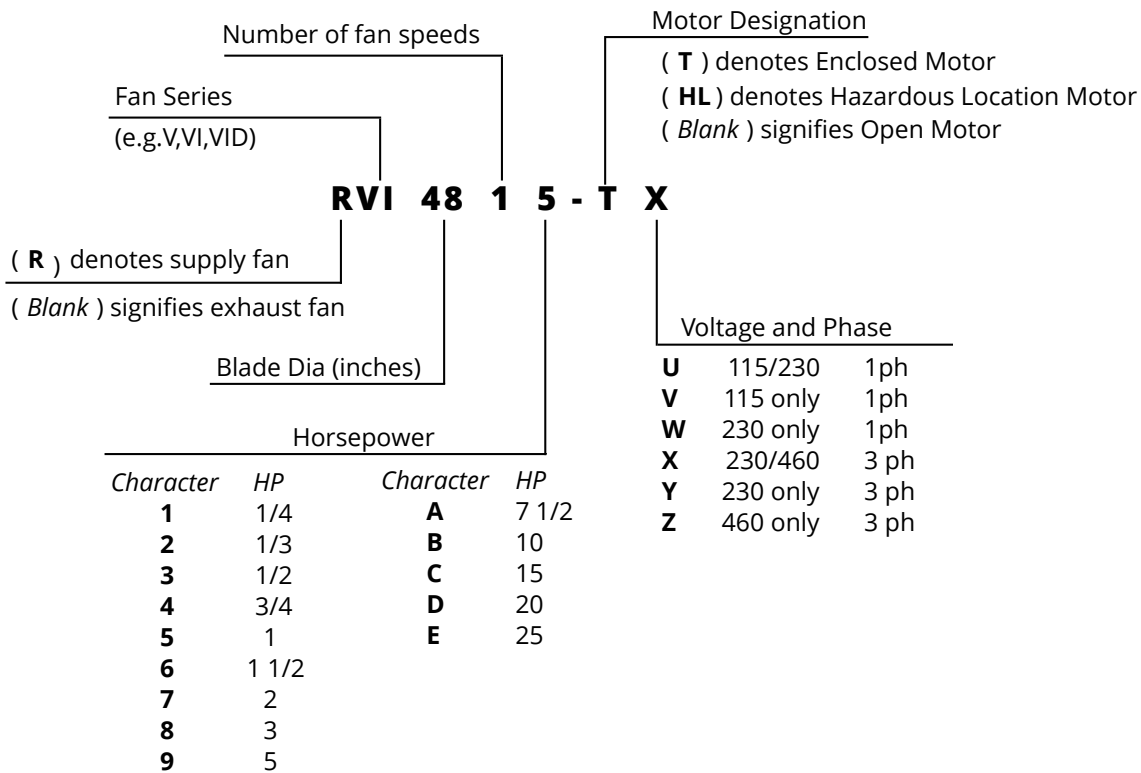


durability  
for decades

10



# MODEL NUMBER EXPLANATION



# CALCULATION FOR SIZING YOUR FAN

- For **cooling people** we suggest 2 to 4 minute single air change
- For **cooling product** we suggest 4 to 6 minute single air change
- For **removing stagnant air** we suggest 6 to 10 minute single air change

## CALCULATION

- Building Structure: Length x Width x Ceiling Height = Cubic Feet
- Decide how many minutes per single air change you require ( 2 thru 10)  
(Note: Your climate or equipment may alter your minutes required)
- Divide "A" by "B" = Cubic Feet Per Minute (CFM) Airflow required

## EXAMPLE

Building Structure: 100' L x 100' W x 10' H = 100,000 Cubic Feet  
 100,000 / 4 minute single air change = 25,000 CFM Airflow required  
 Suggested Fan Size: (Qty 1) VI 5417 or (Qty 2) VI 3615



# TABLE OF CONTENTS

## Portable Fans

HeatBuster Belt Drive	7
Portable Cooler Direct Drive	11
Cradle Mounted JetAire	15
PVI	17
Gentle Breeze	19
ManCooler	21

## Ceiling Mounted Fans

CMB - Yoke Mounted Belt Drive Fans	26
CMPC - Yoke Mounted Direct Drive Fans	27
Suspended Gentle Breeze	28

## Pedestal Fans

AMB - Master Breeze Fans and Mounts	31
-------------------------------------	----

## High Velocity Fans

HV - Jetaire High Velocity Fans and Mounts	35
TP - TP High Velocity Fans	39

## Whole House Fans & Shutters

CC - Comfort Cooler Belt Drive	43
AS - Standard Ceiling Shutter	45
CSS - No-Cut Joist Ceiling Shutters	45

## Agricultural Fans

PFG - Belt and Direct Drive Agricultural Fans	47
SLW - Slant Wall Agricultural Fans	50

## Wall Exhaust and Supply Fans & Shutters

Best Practices of Fan Selection	54
GPX - General Purpose Exhaust Fans with Shutters	55
V - Industrial Exhaust Fans	57
RV - Industrial Supply Fans	59
VID - Direct Drive Industrial Exhaust Fans	61
VI - Heavy Duty Industrial Exhaust Fans	63
RVI - Heavy Duty Industrial Supply Fans	65
IWS - Single and Double Panel Exhaust Shutters	67
RIWS - Single and Double Panel Supply Shutters	67
VIK - Heavy Duty Industrial Exhaust Packages	71
FHIR - True Reversible Exhaust and Supply Fans	73
FHI - Severe Duty Industrial Exhaust or Supply Fans	76

## Roof Mount Fans

HHC - Hooded Fans	84
JD, JBI, JBX - Jet Upblast Fans	88

## Tube Axial Fans

Tube Axial Fans	96
-----------------	----

## Accessories

Rain Hoods - All Weather Hoods	102
VI Guards - For VID, VI, and RVI Series Fans	102
V Guards - For V and RV Series Fans	103
Thermostats - For CA, CC, PFG, SLW, GPX, VI, VI,	103
Wind Band Stack Caps - for Roof Mounted Exhaust	104

## Hazardous Location

Hazardous Location Warning	105
----------------------------	-----



**▶ PORTABLE  
FANS**

Moving air productively

HEATBUSTER BELT DRIVE

PORTABLE COOLER DIRECT DRIVE

CRADLE MOUNTED JETAIRE

PVI

GENTLE BREEZE

MANCOOLER





# THE HEATBUSTER™

The highest quality, most complete line of heavy duty fans available, HeatBuster fans are belt driven, rugged, low-cost air movers. They are used to spot cool assembly lines, machine shops, bakeries, loading docks, laundries, gymnasiums, auto repair facilities, warehouse, or anywhere a high volume of air movement is required.

## Features

- Belt drive
- Heavy gauge steel barrels
- Deep pitched blades for maximum airflow
- OSHA approved spiral wound guards
- 115 volt, 60 hertz, single phase, one- or two-speed motors
- 115V power cord with molded plug





# HEATBUSTER

- Top of the line HeatBuster
- Wide body barrel
- Full width easy grip handle

The HeatBuster is one of the most rugged and dependably built, full service belt drive fans on the market and is engineered to provide long lasting spot cooling.

Model	Blade Diameter	CFM	RPM	HP	Amps	Width	Depth	Height	Approximate Weight (lbs)
TPC3613-T*	36"	12,100	500	1/2	7.6	40"	21"	42"	143
TPC4213-T*	42"	14,445	500	1/2	7.6	45"	21"	47"	153
TPC4214	42"	15,850	505	3/4	13.0	45"	25"	47"	155
TPC4215	42"	16,990	475	1	11.0	45"	25"	47"	193
TPC4815	48"	19,460	475	1	11.0	50"	25"	52"	215
TPC6016	60"	30,100	370	1 1/2	14.0	63"	25"	68"	242

\*Totally enclosed motor and garage style handle

## HAZARDOUS LOCATION MODELS\*

**Hazardous location models are made to order and are non returnable. They come equipped with:**

- Motor: Single Speed, Div. 1, Class 1, Group D & Class II, Groups F & G
- Stationary Motor Mount
- No wiring or switch
- Aluminum Blade

Model	Blade Diameter	Phase	HP	Width	Depth	Height	Approximate Weight
TPC3613HL-U	36"	1-Phase	1/2 HP	40"	25"	42"	162
TPC3613HL-X	36"	3-Phase	1/2 HP	40"	25"	42"	152
TPC4213HL-U	42"	1-Phase	1/2 HP	45"	25"	47"	168
TPC4213HL-X	42"	3-Phase	1/2 HP	45"	25"	47"	162
TPC4214HL-U	42"	1-Phase	3/4 HP	45"	25"	47"	173
TPC4214HL-X	42"	3-Phase	3/4 HP	45"	25"	47"	168
TPC4215HL-U	42"	1-Phase	1 HP	45"	25"	47"	215
TPC4215HL-X	42"	3-Phase	1 HP	45"	25"	47"	205
TPC4815HL-U	48"	1-Phase	1 HP	50"	25"	52"	262
TPC4815HL-X	48"	3-Phase	1 HP	50"	25"	52"	252

\*See page 105 for information on hazardous location models.





## HEATBUSTER SLIM

- Slim design
- 4 blades
- Automatic belt tensioner
- Single and two-speed motors

The HeatBuster Slim has all of the same great features as the HeatBuster in a slim barrel, which increases portability while decreasing weight.

Model	Blade Diameter	CFM	RPM	HP	Amps	Width	Depth	Height	Approximate Weight
SPL3613	36"	12,100	500	1/2	7.5	40"	21"	40"	113
SPL3623	36"	12,100 / 8,060	500 / 330	1/2	7.3	40"	21"	40"	113
SPL4213	42"	14,445	500	1/2	7.5	45"	21"	46"	123
SPL4223	42"	14,445 / 9,550	500 / 330	1/2	7.3	45"	21"	46"	123



## QUIET BREEZE

- Economical cooling
- Slim design
- 3 blades
- Two-speed motor

The Quiet Breeze is Triangle's most economical belt driven portable fan that is designed with durability and maximum airflow in mind.

Model	Blade Diameter	CFM	RPM	HP	Amps	Width	Depth	Height	Approximate Weight
QBX3623	36"	11,000 / 7,600	505 / 485	1/2	5.8	40"	21"	40"	92
QBX4223	42"	13,000 / 9,000	505 / 485	1/2	5.8	45"	21"	46"	99
QBX4825	48"	14,800 / 13,300	500/420	1	12.0	51"	21"	52"	114



## THE HBD

- Mounted on a heavy gauge cradle
- Tilts up or down 90° with positive tilt lock knob
- Automatic belt tensioner
- Single and two speed models

The “HBD” employs the same great design of the HeatBuster while adding a cradle mount, allowing for precise, directional, cooling of people, products or equipment.

Model	Blade Diameter	CFM	RPM	HP	Amps	Width	Depth	Height	Approximate Weight
HBD3613	36"	12,100	500	1/2	7.5	50"	27"	50"	192
HBD3623	36"	12,100 / 8,060	500 / 330	1/2	7.3	50"	27"	50"	192
HBD4213	42"	14,445	500	1/2	7.5	54"	27"	54"	221
HBD4223	42"	14,445 / 9,550	500 / 330	1/2	7.3	54"	27"	54"	221
HBD4214	42"	16,900	505	3/4	13.0	54"	27"	54"	237
HBD4815	48"	19,460	475	1	11.0	58"	27"	60"	307

## HAZARDOUS LOCATION MODELS\*

**Hazardous location models are made to order and are non returnable. They come equipped with:**

- Motor: Single Speed, Div. 1, Class 1, Group D & Class II, Groups F & G
- Aluminum Blade
- Stationary Motor Mount
- No wiring or switch

Model	Blade Diameter	Phase	HP	Width	Depth	Height	Approximate Weight
HBD3613HL-U	36"	1-Phase	1/2 HP	50"	27"	50"	209
HBD3613HL-X	36"	3-Phase	1/2 HP	50"	27"	50"	205
HBD3615HL-U	36"	1-Phase	1 HP	50"	27"	50"	180
HBD4213HL-U	42"	1-Phase	1/2 HP	54"	27"	54"	229
HBD4213HL-X	42"	3-Phase	1/2 HP	54"	27"	54"	217
HBD4214HL-U	42"	1-Phase	3/4 HP	54"	27"	54"	248
HBD4214HL-X	42"	3-Phase	3/4 HP	54"	27"	54"	238
HBD4815HL-U	48"	1-Phase	1 HP	58"	27"	60"	332
HBD4815HL-X	48"	3-Phase	1 HP	58"	27"	60"	322

\*See page 105 for information on hazardous location models.





## THE PORTABLE COOLER™

The highest quality, most complete line of heavy duty fans available. Our line of portable direct drive fans are rugged, low-cost air movers. They are used to spot cool assembly lines, machine shops, bakeries, loading docks, laundries, gymnasiums, auto repair facilities, warehouses or anywhere a high volume of air movement is required.

### Features

- Direct drive
- Heavy gauge steel barrels
- Deep pitched blades for maximum airflow
- OSHA approved spiral wound guard
- 115 volt, 60 hertz, single phase, one- or two-speed motors





## PORTABLE COOLER HD

- Tough, rugged and durable
- Deep pitched blades
- Switch Guard

The Portable Cooler HD is one of the most rugged and dependably built, direct drive fans on the market and is engineered to provide long lasting spot cooling for people, products and equipment.

Model	Blade Diameter	CFM	RPM	HP	Amps	Width	Depth	Height	Approximate Weight
PC3613	36"	10,900	825	1/2	6.0	39"	21"	40"	111
PC3623	36"	10,900 / 8,800	825 / 680	1/2	6.0	39"	21"	40"	111
PC4213	42"	13,600	825	1/2	6.0	45"	21"	46"	121
PC4223	42"	13,600 / 10,500	825 / 680	1/2	6.0	45"	21"	46"	121
PC4815	48"	19,100	850	1	9.1	51"	25"	52"	193



## THE PORTABLE COOLER

- Economical cooling
- Durable steel barrel
- Two-speed

The Portable Cooler is our most economical direct drive portable barrel fan. It offers superb airflow in a rugged and easy to move design.

Model	Blade Diameter	CFM	RPM	HP	Amps	Width	Depth	Height	Approximate Weight
QBD3623	36"	10,900 / 8,800	800/725	1/2	6.1	39"	21"	40"	96
QBD4223	42"	13,200 / 10,200	800/725	1/2	6.1	45"	21"	45"	101



## THE HBPC

- Tough, rugged and durable
- Full width easy grip handle
- Tilts up or down with positive tilt lock knob

The “HBPC” employs the same great design of the Portable Cooler HD while adding a cradle mount, allowing for precise, directional cooling of people, products or equipment.

Model	Blade Diameter	CFM	RPM	HP	Amps	Width	Depth	Height	Approximate Weight
HBPC3613	36"	10,900	825	1/2	6.0	45"	27"	50"	192
HBPC3623	36"	10,900 / 8,800	825 / 680	1/2	6.0	45"	27"	50"	192
HBPC4213	42"	13,600	825	1/2	6.0	51"	27"	54"	202
HBPC4213-W*	42"	13,600	825	1/2	3.0	51"	27"	54"	202
HBPC4223	42"	13,600 / 10,500	825 / 680	1/2	6.0	51"	27"	54"	202
HBPC4815	48"	19,100	850	1	9.1	58"	27"	60"	228
HBPC4815-W*	48"	19,100	850	1	4.5	58"	27"	60"	228

\*230V 1 Ø motor





## PORTABLE COOLER MINI

- Deep pitched blades
- Spiral wound wire guard
- 115 volt 60hz two-speed motor
- Caddy cart handle for easy maneuverability

The Portable Cooler Mini has all of the great design of the Portable Cooler HD but in a slim, light weight design, making it ideal for workshops, garages and sporting events.

Model	Blade Diameter	CFM	RPM	HP	Amps	Width	Depth	Height	Approximate Weight
PC3021	30"	8,200 / 6,600	1,090 / 1,010	1/4	3.5	33"	15"	34"	55



## CONTRACTOR'S FAN

- Tilt up or down 90° degrees
- 115 volt, 60hz, two-speed motor
- Spiral wound wire guard

Triangle's Contractor Fan is great for home use, farm use, workshops, garages, sporting events, and campsites.

Model	Blade Diameter	CFM	RPM	HP	Amps	Width	Depth	Height	Approximate Weight
CF2421	24"	3,800 / 3,200	1,100 / 950	1/4	3.5	29"	16"	31"	48



# CRADLED JETAIRE™ HIGH VELOCITY

Triangle's Cradle Mounted JetAire™ high velocity fans are manufactured with a durable polypropylene barrel, a welded polyester powder coated cradle and equipped with totally enclosed motors. JetAire High Velocity fans are ideal for industrial, commercial and golf course applications.

## Features

- Available in a 30" diameter
- Moves a large concentration of air at distances of 100' or more
- Tiltable head for desired direction of airflow
- Available in Hunter Green or Industrial Gray
- Bronze polyester powder coated cradle
- 10' grounded three conductor cord with molded plug

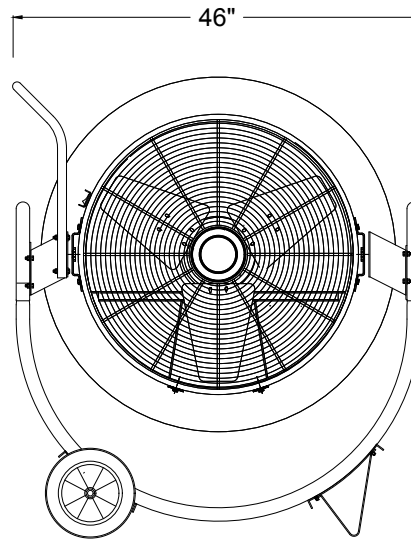
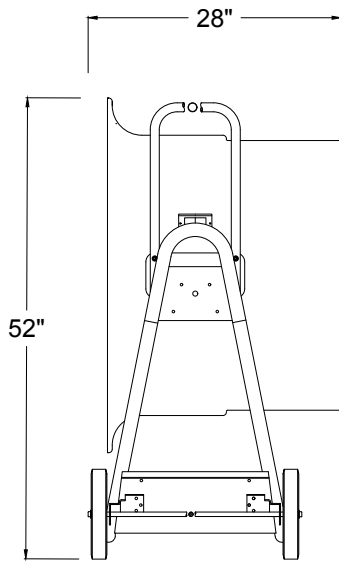




## CRADLED JETAIRE™

- Tiltable head for desired direction of airflow
- Choice of Hunter Green or Industrial Gray Barrel
- Cradle Mounted
- Totally Enclosed Motor
- Optional Mister Kit for added comfort

Diameter	HP	CFM	Approx. Weight	1-Phase	
				115V	230V
30"	1/2	7,900	218	HVD3013-V	HVD3013-W
	1	10,600	222	HVD3015-V	HVD3015-W





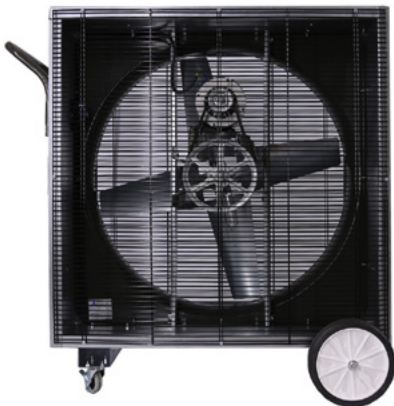


## THE PVI SERIES

The PVI Series is a portable box fan with heavy duty intake and exhaust guards. It employs a rolled inlet powder coated venturi to improve airflow and come with a rugged heavy gauge galvanized housing. It is excellent for mechanic shops, gymnasiums, factories or any other location where portable air movement is desired.

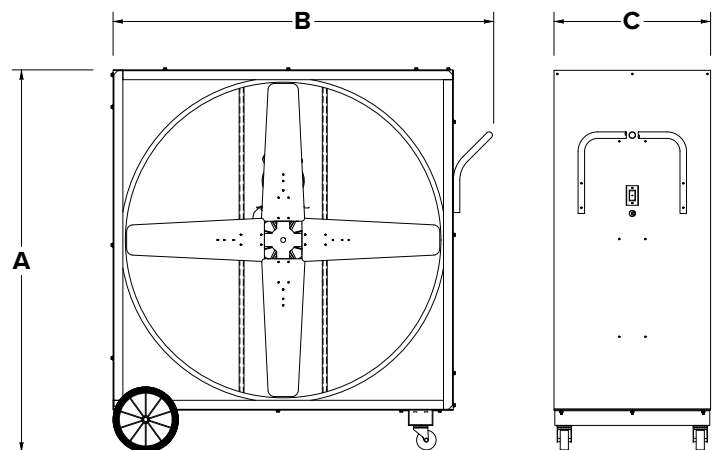
### Features

- Available in 36" to 60" blade diameters
- Wide ergonomic handles
- Two fixed and two swivel casters
- 10' grounded three conductor cord with molded plug
- Triangle's automatic belt tensioner



Diameter	HP	CFM	Approximate Weight	Single Phase		Three Phase
				115V	230V	230/460V
36"	1/2	10,800	180	PVI3613-V	PVI3613-W	PVI3613-X
	3/4	12,600	194	PVI3614-V	PVI3614-W	PVI3614-X
	1	13,340	205	PVI3615-V	PVI3615-W	PVI3615-X
	1 1/2	14,790	217	PVI3616-V	PVI3616-W	PVI3616-X
	2	16,900	262		PVI3617-W	PVI3617-X
	3	15,400	317			PVI3618-X
42"	1/2	13,160	239	PVI4213-V	PVI4213-W	PVI4213-X
	3/4	15,050	245	PVI4214-V	PVI4214-W	PVI4214-X
	1	16,570	262	PVI4215-V	PVI4215-W	PVI4215-X
	1 1/2	17,950	279	PVI4216-V	PVI4216-W	PVI4216-X
	2	22,050	313	PVI4217-V		PVI4217-X
48"	3/4	19,100	280	PVI4814-V	PVI4814-W	PVI4814-X
	1	20,600	295	PVI4815-V	PVI4815-W	PVI4815-X
	1 1/2	21,500	310	PVI4816-V	PVI4816-W	PVI4816-X
	2	21,100	332	PVI4817-V		PVI4817-X
	3	23,700	392			PVI4818-X
	5	28,800	412			PVI4819-X
54"	2	25,500	448	PVI5417-V		PVI5417-X
	3	29,800	443			PVI5418-X
	5	37,300	451			PVI5419-X
60"	2	30,800	545	PVI6017-V		PVI6017-X
	3	34,700	538			PVI6018-X
	5	43,500	564		PVI6019-W	PVI6019-X

Diameter	HP	A	B	C
36"	UP TO 1.5 HP	44"	46"	24"
	2 HP AND UP	44"	46"	30"
42"	UP TO 1.5 HP	50"	52"	24"
	2 HP AND UP	50"	52"	30"
48"	UP TO 1.5 HP	56"	58"	24"
	2 HP AND UP	56"	58"	30"
54"	ALL	66"	68"	30"
60"	ALL	72"	74"	30"





# THE GENTLE BREEZE

Triangle's Gentle Breeze is the largest, most ruggedly built portable fan on the market today. It quietly delivers a gentle breeze at distances up to 150 feet! It is so quiet you can easily carry on a normal conversation. It is easy to move for optimal breeze direction and is ideal for assembly lines, work areas, warehouses and sporting events.

## Features

- Extra quiet 60dBa at 20' from the fan
- OSHA compliant woven wire guards
- Powder coat finish for resistance to weather and corrosion, indoors or out
- Single-phase and three-phase models available
- Ships completely assembled
- 20' grounded three conductor cord with molded plug





## GENTLE BREEZE

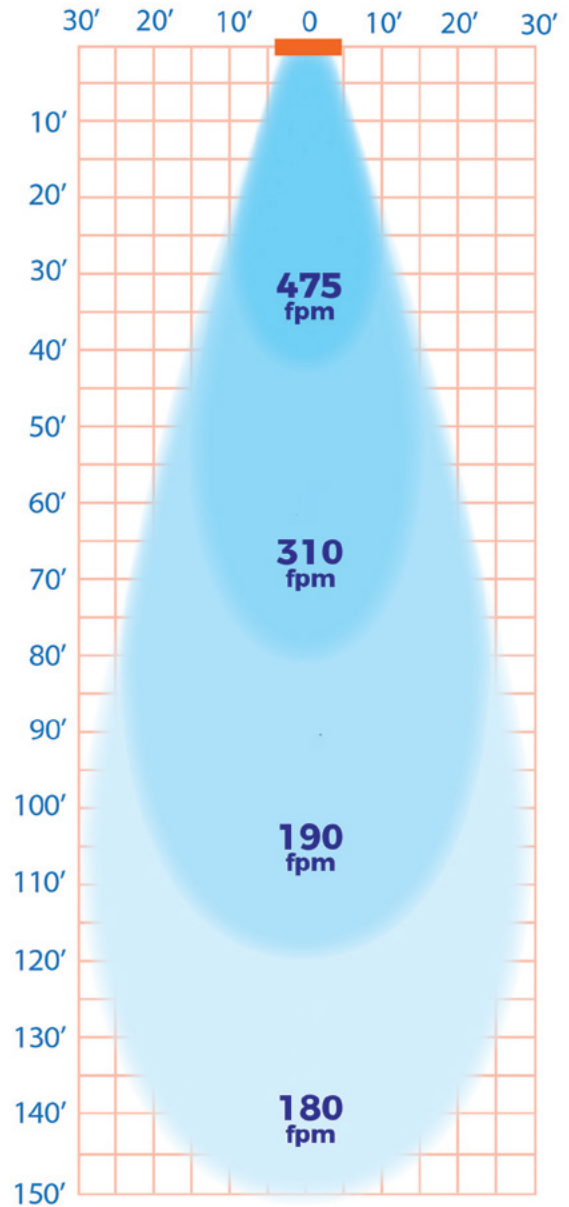
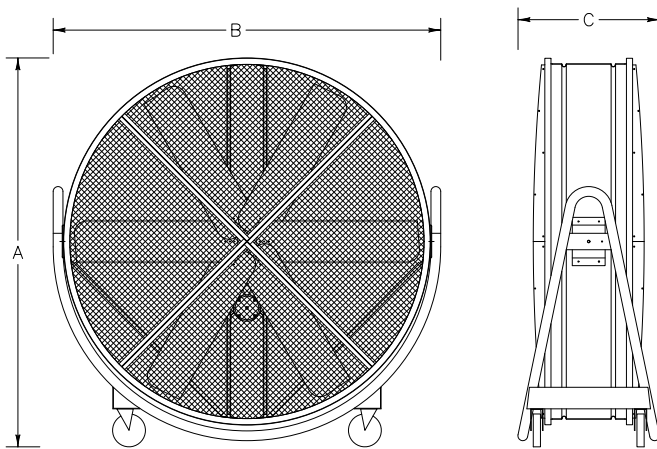
Model	Volts	Phase	AMPS	Fan Weight	Shipping Weight
GB8415-V	115	1-Phase	10	680	1030
GB8415-W	230	1-Phase	5		

## GB WITH SPEED CONTROL

Model	Volts	Phase	AMPS	Fan Weight	Shipping Weight
GB8415SC-V	115	1-Phase	10	700	1050
GB8415SC-W	230	1-Phase	5		

## GENTLE BREEZE DIMENSIONS

Dimensions	A	B	C
Fan	95"	96"	35"
Crate	103"	101"	42"
Speed	220 RPM		
Sound Level	60dBa at 20' From Fan		



- Air speeds are the average velocity for each zone
- Air speeds were measured 67" from the floor
- FPM = Feet per minute

Testing performed in a controlled environment. Actual airflow may vary due to operating environment



# THE MANCOOLER

Triangle's ManCoolers are designed with heavy duty welded rolled angle rings and thick gauge barrels to withstand rough, on the job handling. All Triangle ManCoolers come standard from the factory with a lifting eye. They are ideally suited for welding booths, personnel cooling, equipment cooling, steel mills and oil rigs.

## Features

- Direct drive
- Durable polyester powder coat finish
- Single-phase or three-phase models available with TE or HL motors
- OSHA approved spiral wound guards
- Airfoil propellers



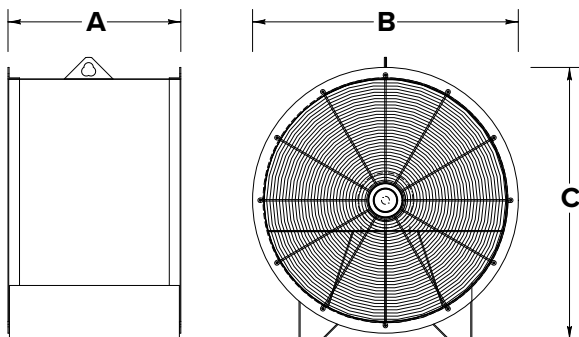
# LOW STAND MANCOOLER



- Direct drive
- Durable polyester powder coat finish
- Airfoil propellers
- Lifting eye

Diam	HP	CFM	RPM	Totally Enclosed		Hazardous Location*	
				1PH	3PH	1PH	3PH
18"	1/2 HP	2,990	1750	MCLS1813T-U-1800	MCLS1813T-X-1800	MCLS1813HL-U-1800	MCLS1813HL-X-1800
24"	1/4 HP	4,670	1750	MCLS2411T-U-1800	MCLS2411T-X-1800	MCLS2411HL-U-1800	MCLS2411HL-X-1800
	1/2 HP	5,550	1750	MCLS2413T-U-1800	MCLS2413T-X-1800	MCLS2413HL-U-1800	MCLS2413HL-X-1800
	3/4 HP	6,830	1140	MCLS2414T-U-1200	MCLS2414T-X-1200	MCLS2414HL-U-1200	MCLS2414HL-X-1200
	1 HP	6,805	1750	MCLS2415T-U-1800	MCLS2415T-X-1800	MCLS2415HL-U-1800	MCLS2415HL-X-1800
	3 HP	9,810	1750	MCLS2418T-U-1800	MCLS2418T-X-1800	MCLS2418HL-U-1800	MCLS2418HL-X-1800
30"	1/2 HP	7,820	1750	MCLS3013T-U-1800	MCLS3013T-X-1800	MCLS3013HL-U-1800	MCLS3013HL-X-1800
	3/4 HP	8,990	1140	MCLS3014T-U-1200	MCLS3014T-X-1200	MCLS3014HL-U-1200	MCLS3014HL-X-1200
	1 1/2 HP	11,300	1750	MCLS3016T-U-1800	MCLS3016T-X-1800	MCLS3016HL-U-1800	MCLS3016HL-X-1800
	2 HP	12,500	1140		MCLS3017T-X-1200		MCLS3017HL-X-1200
	3 HP	15,300	1750	MCLS3018T-U-1800	MCLS3018T-X-1800	MCLS3018HL-U-1800	MCLS3018HL-X-1800
36"	1 1/2 HP	14,460	1750	MCLS3616T-U-1800	MCLS3616T-X-1800	MCLS3616HL-U-1800	MCLS3616HL-X-1800
	2 HP	16,050	1140		MCLS3617T-X-1200		MCLS3617HL-X-1200
		15,920	1750	MCLS3617T-U-1800	MCLS3617T-X-1800	MCLS3617HL-U-1800	MCLS3617HL-X-1800
	3 HP	20,120	1140	MCLS3618T-U-1200	MCLS3618T-X-1200		MCLS3618HL-X-1200
42"	2 HP	21,210	1140		MCLS4217T-X-1200		MCLS4217HL-X-1200
	5 HP	28,791	1140		MCLS4219T-X-1200		MCLS4219HL-X-1200
48"	7 1/2 HP	45,050	1140		MCLS481AT-X-1200		MCLS481AHL-X-1200
	10 HP	49,700	1140		MCLS481BT-X-1200		

\*See page 105 for information on hazardous location models.



Fan Size	A	B	C
18"	20"	21 1/8"	22 1/8"
24"	20"	27 1/8"	28 1/8"
30"	22"	34 1/8"	35 1/8"
36"	28"	40 1/8"	41 1/8"
42"	28"	46 1/8"	47 1/8"
48"	30"	52 1/8"	53 1/8"



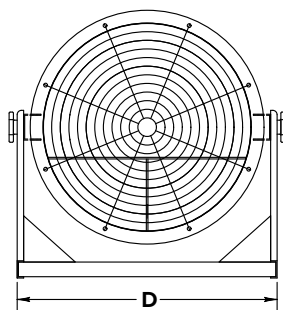
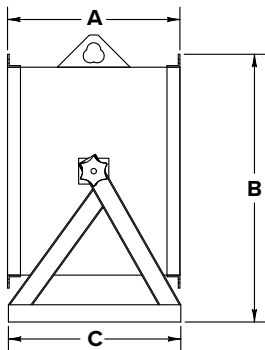
# MEDIUM STAND MANCOOLER



- Direct drive
- Durable polyester powder coat finish
- Airfoil propellers
- Lifting eye
- 180° adjustment of air delivery

Diam	HP	CFM	RPM	Totally Enclosed		Hazardous Location*	
				1PH	3PH	1PH	3PH
18"	1/2 HP	2,990	1750	MCMS1813T-U-1800	MCMS1813T-X-1800	MCMS1813HL-U-1800	MCMS1813HL-X-1800
24"	1/4 HP	4,670	1750	MCMS2411T-U-1800	MCMS2411T-X-1800	MCMS2411HL-U-1800	MCMS2411HL-X-1800
	1/2 HP	5,550	1750	MCMS2413T-U-1800	MCMS2413T-X-1800	MCMS2413HL-U-1800	MCMS2413HL-X-1800
	3/4 HP	6,830	1140	MCMS2414T-U-1200	MCMS2414T-X-1200	MCMS2414HL-U-1200	MCMS2414HL-X-1200
	1 HP	6,805	1750	MCMS2415T-U-1800	MCMS2415T-X-1800	MCMS2415HL-U-1800	MCMS2415HL-X-1800
	3 HP	9,810	1750	MCMS2418T-U-1800	MCMS2418T-X-1800	MCMS2418HL-U-1800	MCMS2418HL-X-1800
30"	1/2 HP	7,820	1750	MCMS3013T-U-1800	MCMS3013T-X-1800	MCMS3013HL-U-1800	MCMS3013HL-X-1800
	3/4 HP	8,990	1140	MCMS3014T-U-1200	MCMS3014T-X-1200	MCMS3014HL-U-1200	MCMS3014HL-X-1200
	1 1/2 HP	11,300	1750	MCMS3016T-U-1800	MCMS3016T-X-1800	MCMS3016HL-U-1800	MCMS3016HL-X-1800
	2 HP	12,500	1140		MCMS3017T-X-1200		MCMS3017HL-X-1200
	3 HP	15,300	1750	MCMS3018T-U-1800	MCMS3018T-X-1800	MCMS3018HL-U-1800	MCMS3018HL-X-1800
36"	1 1/2 HP	14,460	1750	MCMS3616T-U-1800	MCMS3616T-X-1800	MCMS3616HL-U-1800	MCMS3616HL-X-1800
	2 HP	16,050	1140		MCMS3617T-X-1200		MCMS3617HL-X-1200
		15,920	1750	MCMS3617T-U-1800	MCMS3617T-X-1800	MCMS3617HL-U-1800	MCMS3617HL-X-1800
	3 HP	20,120	1140	MCMS3618T-U-1200	MCMS3618T-X-1200		MCMS3618HL-X-1200
42"	2 HP	21,210	1140		MCMS4217T-X-1200		MCMS4217HL-X-1200
	5 HP	28,791	1140		MCMS4219T-X-1200		MCMS4219HL-X-1200
48"	7 1/2 HP	45,050	1140		MCMS481AT-X-1200		MCMS481AHL-X-1200
	10 HP	49,700	1160		MCMS481BT-X-1200		

\*See page 105 for information on hazardous location models.



Fan Size	A	B	C	D
18"	20"	26"	21"	24"
24"	20"	32"	21"	30"
30"	22"	39"	25 1/2"	36"
36"	28"	42"	31"	42"
42"	28"	50 1/2"	33"	48"
48"	30"	56 5/8"	37"	54"



**▶ CEILING  
MOUNTED  
FANS**

Moving air conveniently

**CMB - YOKE MOUNTED BELT DRIVE FANS**

**CMPC - YOKE MOUNTED DIRECT DRIVE FANS**

**SUSPENDED GENTLE BREEZE**



## CEILING MOUNTED FANS

Triangle's Ceiling Mounted fans are rugged, low-cost air movers and are available in direct drive models up to 48" and belt drive models up to 84". Yoke mounted models allow for precise, directional cooling of people, products or equipment. They are used worldwide to cool assembly lines, machine shops, loading docks, gymnasiums, warehouses, or anywhere a high volume of air movement is required.

### Features

- Heavy gauge steel barrels
- Deep pitched blades for maximum airflow
- OSHA approved spiral wound guard
- Single and three-phase models available
- Suspension or yoke mounted models







## THE CMB

- Belt drive
- Yoke mount
- Tilts up/down 45° and swivels 360°
- Automatic belt tensioner
- Safety cable included

The “CMB” is great for factories, gymnasiums or anywhere there is a need to have precise directional ceiling mounted cooling.

Model	Blade Diameter	CFM	RPM	HP	Amps	Width	Depth	Height	Approximate Weight
CMB3613	36"	12,100	500	1/2	7.5	44"	19"	51"	185
CMB4213	42"	14,445	500	1/2	7.5	51"	19"	56"	195
CMB4214	42"	15,850	505	3/4	13.0	51"	24"	56"	200
CMB4815	48"	19,460	475	1	11.0	57"	24"	63"	271

## HAZARDOUS LOCATION MODELS

**Hazardous location models are made to order and are non returnable. They come equipped with:**

- Motor: Single Speed, Div. 1, Class 1, Group D & Class II, Groups F & G
- Aluminum Blade
- Stationary Motor Mount
- No wiring or switch

Model	Blade Diameter	Phase	HP	Width	Depth	Height	Approximate Weight
CMB3613HL-U	36"	1-Phase	1/2 HP	44"	24"	51"	204
CMB3613HL-X	36"	3-Phase	1/2 HP	44"	24"	51"	200
CMB4213HL-U	42"	1-Phase	1/2 HP	51"	24"	56"	224
CMB4213HL-X	42"	3-Phase	1/2 HP	51"	24"	56"	212
CMB4214HL-U	42"	1-Phase	3/4 HP	51"	24"	56"	243
CMB4214HL-X	42"	3-Phase	3/4 HP	51"	24"	56"	233
CMB4815HL-U	48"	1-Phase	1 HP	57"	24"	63"	327
CMB4815HL-X	48"	3-Phase	1 HP	57"	24"	63"	317

\*See page 105 for information on hazardous location models.

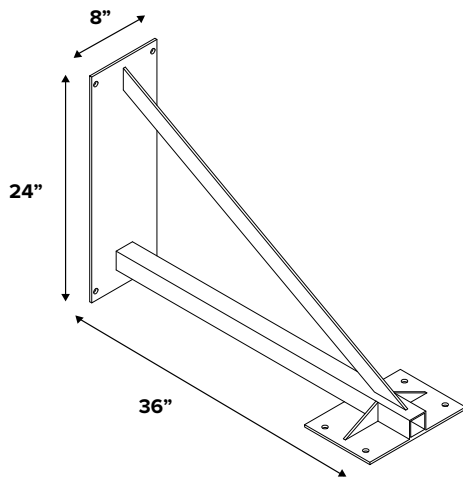


## THE CMPC

- Direct drive
- Easy overhead mounting
- Safety cable included
- Tilts up/down 45° swivels 360°

The “CMPC” is great for factories, gymnasiums or anywhere there is a need to have precise directional ceiling mounted air

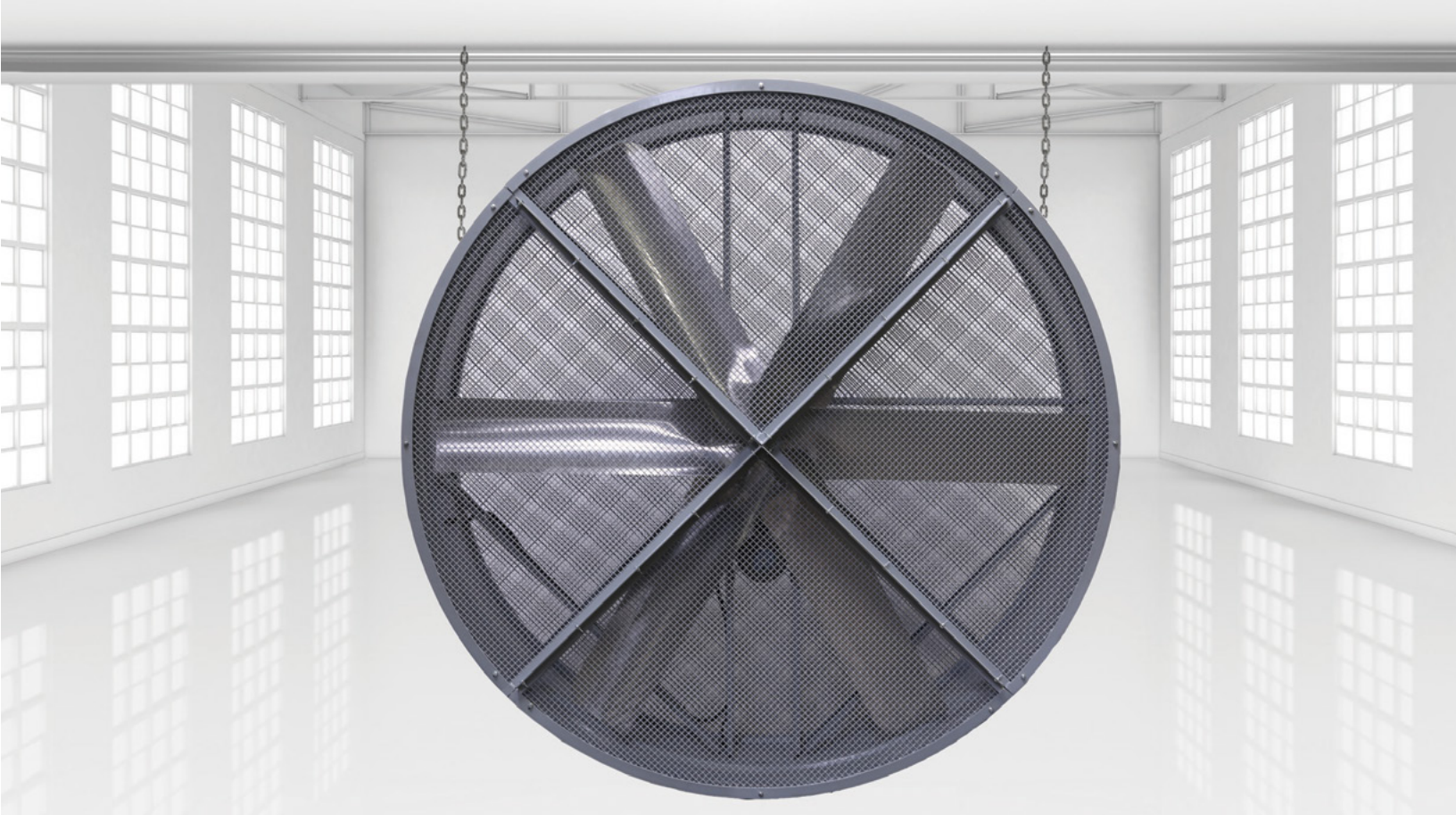
Model	Blade Diameter	CFM	RPM	HP	Amps	Width	Depth	Height	Approximate Weight
CMPC3021	30"	8,200 / 6,600	825 / 680	1/4	3.8	36"	12"	37"	96
CMPC3613	36"	10,900	825	1/2	6.0	44"	19"	51"	180
CMPC4213	42"	13,600	825	1/2	6.0	51"	19"	56"	190
CMPC4815	48"	19,100	850	1	9.1	57"	24"	63"	235



## MOUNTING ACCESSORIES

### Model: VMB111

- Beam Mount
- Durable polyester powder coat finish
- Compatible with CMB and CMPC models

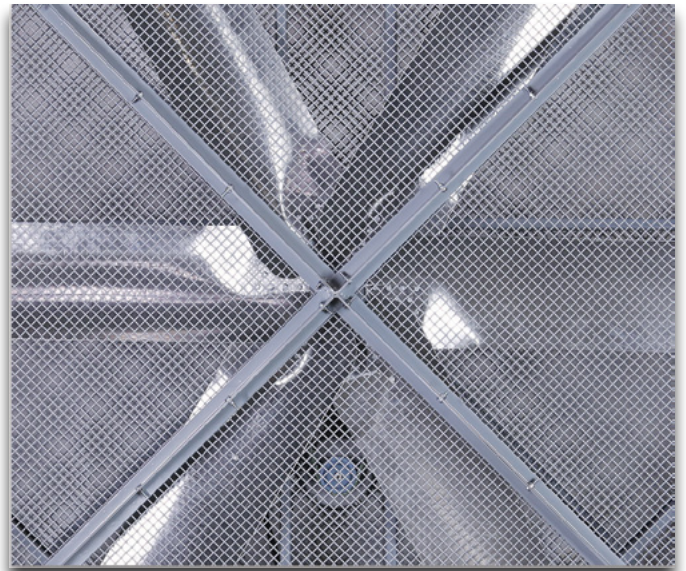


# THE SUSPENDED GENTLE BREEZE

The suspended Gentle Breeze is the largest, most ruggedly built ceiling mount fan Triangle offers. It quietly delivers a gentle breeze at distances up to 150 feet! It is so quiet you can easily carry on a normal conversation. The suspended model frees up floor space, offers optimal directional breeze and is ideal for work areas, assembly lines, warehouses and gymnasiums.

## Features

- Extra quiet 60 dBA at 20' from the fan
- OSHA compliant woven wire guards
- Powder coat finish for resistance to weather and corrosion, indoors or out
- Single phase and three-phase models available
- Ships completely assembled
- 20' grounded three conductor cord with molded plug





## WITHOUT SPEED CONTROL

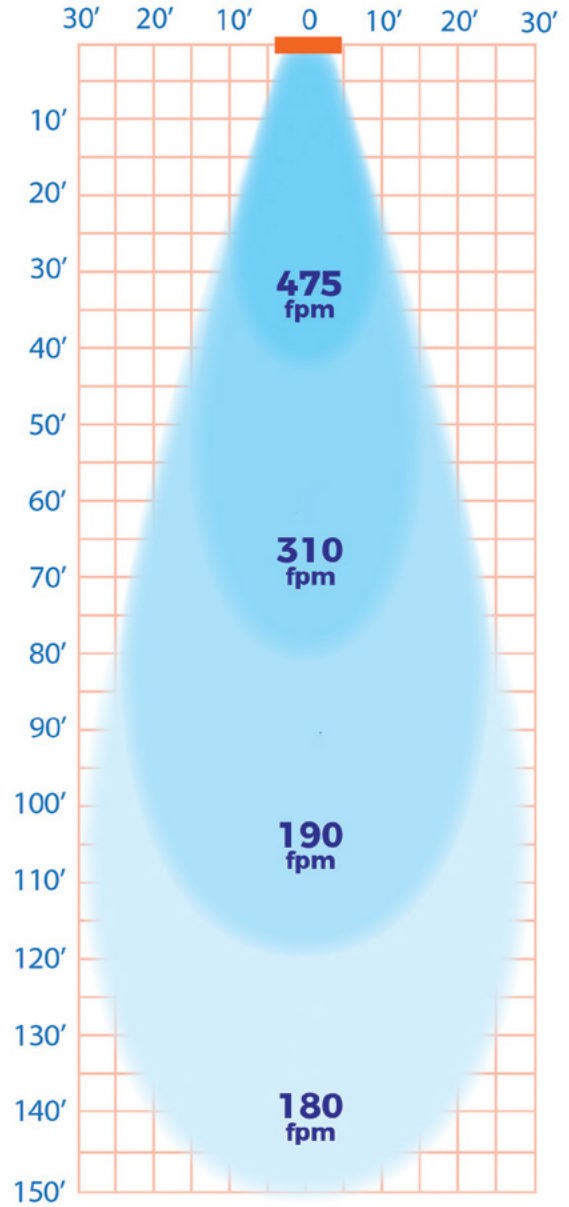
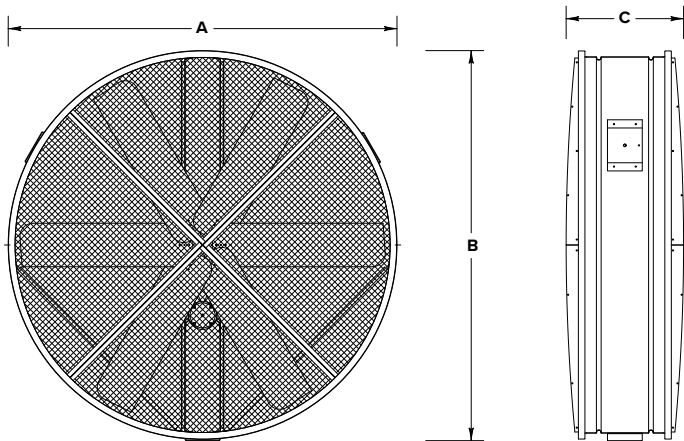
Model	Volts	Phase	AMPS	Fan Weight	Shipping Weight
GBS8415-V	115	1 Ø	10	540	890
GBS8415-W	230	1 Ø	5		
GBS8415-Y	230	3 Ø	5.5		
GBS8415-Z	460	3 Ø	2.8		

## WITHOUT SPEED CONTROL

Model	Volts	Phase	AMPS	Fan Weight	Shipping Weight
GBS8415SC-V	115	1 Ø	10	560	910
GBS8415SC-W	230	1 Ø	5		
GBS8415SC-Y	230	3 Ø	5.5		
GBS8415SC-Z	460	3 Ø	2.8		

## GENTLE BREEZE DIMENSIONS

Dimensions	A	B	C
Fan	90"	90"	27"
Crate	96"	98"	35"
Speed	220 RPM		
Sound Level	60dBa at 20' From Fan		



- Air speeds are the average velocity for each zone
- Air speeds were measured 67" from the floor
- FPM = Feet per minute

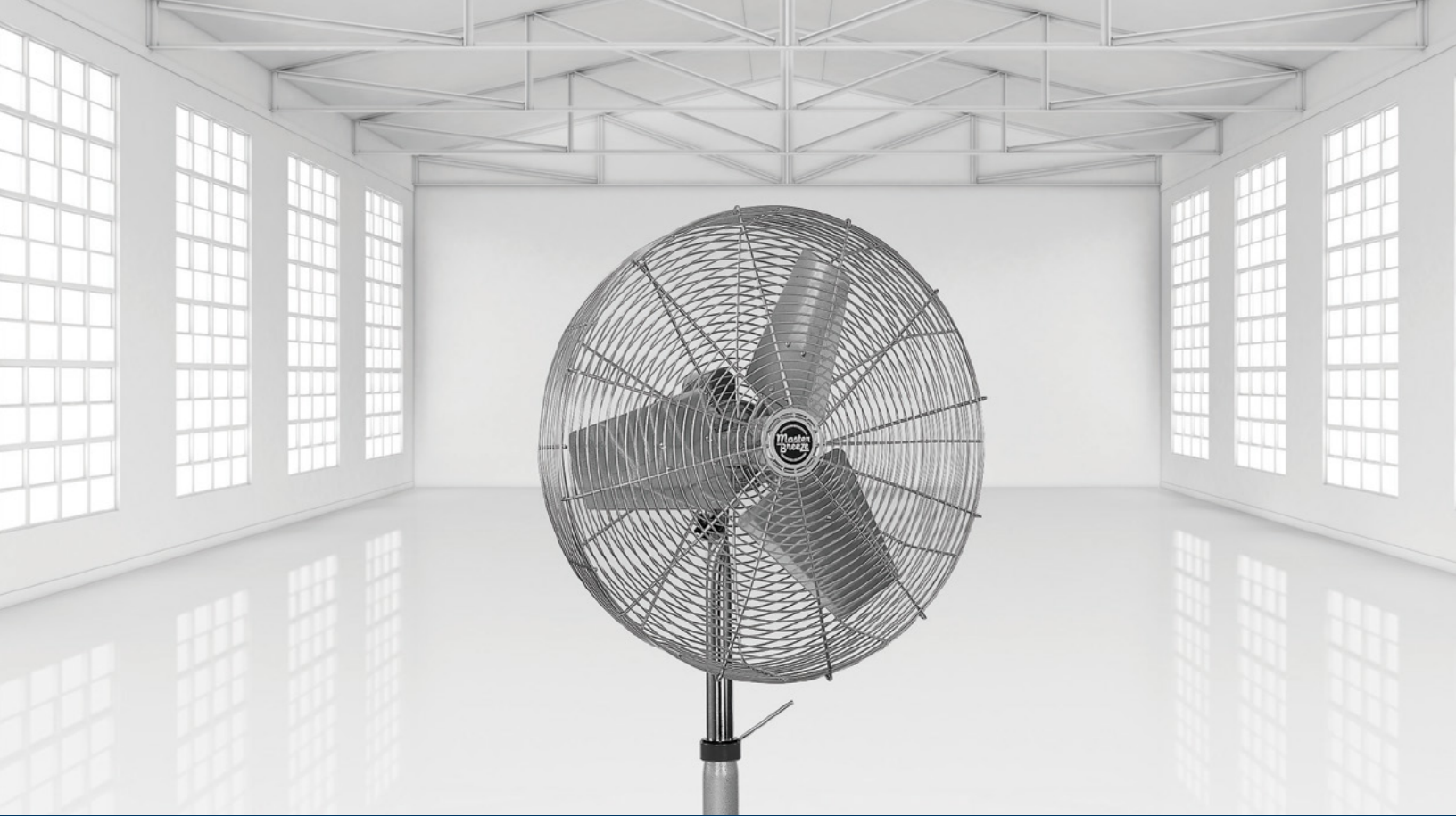
Testing performed in a controlled environment. Actual airflow may vary due to operating environment



 **PEDESTAL  
FANS**

Moving air comfortably

AMB - MASTER BREEZE FANS

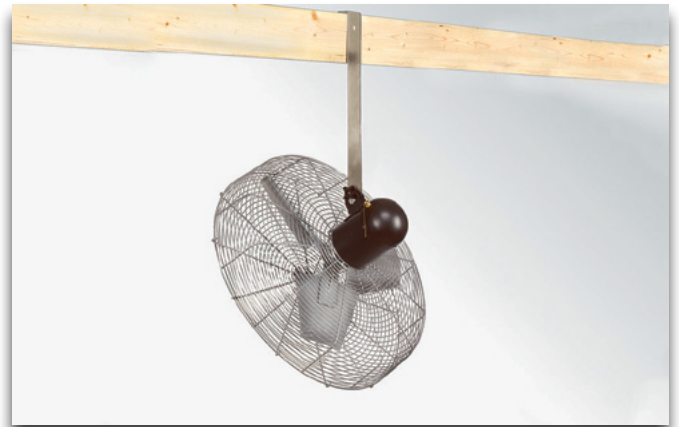
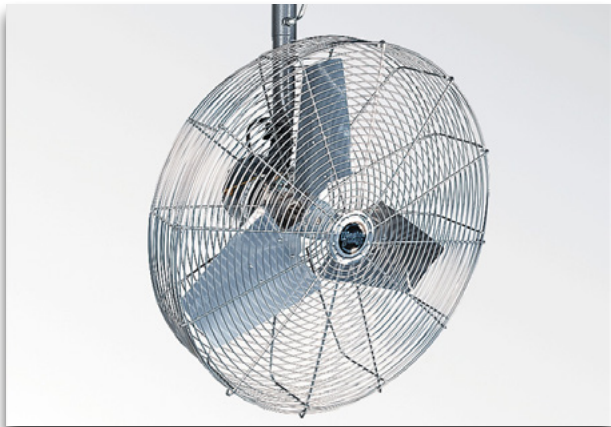


# THE MASTER BREEZE™

Triangle's Master Breeze pedestal fans have a superior design and proven performance that provide powerful, convenient air circulation wherever its needed. Master Breeze fans are perfect for factories, shops, garages and event venues.

## Features

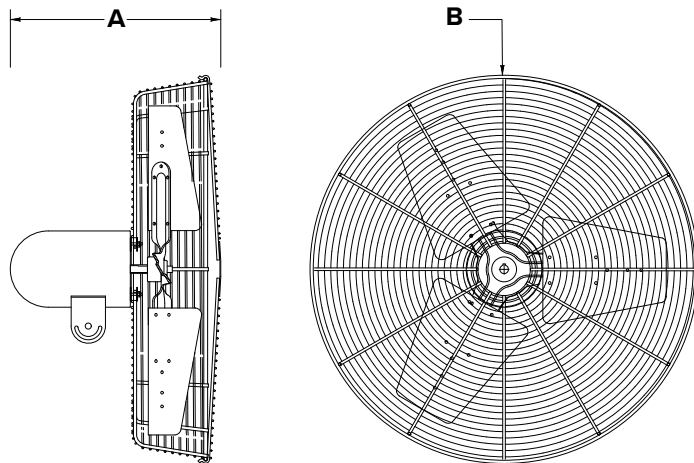
- Easy to assemble
- Balanced three paddle aluminum blade
- 115V, 60Hz, single phase motors with thermal overload protection
- Three-speed motor
- 10' power cord





## MASTER BREEZE

Model	Diameter	HP	Amps	CFM	RPM	Approximate Weight
AMB2421H	24"	1/4	6.2	6,100 / 4,300	1100	66
AMB2423H	24"	1/2	6.2	7,800 / 5,300	1100	66
AMB3021H	30"	1/4	6.2	7,200 / 5,400	1100	66
AMB3023H	30"	1/2	6.2	8,800 / 6,400	1100	66



### Dimensions "AMB" Series

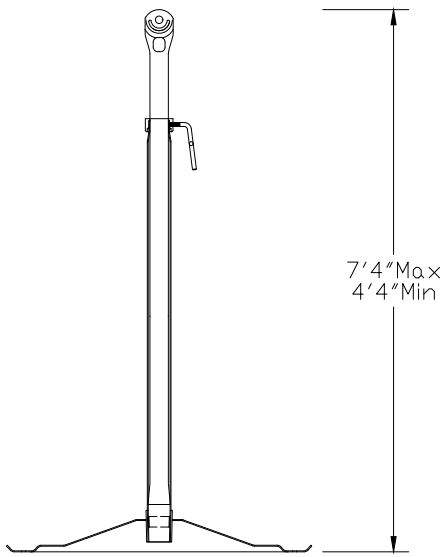
Diameter	A	B
24"	16"	28"
30"	16"	34"

### Available Mounting Equipment

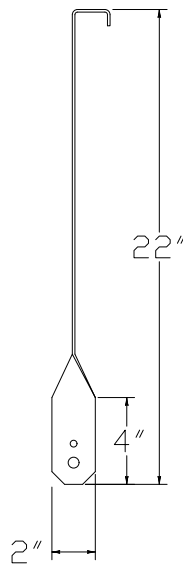
Description	Part Number
Pedestal Base	2430PB-AMB
Column Mount	2430WC
Ceiling Mount	2430S

# MASTER BREEZE MOUNTING EQUIPMENT

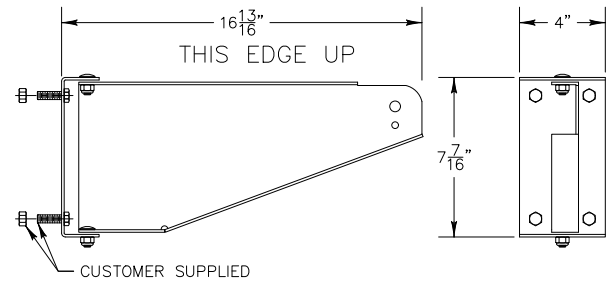
Triangle's Master Breeze is designed to accommodate a wide range of mounting options. Our mounting options include a pedestal base, a ceiling mount and a column mount. Mounting hardware not included.



Pedestal Base



Suspension Mount



Column Mount



▶ **HIGH  
VELOCITY  
FANS**

Moving air rapidly

JETAIRE HIGH VELOCITY FANS AND MOUNTS

TP HIGH VELOCITY FANS





# JETAIRE™ HIGH VELOCITY

Triangle's JetAire high velocity fans are manufactured with durable polypropylene barrels and equipped with totally enclosed motors. Our 54" model is built with a bronze polyester powder coated steel housing. JetAire high velocity fans are ideal for industrial, commercial and golf course applications.

## Features

- Available in 24", 30" and 54" diameters
- Moves a large concentration of air at distances of 100' or more
- Tiltable head for desired direction of airflow
- Available in Hunter Green or Industrial Gray
- Oscillator available in 115, 230, or 460 volt





## DIRECT DRIVE JETAIRE

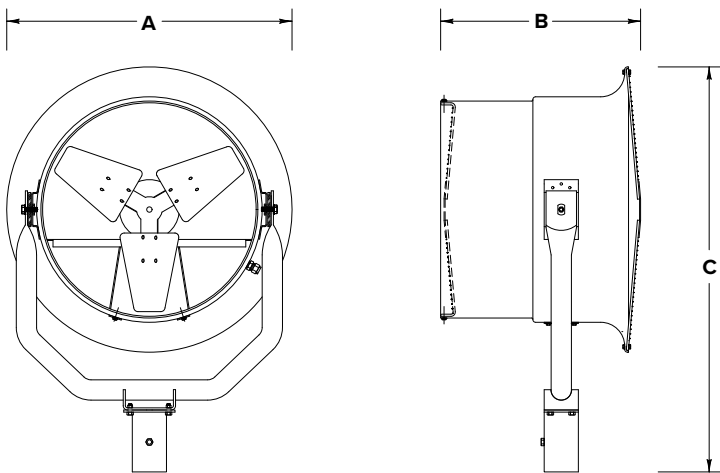
- Direct drive
- Optional mounting equipment
- Choice of Hunter Green or Industrial Gray housing
- Totally enclosed motors
- Oscillator available in 115v, 230v, or 460v

### WITHOUT AN OSCILLATOR

Diam.	HP	CFM	Approx. Weight	1-Phase		3-Phase	
				115V	230V	230V	460V
24"	1/2	5,600	173	HV2413-V	HV2413-W	HV2413-Y	HV2413-Z
	1	5,900	180	HV2415-V	HV2415-W	HV2415-Y	HV2415-Z
30"	1/2	7,900	185	HV3013-V	HV3013-W	HV3013-Y	HV3013-Z
	1	10,600	222	HV3015-V	HV3015-W	HV3015-Y	HV3015-Z

### WITH AN OSCILLATOR

Diam.	HP	CFM	Approx. Weight	1-Phase		3-Phase	
				115V	230V	230V	460V
24"	1/2	5,600	183	HV2413OC-V	HV2413OC-W	HV2413OC-Y	HV2413OC-Z
	1	5,900	188	HV2415OC-V	HV2415OC-W	HV2415OC-Y	HV2415OC-Z
30"	1/2	7,900	196	HV3013OC-V	HV3013OC-W	HV3013OC-Y	HV3013OC-Z
	1	10,600	230	HV3015OC-V	HV3015OC-W	HV3015OC-Y	HV3015OC-Z



#### Dimensions "HV" Series

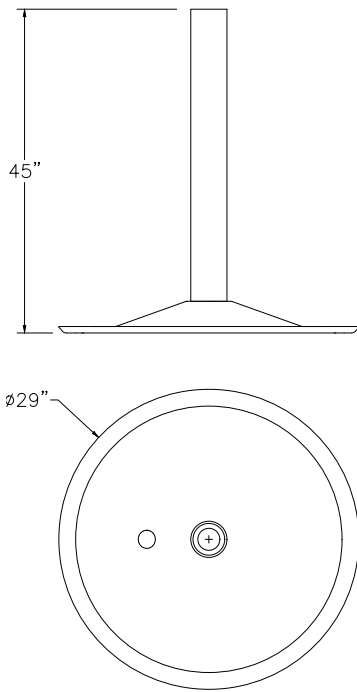
Diameter	A	B	C
24"	34"	23"	47"
30"	40"	23"	52"

#### Available Mounting Equipment

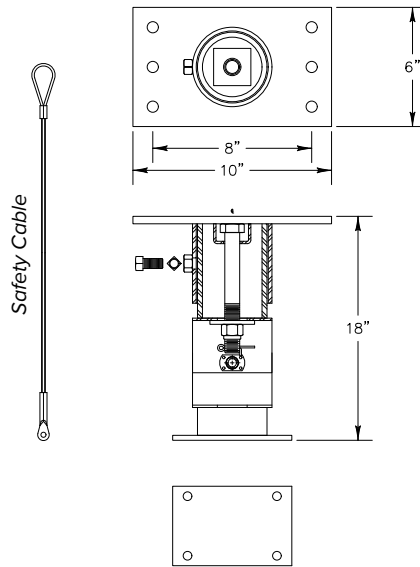
Description	Non-Oscillating	Oscillating
Pedestal Base	PB 2430	
Vertical Mounting Bracket	VMB 2430	VMB 2430-OSC
Horizontal Mounting Bracket	HMB 2430	
6' Pole	POLE2430 6'	
10' Pole	POLE2430 10'	

# MOUNTING EQUIPMENT (DIRECT DRIVE JETAIRE™ ONLY)

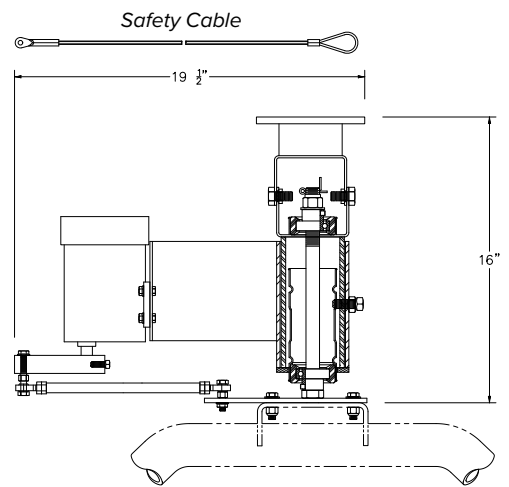
Triangle's JetAire is designed to accommodate a wide range of mounting options. Our mounting options include a pedestal base for maneuverability, a vertical mounting bracket for ceiling attachments (safety cable included), a horizontal mounting bracket for column mounts and 6' or 10' poles for permanent in concrete placement. All JetAire mounting equipment is fabricated out of steel and finished with a bronze polyester powder coat.



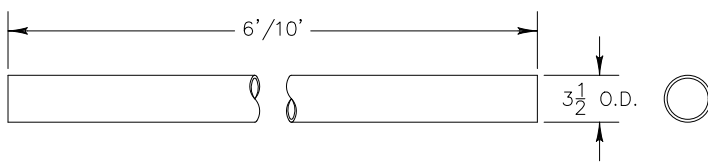
Pedestal Base



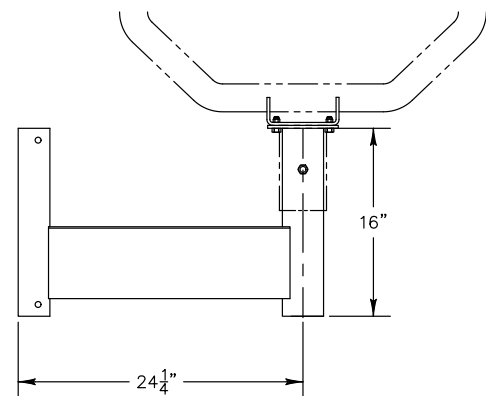
Vertical Mounting Bracket  
(Non-Oscillating)



Vertical Mounting Bracket  
(Oscillating)



Pole



Horizontal Mounting Bracket



## BELT DRIVE JETAIRE

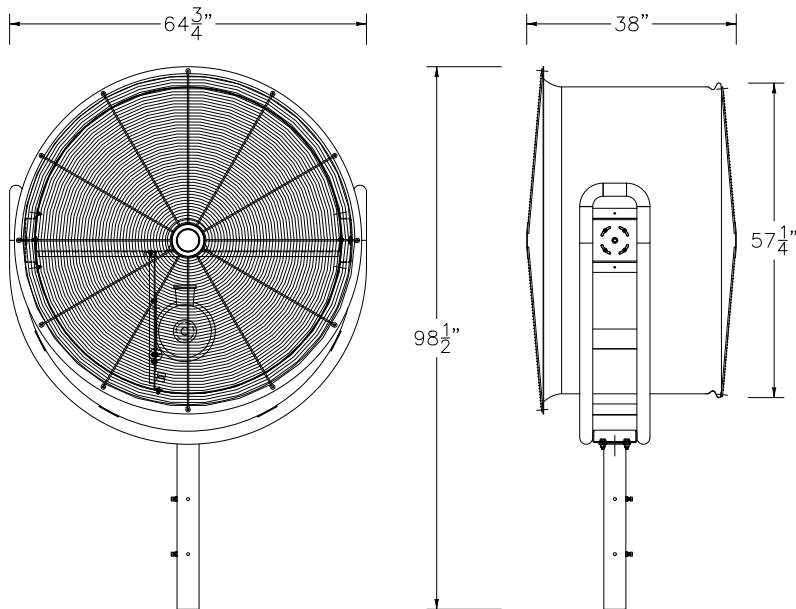
- Belt drive
- Available with or without oscillation
- Single- or three-phase motors
- Bronze polyester powder coat finish
- Totally enclosed motors

### WITHOUT AN OSCILLATOR

Diam.	HP	CFM	Approx. Weight	1-Phase	3-Phase	
				230V	230V	460V
54"	3	27,900	513	HV5418-W	HV5418-Y	HV5418-Z
	5	42,500	548	HV5419-W	HV5419-Y	HV5419-Z

### WITH AN OSCILLATOR

Diam.	HP	CFM	Approx. Weight	1-Phase	3-Phase	
				230V	230V	460V
54"	3	27,900	513	HV5418OC-W	HV5418OC-Y	HV5418OC-Z
	5	42,500	548	HV5419OC-W	HV5419OC-Y	HV5419OC-Z







# TP HIGH VELOCITY

Triangle's "TP" Series high velocity direct drive air circulators are easily installed units that offer economical, efficient air cooling for almost any kind of indoor/outdoor location: manufacturing areas, furnace rooms, welding booths, storage and drying rooms, warehouses, spot-cooling of equipment, stockyards, barns, cotton gins, saw mills, shipyards, drilling rigs, live poultry in trucks and hundreds of others. The "TP" fan produces air circulation that will keep an area from becoming stagnant with hot or polluted air.

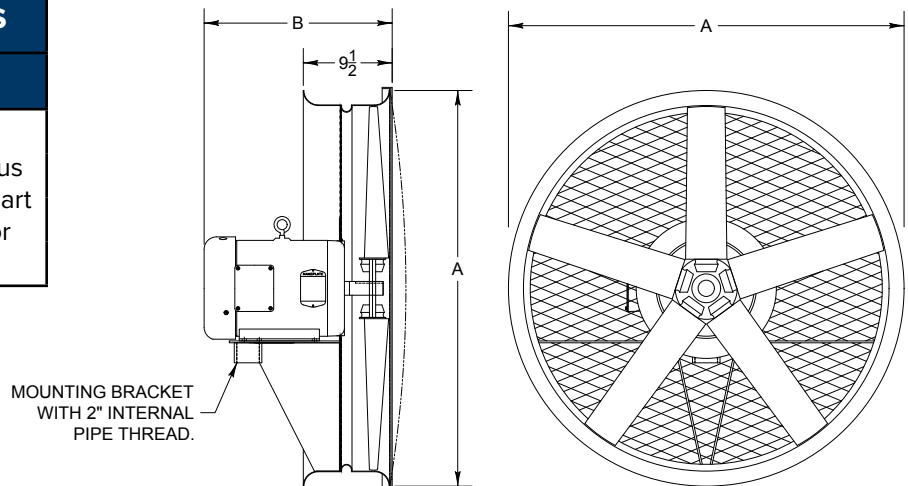
## Features

- Standard sizes are 24," 30," 36" and 42"
- High efficiency, non-overloading airfoil cast aluminum blades
- All welded, all steel construction
- Heavy gauge, expanded metal safety guards
- Direct drive
- Totally enclosed motors
- Durable polyester powder coated finish
- OSHA compliant guards available



Diam	HP	CFM	RPM	OSHA GUARD		Standard Guard	
				1 Phase	3 Phase	1 Phase	3 Phase
24"	1/2 HP	5,420	1140	TP2413T-U-OG-1200	TP2413T-X-OG-1200	TP2413T-U-RG-1200	TP2413T-X-RG-1200
	3/4 HP	6,579	1140	TP2414T-U-OG-1200	TP2414T-X-OG-1200	TP2414T-U-RG-1200	TP2414T-X-RG-1200
	1 HP	7,240	1140		TP2415T-X-OG-1200		TP2415T-X-RG-1200
		7,115	1750	TP2415T-U-OG-1800	TP2415T-X-OG-1800	TP2415T-U-RG-1800	TP2415T-X-RG-1800
	1 1/2 HP	8,320	1750	TP2416T-U-OG-1800	TP2416T-X-OG-1800	TP2416T-U-RG-1800	TP2416T-X-RG-1800
30"	1/2 HP	7,518	860		TP3013T-X-OG-900		TP3013T-X-RG-900
	3/4 HP	9,062	860		TP3014T-X-OG-900		TP3014T-X-RG-900
	1 HP	9,966	1140		TP3015T-X-OG-1200		TP3015T-X-RG-1200
	2 HP	12,012	1140		TP3017T-X-OG-1200		TP3017T-X-RG-1200
	3 HP	15,300	1140		TP3018T-X-OG-1200		TP3018T-X-RG-1200
36"	3/4 HP	12,003	860		TP3614T-X-OG-900		TP3614T-X-RG-900
	1 HP	15,046	860		TP3615T-X-OG-900		TP3615T-X-RG-900
	2 HP	16,050	1140		TP3617T-X-OG-1200		TP3617T-X-RG-1200
	3 HP	19,700	1140		TP3618T-X-OG-1200		TP3618T-X-RG-1200
	5 HP	21,370	1140		TP3619T-X-OG-1200		TP3619T-X-RG-1200
42"	2 HP	19,892	860		TP4217T-X-OG-900		TP4217T-X-RG-900
	3 HP	22,870	860		TP4218T-X-OG-900		TP4218T-X-RG-900
		22,745	1140		TP4218T-X-OG-1200		TP4218T-X-RG-1200
	5 HP	28,810	860		TP4219T-X-OG-900		TP4219T-X-RG-900
		28,791	1140		TP4219T-X-OG-1200		TP4219T-X-RG-1200

Dimensions "TP" Series		
Diameter	A	B
24"	28"	9-1/2" Plus outside part of motor
30"	34"	
36"	40"	
42"	46"	





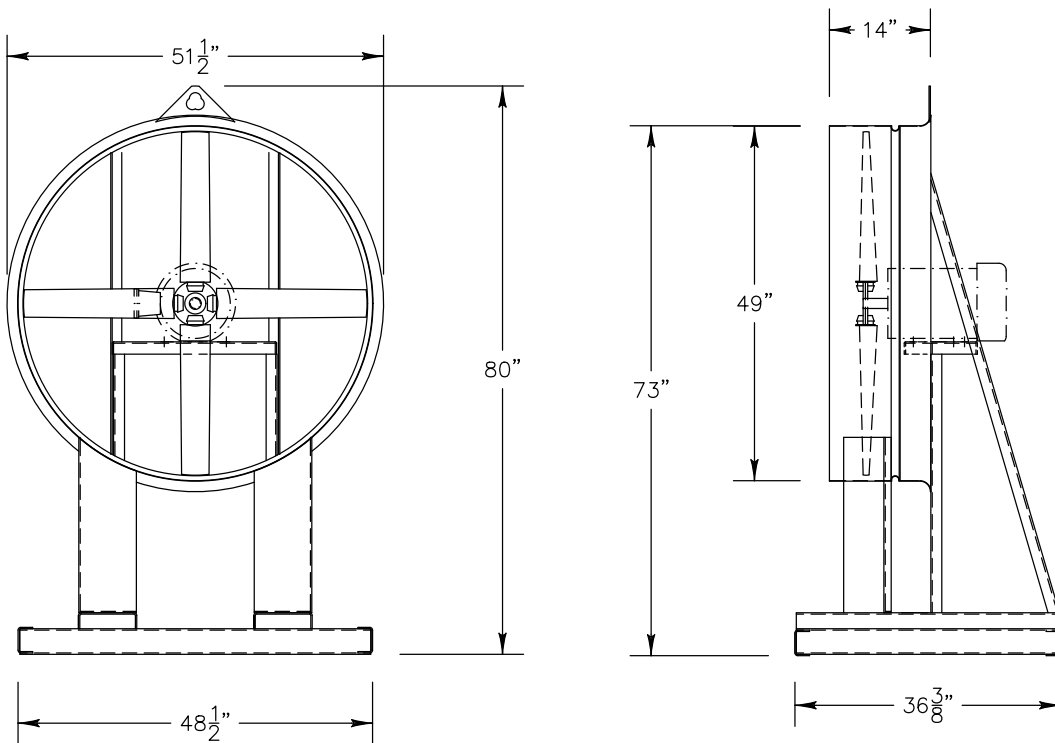
## TP BUG BLASTER

The TP Bug Blaster is designed for extreme conditions and to move a massive quantity of air. With an all welded construction, a flared orifice for efficient airflow, a polyester powder coated finish, forklift pockets and a lifting eye, the TP Bug Blaster is ideal for oil rigs, steel mills and heavy industrial applications.

**See factory for custom motor configurations**

Diam	HP	CFM	RPM	OSHA GUARD	
				TE 3PH	HAZARDOUS LOCATION* 3PH
48"	3 HP	32,700	880	TPBB4818T-X-900	
	5 HP	36,200	880	TPBB4819T-X-900	
		34,500	1170	TPBB4819T-X-1200	TPBB4819HL-X-1200

\*See page 105 for information on hazardous location models.





▶ **WHOLE HOUSE  
FANS AND  
SHUTTERS**

Moving air economically

COMFORT COOLER BELT DRIVE

STANDARD CEILING SHUTTER

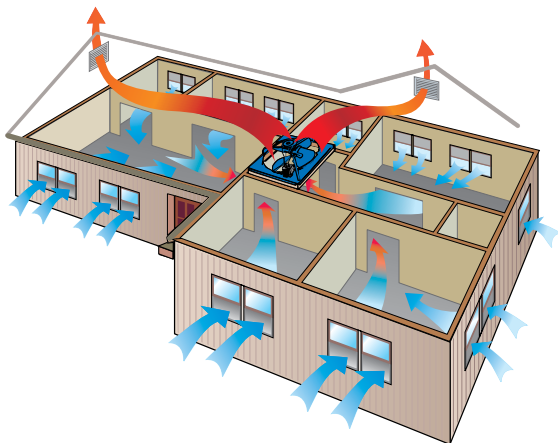
NO-CUT JOIST CEILING SHUTTER





# THE COMFORT COOLER

Triangle's Comfort Cooler belt drive whole house fans are an efficient, economical way to cool your home. Comfort Cooler whole house fans feature all welded construction for quiet operation. Our Comfort Cooler Fans will cool your home to the outside temperature 5 to 10 times faster than central air conditioning at less than 1/10th the cost!



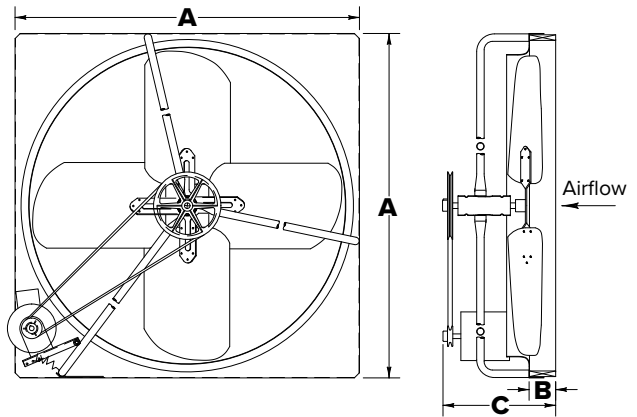
## Features

- Two-speed wall switch and switch plate included
- Automatic belt tensioner
- Deep pitch four-wing propeller for maximum air movement
- Bronze polyester powder coated finish
- Rubber mounted ball bearings sealed for life
- 1" x 4" wood frame with rubber vibration and noise dampener
- Heavy gauge steel welded construction for long life and quieter operation
- UL listed
- Optional 12 hour timer and thermostat available (each sold separately)

# COMFORT COOLER

BLADE DIAMETER	HP	AMP	RPM HI / LO	CFM HI / LO	Square Footage Cooled	Min Free Exhaust Area Required	SHIP WEIGHT (LBS)	MODEL
24	1/3	6.7	560/370	5,600/3,700	up to 800	8 sq ft	57	CC2422
30	1/3	6.7	455/305	7,600/5,100	800-1,200	10 sq ft	64	CC3022
	1/2	8.2	460/305	8,400/5,600	900-1,500	11 sq ft	69	CC3023
36	1/3	6.7	420/280	9,700/6,400	1,200-1,800	12 sq ft	73	CC3622
	1/2	8.2	415/275	10,600/7,100	1,500-2,500	16 sq ft	78	CC3623
42	1/2	8.2	410/270	12,600/8,400	2,200-3,200	18 sq ft	85	CC4223
48	1/2	8.2	305/200	14,500/9,700	2,500-4,000	22 sq ft	110	CC4823

BLADE DIAMETER	DIMENSIONS		
	A	B	C
24"	30"	4"	15"
30"	34"	4"	15"
36"	40"	4"	15"
42"	46"	4"	15"
48"	52"	4"	15"



OPTIONAL TIMER		OPTIONAL THERMOSTAT	
12 Hour	FG-12HRTIM	40°F - 110°F	TS-115/230-1



TS-115/230-1: Only compatible with single phase motors up to 1 HP

COMFORT COOLER SHUTTER PAIRING GUIDE		
MODEL	Standard Cooling Shutter	No-Cut Joist Shutter
24"CC	AS10	CSS-24
30"CC	AS13	CSS-30
36"CC	AS16	CSS-36
42"CC	AS18	CSS-42
48"CC	AS26	





## STANDARD CEILING SHUTTER

- Heavy duty extruded aluminum frames and louvers
- Polyethylene bearing for smooth, silent operation
- Shutters open and close automatically, keeping out air, insects and dust
- White enamel finish

Model	Fan Size	Outside Dimensions	Inside Dimensions	Approximate Weight
AS10	24"	26" x 26"	24" x 24"	6
AS13	30"	32" x 38"	30" x 36"	9
AS16	36"	34" x 45"	32" x 43"	12
AS18	42"	36" x 48"	34" x 46"	14
AS26	48"	38" x 58"	36" x 56"	16



## NO-CUT JOIST SHUTTER

- Heavy duty extruded aluminum frames and louvers
- Polyethylene bearing for smooth, silent operation
- Shutters open and close automatically, keeping out air, insects and dust
- White enamel finish

Opening Sizes: Installs centered on a joist with 16" or 24" centers. Cut two openings, one on each side of center joist per shutter model.

Model	Fan Size	Outside Dimensions	Inside Dimensions	Opening Size	Approximate Weight
CSS-24	24"	24" x 32"	22" x 30"	10 1/4" x 30 1/4"	9
CSS-30	30"	32" x 35"	30" x 33"	14 1/4" x 33 1/4"	10
CSS-36	36"	32" x 43"	30" x 41"	14 1/4" x 41 1/4"	11
CSS-42*	42"	38" x 49"	36" x 47"	17 1/4" x 47 3/4"	15

\*For 24" O.C. joists only



**▶ AGRICULTURAL  
FANS**

Moving air continually

PFG - BELT AND DIRECT DRIVE AGRICULTURAL FANS

SLW - SLANT WALL AGRICULTURAL FANS





# THE PFG SERIES

Triangle's "PFG" series agricultural fans are designed to move and replace stagnant air in your buildings or to cool buildings in livestock applications. Our "PFG" series fans are offered in belt or direct drive models and have an all galvanized construction. The "PFG" Series is ideal for livestock applications, greenhouses and many others.

## Features

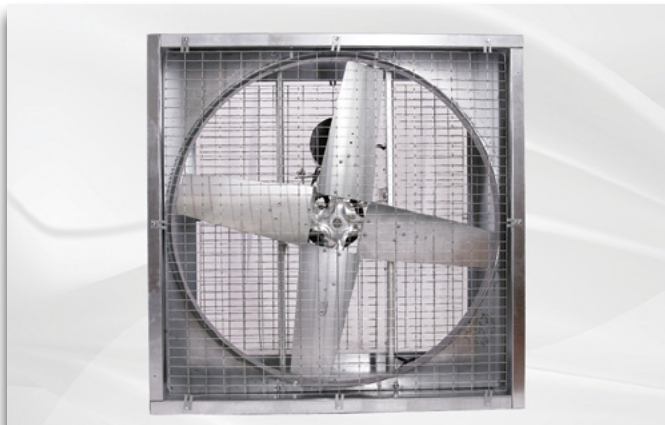
- Rugged heavy gauge galvanized housing, frame and blade
- Galvanized welded bird screen on both front and back
- Rolled inlet venturi for efficient airflow
- Totally enclosed motor
- Single-phase fans are factory wired 230 volt and provided with a power cord with molded plug
- Three-phase models available
- Belt driven fans are designed with Triangle's "X-Wing" belt tensioner providing low maintenance and extending the life of the belt and motor

## OPTIONAL TEMP CONTROL

Thermostat

TS-115/230-1

TS-115/230-1: Only compatible with single phase motors up to 1 HP



# DIRECT DRIVE

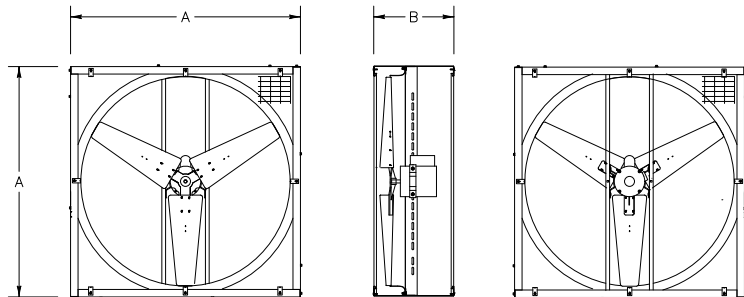


- Rugged heavy gauge galvanized housing, frame and blade
- Galvanized welded bird screen on both front and back
- Rolled inlet venturi for efficient airflow
- Totally enclosed motors
- Consult factory for 115V models

Diameter	Model	Volts	HP	Amps	RPM	0.00" SP		0.05" SP		0.10" SP		Approximate Weight
						CFM	CFM/Watt	CFM	CFM/Watt	CFM	CFM/Watt	
36"	PFG3613D	230/1	1/2	3.0	843	10,517	18.7	9,838	17.1	9,108	15.0	91
	PFG3615D	230/1	1	4.6	840	13,400	13.5	12,800	12.5	12,060	11.6	104
	PFG3615D-X	230/460/3	1	5.2/2.6	820	13,080	14.5	12,490	13.3	11,770	12.3	104
42"	PFG4213D	230/1	1/2	3.0	794	13,060	18.9	11,680	17.8	10,300	15.8	126
	PFG4215D-X	230/460/3	1	5.2/2.6	833	16,200	16.3	15,300	15.0	14,400	13.8	144
48"	PFG4815D	230/1	1	4.6	839	18,440	18.6	17,060	16.7	15,730	15.1	166
	PFG4815D-X	230/460/3	1	5.2/2.6	839	18,620	20.6	17,230	18.4	15,890	16.6	166

\*Performance data includes the effect of a shutter

Dimensions "PFG" Direct Drive		
Diameter	A	B
36"	40 3/4"	16"
42"	46 3/4"	16"
48"	52 3/4"	16"





## BELT DRIVE

- Rugged heavy gauge galvanized housing, frame and blade
- Galvanized welded bird screen on both front and back
- Rolled inlet venturi for efficient airflow
- Totally enclosed motors
- Consult factory for 115V models

### FOUR BLADE MODELS

Diameter	Model	Volts	HP	Amps	RPM	0.00" SP		0.05" SP		0.10" SP		Approximate Weight
						CFM	CFM/Watt	CFM	CFM/Watt	CFM	CFM/Watt	
36"	PFG3613	230/1	1/2	3.8	550	10,406	16.3	9,478	14.3	8,432	12.4	132
42"	PFG4213	230/1	1/2	3.8	499	12,678	19.9	11,736	17.4	10,615	15.2	160
48"	PFG4815	230/1	1	5.5	475	19,504	18.5	18,056	16.8	16,330	15.0	194
54"	PFG5415	230/1	1	5.5	450	22,917	22.9	21,048	20.6	18,784	17.7	237

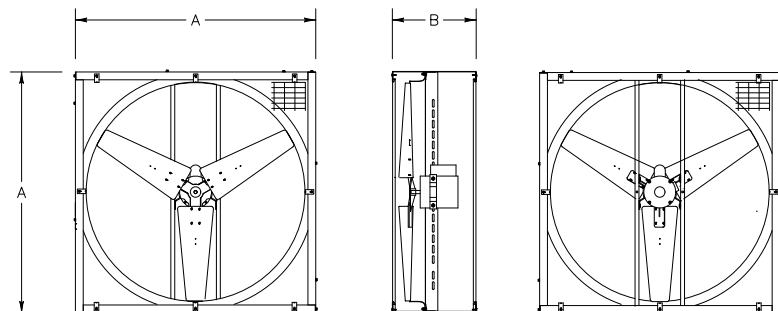
### SIX BLADE MODELS

Diameter	Model	Volts	HP	Amps	RPM	0.00" SP		0.05" SP		0.10" SP		Approximate Weight
						CFM	CFM/Watt	CFM	CFM/Watt	CFM	CFM/Watt	
36"	PFG36136	230/1	1/2	3.8	560	11,010	16.5	10,450	14.6	9,820	13.3	137
42"	PFG42136	230/1	1/2	3.8	494	13,610	20.4	12,050	17.7	11,215	15.1	165
48"	PFG48156	230/1	1	5.5	482	19,723	18.5	18,436	16.7	16,992	14.9	201
54"	PFG54156	230/1	1	5.5	419	23,214	22.0	21,566	19.8	19,708	17.6	242

\*Performance data includes the effect of a shutter

#### Dimensions "PFG" Belt Drive

Diameter	A	B
36"	40 3/4"	20"
42"	46 3/4"	20"
48"	52 3/4"	20"
54"	60 3/4"	20"



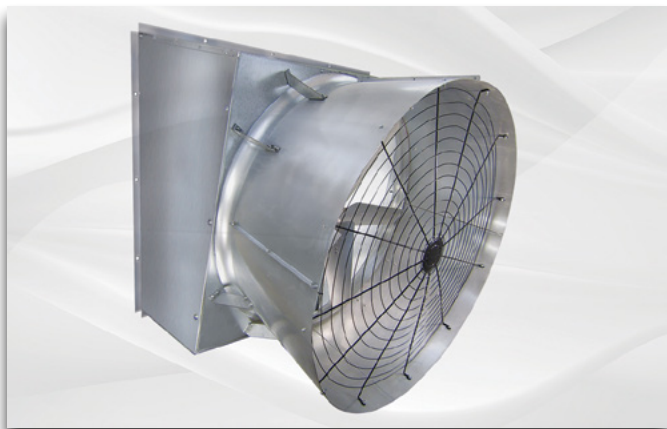


## THE SLW SERIES

Triangle's "SLW" Series agricultural fans are designed to move and replace stagnant air in your buildings while shedding any water or snow buildup on the exterior. The "SLW" Series is ideal for livestock applications, greenhouses and many others and can be used to exhaust or circulate air in a building. They are offered in direct or belt drive models.

### Features

- Rugged heavy gauge galvanized housing, frame and blade
- IWS series exhaust shutter on intake side
- Rolled inlet venturi for efficient airflow
- Totally enclosed motors
- Single-phase fans are factory wired 230 volt and provided with a power cord and a molded plug
- Three-phase models available
- Belt driven fans are designed with Triangle's "X-Wing" belt tensioner providing low maintenance and extending the life of the belt and motor
- Optional temperature (40F° - 110F°) control (sold separately)







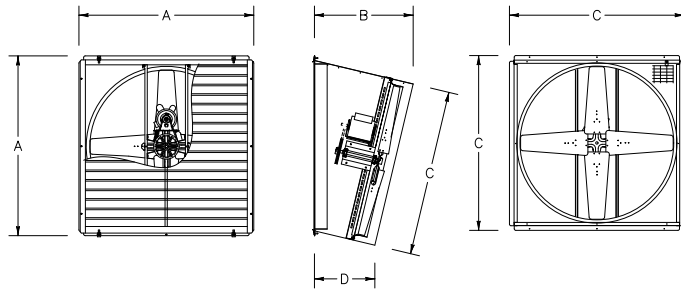
## DIRECT DRIVE SLW

- Rugged heavy gauge galvanized housing, frame and blade
- Galvanized welded bird screen on both front and back
- Rolled inlet venturi for efficient airflow
- Totally enclosed motors

Diameter	Model	Volts	HP	Amps	RPM	0.00" SP		0.05" SP		0.10" SP		Approximate Weight
						CFM	CFM/Watt	CFM	CFM/Watt	CFM	CFM/Watt	
36"	SLW3613D	230/1	1/2	3.0	852	10,220	16.8	9,410	14.6	8,420	13.1	187
42"	SLW4213D	230/1	1/2	3.0	810	12,210	18.5	10,680	15.4	9,170	12.3	196
48"	SLW4815D	230/1	1	4.6	827	18,600	18.3	17,000	15.7	15,400	13.4	237
48"	SLW4815D-X	230/460/3	1	5.2/2.6	827	18,600	18.3	17,000	15.7	15,400	13.4	237

\*Performance data includes the effect of a shutter and discharge cone.

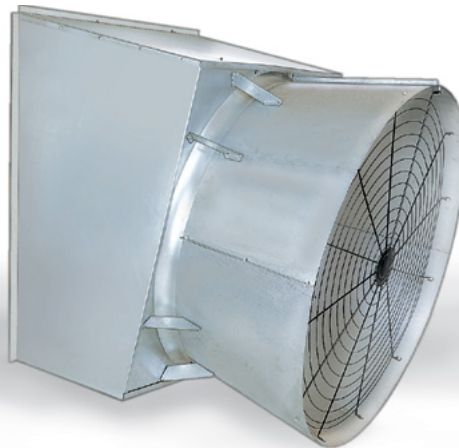
Dimensions					
Diameter	A	B	C	D	E
36"	42"	30"	40 1/2"	20 1/2"	40 1/2"
42"	48"	31"	46 1/2"	20"	46 1/2"
48"	54"	32"	52 1/2"	19 1/2"	52 1/2"



## DISCHARGE CONES

- Increases airflow without increasing horsepower
- Galvanized construction
- Must be ordered with fan
- Field assembly required, assembly hardware and wire guard included

Model	Size	Weight
PFC 36	36"	48
PFC 48	48"	63



## OPTIONAL TEMP CONTROL

Thermostat

TS-115/230-1

OPTIONAL



THERMOSTAT

TS-115/230-1: Only compatible with single phase motors up to 1 HP



## BELT DRIVE SLW

- Rugged heavy gauge galvanized housing, frame and blade
- Galvanized welded bird screen on both front and back
- Rolled inlet venturi for efficient airflow
- Totally enclosed motors

### FOUR BLADE MODELS

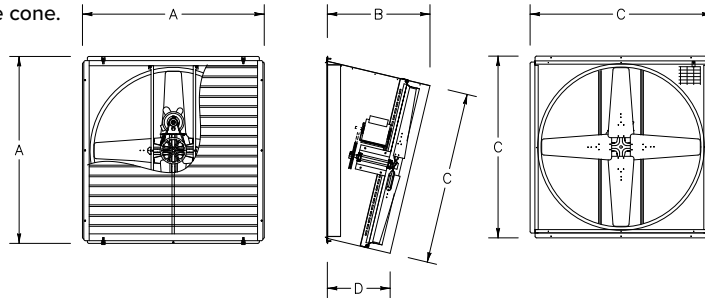
Diameter	Model	Volts	HP	Amps	RPM	0.00" SP		0.05" SP		0.10" SP		Approximate Weight
						CFM	CFM/Watt	CFM	CFM/Watt	CFM	CFM/Watt	
36"	SLW3613	230/1	1/2	3.8	550	10,718	16.9	9,952	14.9	9,022	13.1	195
42"	SLW4213	230/1	1/2	3.8	499	13,058	20.4	12,323	18.2	11,358	16.0	214
48"	SLW4815	230/1	1	5.5	475	20,089	19.0	18,959	17.6	17,473	15.8	260

### SIX BLADE MODELS

Diameter	Model	Volts	HP	Amps	RPM	0.00" SP		0.05" SP		0.10" SP		Approximate Weight
						CFM	CFM/Watt	CFM	CFM/Watt	CFM	CFM/Watt	
36"	SLW36136	230/1	1/2	3.8	550	11,340	16.9	10,973	15.3	10,507	14.0	212
42"	SLW42136	230/1	1/2	3.8	499	14,018	20.9	12,653	18.5	12,000	15.9	235
48"	SLW48156	230/1	1	5.5	475	20,477	22.6	19,396	30.2	18,331	18.5	272

\*Performance data includes the effect of a shutter and discharge cone.

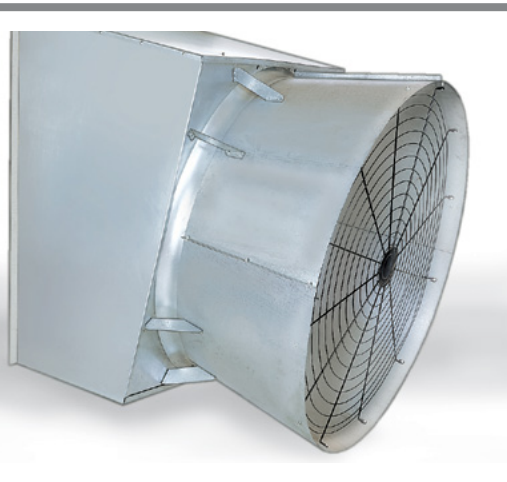
Dimensions					
Diameter	A	B	C	D	E
36"	42"	30"	40 1/2"	20 1/2"	40 1/2"
42"	48"	31"	46 1/2"	20"	46 1/2"
48"	54"	32"	52 1/2"	19 1/2"	52 1/2"



## DISCHARGE CONES

- Increases airflow without increasing horsepower
- Galvanized construction
- Must be ordered with fan
- Field assembly required, assembly hardware and wire guard included

Model	Size	Weight
PFC 36	36"	48
PFC 48	48"	63





▶ **WALL EXHAUST  
AND SUPPLY  
FANS & SHUTTERS**

Moving air *effectively*

**GPX - GENERAL PURPOSE FANS WITH SHUTTERS**

**V - INDUSTRIAL EXHAUST FANS**

**RV - INDUSTRIAL SUPPLY FANS**

**VID - DIRECT DRIVE EXHAUST FANS**

**VI - HEAVY DUTY INDUSTRIAL EXHAUST FANS**

**RVI - HEAVY DUTY INDUSTRIAL SUPPLY FANS**

**IWS - SINGLE AND DOUBLE PANEL EXHAUST SHUTTERS**

**RIWS - SINGLE AND DOUBLE PANEL SUPPLY SHUTTERS**

**VIK - INDUSTRIAL EXHAUST PACKAGES**

**FHIR - TRUE REVERSIBLE EXHAUST AND SUPPLY FANS**

**FHI - SEVERE DUTY INDUSTRIAL EXHAUST OR SUPPLY FANS**



# BEST PRACTICES

When addressing ventilation problems, we recommend closely observing the following best practices.

## GENERAL VENTILATION

- ▶ Locate fans to blow with the prevailing winds.
- ▶ Locate intake areas to take advantage of positive pressure produced by prevailing winds.
- ▶ Locate fans with respect to intake area so that maximum scavenging effect will be obtained by fresh air sweeping over working area.
- ▶ Provide fan intake areas at least 20% greater than fan wheel discharge area.
- ▶ If filters are used on intakes, increase intake area as much as practical to allow minimum pressure loss due to filter resistance.
- ▶ Consider possible suction effect of higher powered fans in other areas which may buck proposed new installation.
- ▶ Do not locate fans blowing opposite each other if it can be avoided. When necessary separate by at least six fan diameters.
- ▶ If air over motor exceeds normal temperatures use Class B insulated motor, provide external cooling, or mount motor outside of the airstream.
- ▶ If the air going over the motor is hazardous in composition, use explosion proof motor or mount motor out of airstream. For corrosive or wet atmospheres take similar precautions.
- ▶ Use non-sparking construction for hazardous gases.
- ▶ Provide blast coils or some means of tempering incoming air where cold weather is encountered.

## SYSTEM VENTILATION

- ▶ Collect fumes and heat as near the source as possible.
- ▶ Make all runs of ducts as short and direct as possible.
- ▶ Keep duct velocity as low as practical considering fumes to be handled and length of run.
- ▶ Keep intake and exhaust ducts 20% over fan wheel area.
- ▶ If turns are required in the duct system use long radius elbows or turning vanes (splitters) to keep resistance at a minimum.
- ▶ After calculating duct resistance, select a fan having reserve capacity beyond the pressure-volume point you have determined.
- ▶ Observe intake-discharge suggestions listed under General Ventilation, also points regarding motor in airstream.
- ▶ Select point and height of discharge areas to eliminate recirculation into other plant areas or the development of complaints from adjoining properties.
- ▶ If corrosive, high temperature or abrasive conditions are encountered, be sure that fan parts are properly treated to achieve maximum protection to conditions. Special alloys, plastics, special paints or coatings may be necessary.
- ▶ Be sure hood areas is ample, height and overlap are such that the most effective collection is obtained.



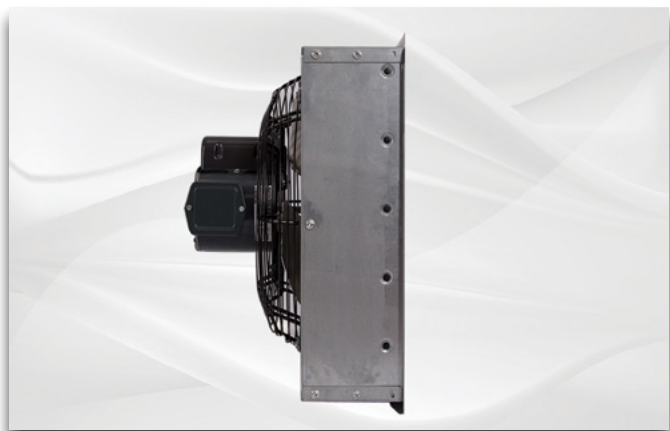


# GENERAL PURPOSE EXHAUST FANS

Triangle's General Purpose Exhaust fans are ruggedly designed for continuous operation for exhausting workshops, barns, poultry houses, greenhouses, garages or anywhere air movement is required to control condensation and exhaust stagnant air.

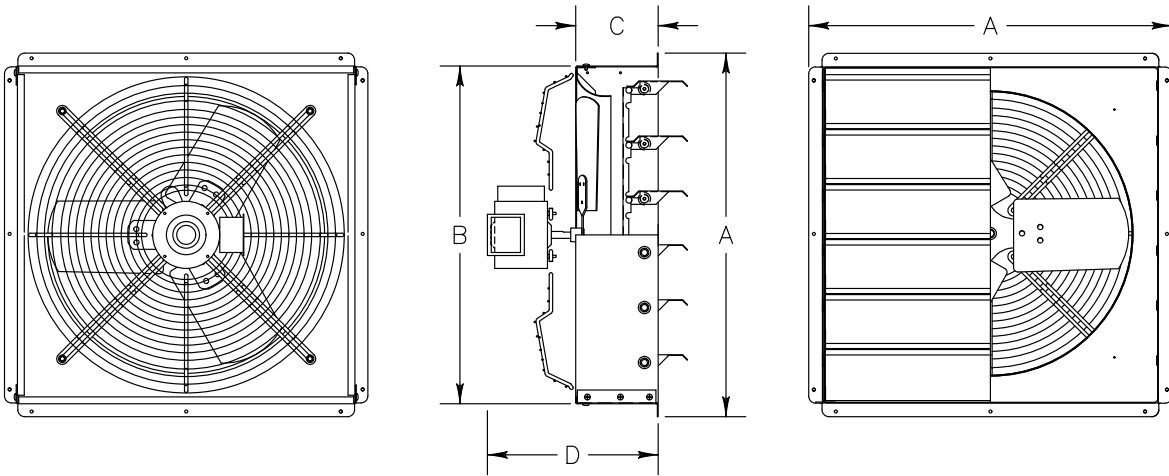
## Features

- Available with 12," 16," 20," 24" and 30" fan blades.
- Ships fully assembled and ready to install
- 115 volt totally enclosed air over (TEAO) thermally protected motor
- Heavy gauge galvanized steel frame to reduce rust and corrosion
- Built-in shutter with rigid blades for long lasting, continuous operation
- Spiral guard has a polyester powder coat finish and meets OSHA requirements
- Shutter opens and closes automatically when the fan is turned on and off
- Optional temperature (40F° - 110F°) control (sold separately)



# GPX SERIES

Model	Diameter	CFM	RPM	HP	Amps
GPX1210	12"	1,580	1625	1/6	2.2
GPX1611	16"	2,600	1650	1/4	2.3
GPX2011	20"	3,200	1650	1/4	2.3
GPX2413	24"	5,460	1100	1/2	6.1
GPX3013	30"	6,800	1100	1/2	6.1



## GPX Fan Dimensions

Model	A	B	C	D
GPX1210	18 3/4"	17 1/8"	6"	13 1/4"
GPX1611	22 3/4"	21 1/8"	6"	13"
GPX2011	26 3/4"	25 1/8"	6"	13"
GPX2413	30 3/4"	29 1/8"	6"	14 1/4"
GPX3013	36 3/4"	35 1/8"	6"	13"

## GPX Shipping Dimensions

Model	Height	Width	Depth	Weight (lbs)
GPX1210	19"	14"	19"	35
GPX1611	23"	14"	24"	43
GPX2011	27"	14"	28"	55
GPX2413	31"	16"	32"	66
GPX3013	40"	16"	40"	70

## OPTIONAL TEMP CONTROL

Thermostat	TS-115/230-1
------------	--------------



TS-115/230-1: Only compatible with single phase motors up to 1 HP



## THE V SERIES

Triangle's "V" Series Belt Drive Industrial Wall Exhaust Fans are designed with long lasting performance in mind and are well suited for exhausting factories, gymnasiums, and warehouses. Each of our "V" Series Industrial Wall Exhaust Fans come standard with automatic belt tensioning to reduce maintenance and to extend motor and belt life.

### Features

- Belt drive
- Deep pitched blades for maximum airflow
- Rolled venturi for improved airflow
- Automatic belt tensioner
- Two-speed, single-phase motors available up to 1/2HP, 115V
- All welded construction
- Durable polyester powder coated finish
- Optional temperature (40F° - 110F°) control (sold separately)



Diameter	HP	CFM 0.0 SP	0.125 SP	0.25 SP	Approximate Weight	1-Phase		3 - Phase
						Open Drip Proof Motor 115V	Totally Enclosed Motor 115/230V	Open Drip Proof Motor 230/460V
24"	1/3	3,920	2,070	930	53	V2412-V		
30"	1/3	6,420	4,980	1,790	55	V3012-V		
	1/2	9,560	7,770	4,850	68	V3013-V	V3013T-U	V3013-X
36"	1/2	10,900	9,160	4,310	71	V3613-V	V3613T-U	V3613-X
	3/4	12,100	10,400	5,000	77	V3614-U*		V3614-X
42"	1/2	14,200	11,600	5,470	90	V4213-V	V4213T-U	V4213-X
	3/4	15,900	12,300	5,900	97	V4214-U*		V4214-X
48"	1/2	17,100	11,500	3,900	106	V4813-V	V4813T-U	V4813-X
	3/4	18,100	13,800	6,370	110	V4814-U*		V4814-X

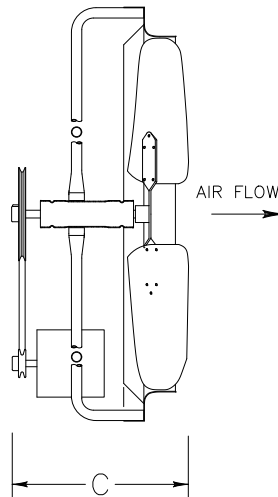
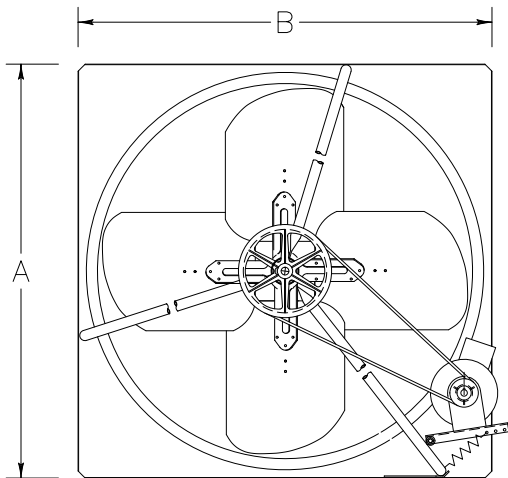
\*All weights are approximate and measured in pounds

\*Dual Voltage, single phase and prewired 115v

Dimensions "V" Series			
Diameter	A	B	C
24"	30"	30"	16 1/4"
30"	34"	34"	16 1/4"
36"	40"	40"	16 1/4"
42"	46"	46"	16 1/4"
48"	52"	52"	16 1/4"

OPTIONAL TEMP CONTROL	
Thermostat	TS-115/230-1

TS-115/230-1: Only compatible with single phase motors up to 1 HP



Performance shown is for installation type A: free inlet and free outlet and does not include the effects of accessories



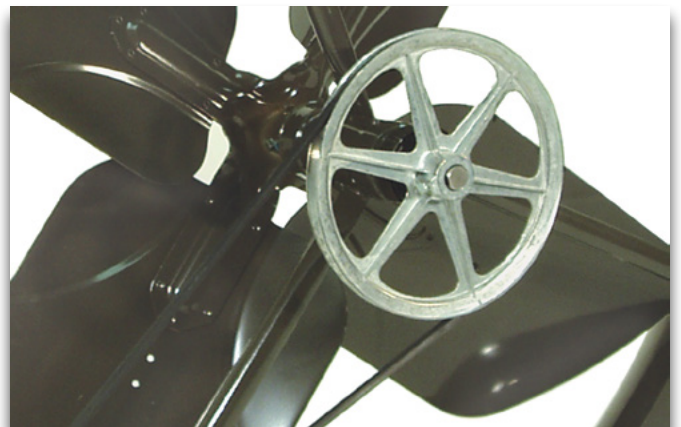
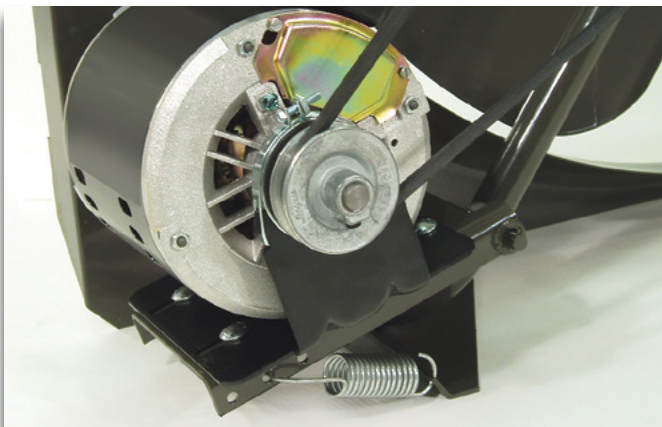


## THE RV SERIES

Triangle's "RV" Series Belt Drive Industrial Wall Supply Fans are designed with long lasting performance in mind and are well suited for supplying factories, gymnasiums, and warehouses. Each of our "RV" Series Industrial Wall Supply Fans come standard with automatic belt tensioning to reduce maintenance and to extend motor and belt life.

### Features

- Belt drive
- Rolled venturi for improved airflow
- Durable polyester powder coated finish
- High quality, heavy duty components
- Automatic belt tensioner
- Optional temperature (40F° - 110F°) control (sold separately)



Diameter	HP	CFM 0.0 SP	0.125 SP	0.25 SP	Approximate Weight	1-Phase		3-Phase
						Open Drip Proof Motor 115V	Totally Enclosed Motor 115/230V	Open Drip Proof Motor 230/460V
24"	1/3	3,920	2,070	930	53	RV2412-V		
30"	1/3	6,420	4,980	1,790	55	RV3012-V		
	1/2	9,560	7,770	4,850	68	RV3013-V	RV3013T-U	RV3013-X
36"	1/2	10,900	9,160	4,310	71	RV3613-V	RV3613T-U	RV3613-X
42"	1/2	14,200	11,600	5,470	90	RV4213-V	RV4213T-U	RV4213-X
48"	1/2	17,100	11,500	3,900	106	RV4813-V	RV4813T-U	RV4813-X
	3/4	18,100	13,800	6,370	110	RV4814-U*		

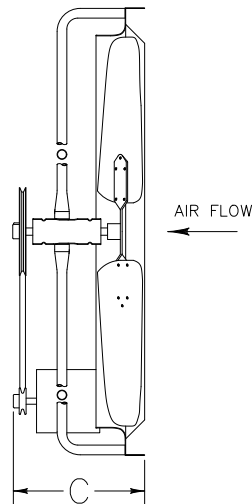
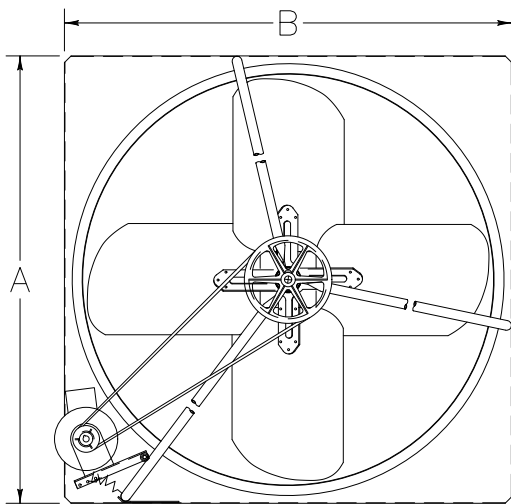
\*All weights are approximate and measured in pounds

\*Dual Voltage, single phase and prewired 115v

Dimensions "RV" Series			
Diameter	(A)	(B)	(C)
24"	30"	30"	16 1/4"
30"	34"	34"	16 1/4"
36"	40"	40"	16 1/4"
42"	46"	46"	16 1/4"
48"	52"	52"	16 1/4"

OPTIONAL TEMP CONTROL	
Thermostat	TS-115/230-1

TS-115/230-1: Only compatible with single phase motors up to 1 HP



Performance shown is for installation type A: free inlet and free outlet and does not include the effects of accessories  
All units are made to order and are not returnable



## THE VID SERIES

Triangle's "VID" Series Direct Drive Industrial Exhaust Fans are designed with maximum airflow in mind. Each of our "VID" Series Direct Drive Industrial Exhaust Fans come standard with a polyester powder coated venturi as well as heavy gauge galvanized Housing for corrosion resistance. The "VID" Series Direct Drive Industrial Exhaust Fans are perfect when little maintenance is ideal and they are well suited for factories, gymnasiums, and warehouses.

### Features

- Polyester powder coated venturi
- Rugged heavy galvanized gauge housing
- Totally enclosed motor standard
- Single-phase fans include a cord and molded plug
- Direct drive



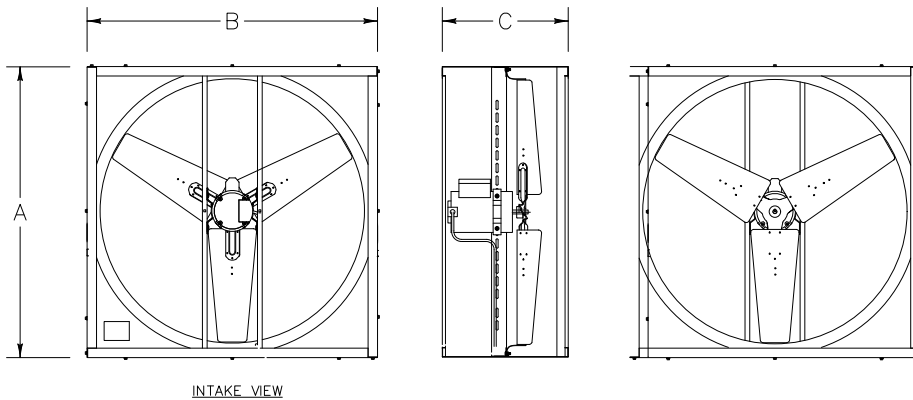
Diam.	HP	CFM 0.0 SP	0.125 SP	0.25 SP	0.5 SP	Approx. Weight	1-Phase		3-Phase
							115V	230V	230/460V
24"	1/2	5,910	5,080	3,740		100	VID2413T-V	VID2413T-W	----
30"	1/2	8,770	7,600	6,240		105	VID3013T-V	VID3013T-W	----
36"	1/2	10,800	8,840	6,550		115	VID3613T-V	VID3613T-W	----
	1	13,500	11,630	9,100	3,930	140	VID3615T-V	VID3615T-W	VID3615T-X
42"	1/2	13,190	9,900	4,840		145	VID4213T-V	VID4213T-W	----
	1	16,300	14,200	11,500	4,000	170	VID4215T-V	VID4215T-W	VID4215T-X
48"	1	19,900	15,800	10,500		180	VID4815T-V	VID4815T-W	VID4815T-X

\*All weights are approximate and measured in pounds

Dimensions "VID" Series			
Diameter	A	B	C
24"	30 3/4"	30 3/4"	20"
30"	34 3/4"	34 3/4"	20"
36"	40 3/4"	40 3/4"	20"
42"	46 3/4"	46 3/4"	20"
48"	52 3/4"	52 3/4"	20"

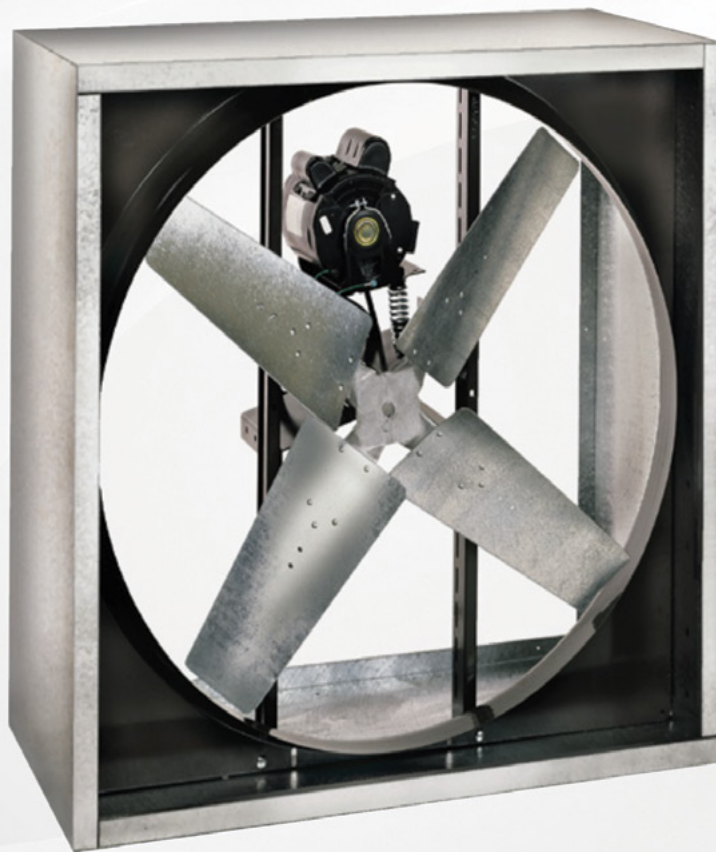
OPTIONAL TEMP CONTROL	
Thermostat	TS-115/230-1

TS-115/230-1: Only compatible with single phase motors up to 1 HP



Performance shown is for installation type A: free inlet and free outlet and does not include the effects of accessories  
All units are made to order and are not returnable





## THE VI SERIES

Triangle's "VI" Series Belt Drive Heavy Duty Industrial Exhaust Fans are designed to meet the exhaust airflow needs of factories, warehouses, gymnasiums, greenhouses, and more. The "VI" Series Belt Drive Heavy Duty Industrial Exhaust Fans come standard with a polyester powder coated venturi to improve airflow and protect against corrosion as well as a heavy gauge galvanized housing for corrosion resistance. Also, open drip proof and totally enclosed fan cooled "VI" models up to 1 ½ HP come equipped with Triangle's exclusive "X-Wing" belt tensioner which reduces maintenance and extends belt and motor life.

### Options

- Two-speed, single-phase motors up to 1/2HP, 115v only

### Features

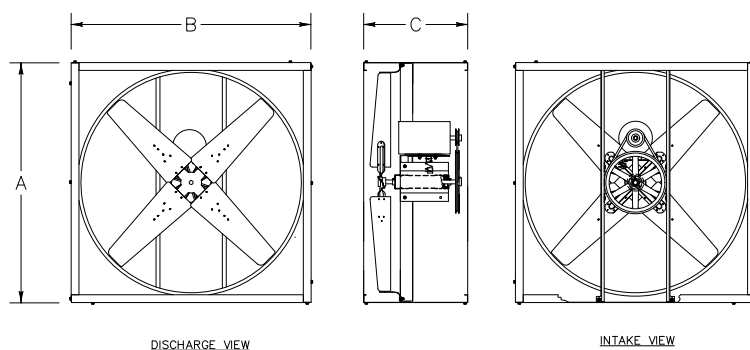
- Bronze powder coated rolled inlet venturi for efficient airflow
- Rugged heavy gauge galvanized housing
- Available in sizes from 24" to 60" blade diameter
- Available with ODP, TE and HL motors
- Belt drive
- Optional temperature control available for some models
- Suitable for applications up to 110°F Ambient

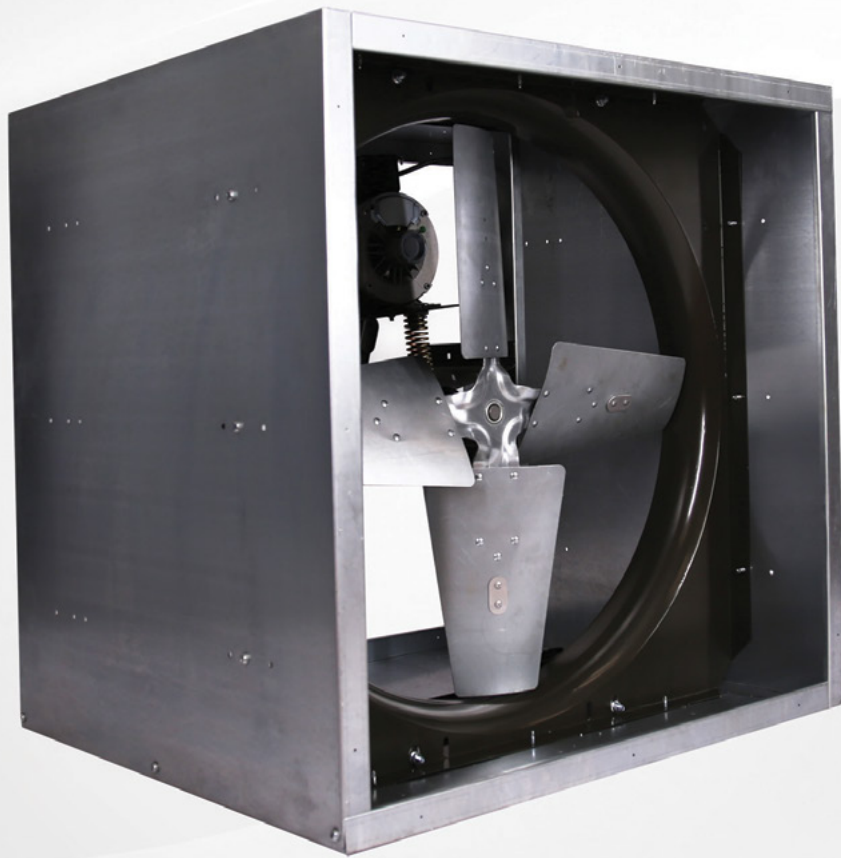


Diameter	HP	Performance				Approximate Weight (lbs)	1-Phase (115/230V)		3-Phase (230/460V)		Hazardous Location*	
		0.0" SP	0.125" SP	0.25" SP	0.5" SP		Open Drip Proof Motor	Totally Enclosed Motor	Open Drip Proof Motor	Totally Enclosed Motor	1-Phase	3-Phase
24"	1/3	4,190	3,250	1,950	----	100	VI2412-V (115V)	----	VI2412-X	----	----	----
	1/2	5,000	4,250	3,430	----	105	VI2413-V (115V) VI2413-W (230V)	VI2413T-U	VI2413-X	VI2413T-X	VI2413HL-U	VI2413HL-X
30"	1/3	7,080	6,050	4,940	----	111	VI3012-V (115V) VI3012-W (230V)	VI3012T-U	VI3012-X	VI3012T-X	----	----
	1/2	9,180	7,880	6,430	----	111	VI3013-V (115V) VI3013-W (230V)	VI3013T-U	VI3013-X	VI3013T-X	VI3013HL-U	VI3013HL-X
	3/4	9,840	8,650	7,190	----	114	VI3014-U	VI3014T-U	VI3014-X	VI3014T-X	VI3014HL-U	VI3014HL-X
36"	1/2	10,800	8,840	6,550	----	125	VI3613-V (115V) VI3613-W (230V)	VI3613T-U	VI3613-X	VI3613T-X	VI3613HL-U	VI3613HL-X
	3/4	12,600	10,550	6,880	----	136	VI3614-U	VI3614T-U	VI3614-X	VI3614T-X	VI3614HL-U	VI3614HL-X
	1	13,340	11,500	9,160	----	145	VI3615-U	VI3615T-U	VI3615-X	VI3615T-X	VI3615HL-U	VI3615HL-X
	1 1/2	14,790	13,080	11,440	----	160	VI3616-U	VI3616T-U	VI3616-X	VI3616T-X	VI3616HL-U	VI3616HL-X
	2	16,900	15,440	13,380	8,250	202	VI3617-U	----	VI3617-X	VI3617T-X	VI3617HL-U*	VI3617HL-X
	3	15,400	14,200	13,000	9,970	267	VI3618-U	----	VI3618-X	VI3618T-X	----	VI3618HL-X
42"	1/2	13,160	10,050	4,270	----	150	VI4213-V (115V) VI4213-W (230V)	VI4213T-U	VI4213-X	VI4213T-X	VI4213HL-U	VI4213HL-X
	3/4	15,050	12,320	7,700	----	155	VI4214-U	VI4214T-U	VI4214-X	VI4214T-X	VI4214HL-U	VI4214HL-X
	1	16,570	14,210	10,900	----	171	VI4215-U	VI4215T-U	VI4215-X	VI4215T-X	VI4215HL-U	VI4215HL-X
	1 1/2	17,950	15,760	13,030	----	185	VI4216-U	VI4216T-U	VI4216-X	VI4216T-X	VI4216HL-U	VI4216HL-X
	2	22,050	20,040	18,150	11,790	210	VI4217-U	VI4217T-U	VI4217-X	VI4217T-X	----	----
48"	3/4	19,100	14,300	6,160	----	185	VI4814-U	VI4814T-U	VI4814-X	VI4814T-X	VI4814HL-U	VI4814HL-X
	1	20,600	16,000	7,770	----	195	VI4815-U	VI4815T-U	VI4815-X	VI4815T-X	VI4815HL-U	VI4815HL-X
	1 1/2	21,500	16,400	10,400	----	210	VI4816-U	VI4816T-U	VI4816-X	VI4816T-X	VI4816HL-U	VI4816HL-X
	2	21,100	19,000	16,500	----	240	VI4817-U	VI4817T-U	VI4817-X	VI4817T-X	VI4817HL-U*	VI4817HL-X
	3	23,700	21,500	19,300	----	305	VI4818-U	----	VI4818-X	VI4818T-X	VI4818HL-U	VI4818HL-X
	5	28,800	26,800	24,500	18,400	330	VI4819-W (230V)	----	VI4819-X	VI4819T-X	----	VI4819HL-X
54"	2	25,500	22,300	19,900	----	345	VI5417-U	VI5417T-U	VI5417-X	VI5417T-X	VI5417HL-U*	VI5417HL-X
	3	29,800	27,100	24,600	----	355	VI5418-U	----	VI5418-X	VI5418T-X	VI5418HL-U	VI5418HL-X
	5	37,300	35,000	32,600	26,500	365	VI5419-W (230V)	----	VI5419-X	VI5419T-X	----	VI5419HL-X
60"	2	30,600	27,100	23,150	----	425	VI6017-U	VI6017T-U	VI6017-X	VI6017T-X	VI6017HL-U*	VI6017HL-X
	3	34,500	31,600	28,500	19,250	430	VI6018-U	----	VI6018-X	VI6018T-X	VI6018HL-U	VI6018HL-X
	5	41,000	38,600	36,100	30,300	440	VI6019-W (230V)	----	VI6019-X	VI6019T-X	----	VI6019HL-X

\*See page 105 for information on hazardous location models.

Dimensions "RVI" Series			
Diameter	A	B	C
24"	30 3/4"	30 3/4"	Varies by Horsepower
30"	34 3/4"	34 3/4"	
36"	40 3/4"	40 3/4"	
42"	46 3/4"	46 3/4"	
48"	52 3/4"	52 3/4"	
54"	62 7/8"	62 7/8"	
60"	68 7/8"	68 7/8"	





## THE RVI SERIES

Triangle's "RVI" Series Belt Drive Heavy Duty Industrial Supply Fans are designed to meet the supply airflow needs of factories, warehouses, gymnasiums, greenhouses, etc. The "RVI" Series Belt Drive Heavy Duty Industrial Supply Fans come standard with a polyester powder coated venturi to improve airflow and protect against corrosion as well as a heavy gauge galvanized housing for corrosion resistance. "RVI" models up to 1 ½ HP with ODP and TEFC motors come equipped with Triangle's exclusive "X-Wing" Belt Tensioner which reduces maintenance and extends belt and motor life.

### Options:

- Two-speed, single-phase motors up to 1/2HP, 115v only

### Features

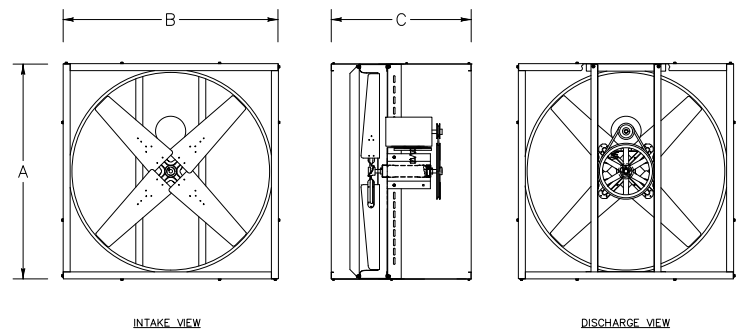
- Belt drive
- Bronze powder coated rolled inlet venturi for efficient airflow
- Rugged heavy gauge galvanized housing
- Available in sizes from 24" to 60" blade diameter
- Available with ODP, TE, and HL Motors
- Optional temperature control available for some models
- Suitable for applications up to 110°F Ambient



Diameter	HP	Performance				Approx Weight (lbs)	1-Phase (115/230V)		3-Phase (230/460V)		Hazardous Location*	
		0.0" SP	0.125" SP	0.25" SP	0.5" SP		Open Drip Proof Motor	Totally Enclosed Motor	Open Drip Proof Motor	Totally Enclosed Motor	1-Phase	3-Phase
24"	1/3	4,190	3,250	1,950	----	120	RVI2412-V (115V)	----	RVI2412-X	----	----	----
	1/2	5,000	4,250	3,430	----	125	RVI2413-V (115V) RVI2413-W (230V)	RVI2413T-U	RVI2413-X	RVI2413T-X	RVI2413HL-U	RVI2413HL-X
30"	1/3	7,080	6,050	4,940	----	128	RVI3012-V (115V)	RVI3012T-U	RVI3012-X	RVI3012T-X	----	----
	1/2	9,180	7,880	6,430	----	132	RVI3013-V (115V) RVI3013-W (230V)	RVI3013T-U	RVI3013-X	RVI3013T-X	RVI3013HL-U	RVI3013HL-X
	3/4	9,840	8,650	7,190	----	135	RVI3014-U	RVI3014T-U	RVI3014-X	RVI3014T-X	RVI3014HL-U	RVI3014HL-X
36"	1/2	10,800	8,840	6,550	----	150	RVI3613-V (115V) RVI3613-W (230V)	RVI3613T-U	RVI3613-X	RVI3613T-X	RVI3613HL-U	RVI3613HL-X
	3/4	12,600	10,550	6,880	----	165	RVI3614-U	RVI3614T-U	RVI3614-X	RVI3614T-X	RVI3614HL-U	RVI3614HL-X
	1	13,340	11,500	9,160	----	175	RVI3615-U	RVI3615T-U	RVI3615-X	RVI3615T-X	RVI3615HL-U	RVI3615HL-X
	1 1/2	14,790	13,080	11,440	----	185	RVI3616-U	RVI3616T-U	RVI3616-X	RVI3616T-X	RVI3616HL-U	RVI3616HL-X
	2	16,900	15,440	13,380	8,250	190	RVI3617-U	----	RVI3617-X	RVI3617T-X	RVI3617HL-U	RVI3617HL-X
	3	15,400	14,200	13,000	9,970	200	RVI3618-U	----	RVI3618-X	RVI3618T-X	----	RVI3618HL-X
42"	1/2	13,160	10,050	4,270	----	190	RVI4213-V (115V) RVI4213-W (230V)	RVI4213T-U	RVI4213-X	RVI4213T-X	RVI4213HL-U	RVI4213HL-X
	3/4	15,050	12,320	7,700	----	195	RVI4214-U	RVI4214T-U	RVI4214-X	RVI4214T-X	RVI4214HL-U	RVI4214HL-X
	1	16,570	14,210	10,900	----	205	RVI4215-U	RVI4215T-U	RVI4215-X	RVI4215T-X	RVI4215HL-U	RVI4215HL-X
	1 1/2	17,950	15,760	13,030	----	220	RVI4216-U	RVI4216T-U	RVI4216-X	RVI4216T-X	RVI4216HL-U	RVI4216HL-X
	2	22,050	20,040	18,150	11,790	210	RVI4216-U	RVI4217T-U	RVI4216-X	RVI4217T-X	----	----
48"	3/4	19,100	14,300	6,160	----	223	RVI4814-U	RVI4814T-U	RVI4814-X	RVI4814T-X	RVI4814HL-U	RVI4814HL-X
	1	20,600	16,000	7,770	----	233	RVI4815-U	RVI4815T-U	RVI4815-X	RVI4815T-X	RVI4815HL-U	RVI4815HL-X
	1 1/2	21,500	16,400	10,400	----	236	RVI4816-U	RVI4816T-U	RVI4816-X	RVI4816T-X	RVI4816HL-U	RVI4816HL-X
	2	21,100	19,000	16,500	----	278	RVI4817-U	RVI4817T-U	RVI4817-X	RVI4817T-X	RVI4817HL-U	RVI4817HL-X
	3	23,700	21,500	19,300	----	292	RVI4818-U	----	RVI4818-X	RVI4818T-X	RVI4818HL-U	RVI4818HL-X
	5	28,800	26,800	24,500	18,400	300	RVI4819-W (230V)	----	RVI4819-X	RVI4819T-X	----	RVI4819HL-X
	54"	2	25,500	22,300	19,900	----	360	RVI5417-U	RVI5417T-U	RVI5417-X	RVI5417T-X	RVI5417HL-U
3	29,800	27,100	24,600	----	370	RVI5418-U	----	RVI5418-X	RVI5418T-X	RVI5418HL-U	RVI5418HL-X	
5	37,300	35,000	32,600	26,500	380	RVI5419-W (230V)	----	RVI5419-X	RVI5419T-X	----	RVI5419HL-X	
60"	2	30,600	27,100	23,150	----	440	RVI6017-U	RVI6017T-U	RVI6017-X	RVI6017T-X	RVI6017HL-U	RVI6017HL-X
	3	34,500	31,600	28,500	19,250	445	RVI6018-U	----	RVI6018-X	RVI6018T-X	RVI6018HL-U	RVI6018HL-X
	5	41,000	38,600	36,100	30,300	450	RVI6019-W (230V)	----	RVI6019-X	RVI6019T-X	----	RVI6019HL-X

\*See page 105 for information on hazardous location models.

Dimensions "RVI" Series			
Diameter	A	B	C
24"	30 3/4"	30 3/4"	Varies by Horsepower
30"	34 3/4"	34 3/4"	
36"	40 3/4"	40 3/4"	
42"	46 3/4"	46 3/4"	
48"	52 3/4"	52 3/4"	
54"	62 7/8"	62 7/8"	
60"	68 7/8"	68 7/8"	







# EXHAUST AND SUPPLY SHUTTERS

Triangle's Shutters are designed for long lasting operation and proper airflow. With a bronze finish, polyester powder coated, welded galvanized steel frame, extruded aluminum blades and bronze pivot bushings, Triangle Shutters are equipped to withstand even the most demanding environments.

**Note: Triangle's Supply Shutters must be equipped with an operator. Shutter must be opened before fan is energized.**

## Features

- Exhaust and Supply Models
- Extruded aluminum blades
- Welded galvanized steel frame
- Bronze pivot bushings
- Bronze finish, polyester powder coated frame
- Single and double panel models
- Wall mount and fan mount models



# SINGLE PANEL SHUTTERS



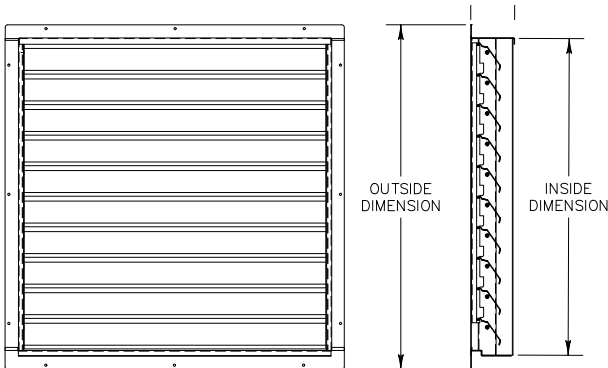
- Welded galvanized steel frame
- Bronze pivot bushings
- Extruded aluminum blades
- Bronze finish, polyesters powder coated frame
- Wall mount and Fan Mount Models

## WALL MOUNTED MODELS

Fan Size	Outside Dimension	Inside Dimension	Depth	Weight	Max HP	Exhaust Model	Supply Model
---	27 3/8" x 27 3/8"	24" x 24"	4"	22	0.75	IWS18	RIWS18
24"	33 3/8" x 33 3/8"	31" x 31"	4"	26	0.75	IWS24	RIWS24
30"	36 3/8" x 36 3/8"	34" x 34"	4"	29	1	IWS30	RIWS30
36"	42 3/8" x 42 3/8"	40" x 40"	4"	39	1.5	IWS36	RIWS36
42"	48 3/8" x 48 3/8"	46" x 46"	4"	44	2	IWS42	RIWS42
48"	54 3/8" x 54 3/8"	52" x 52"	4"	55	3	IWS48	RIWS48

## FAN HOUSING MOUNTED MODELS

Fan Size	Outside Dimension	Inside Dimension	Depth	Weight	Max HP	Exhaust Model	Supply Model
24"	30 3/8" x 30 3/8"	28" x 28"	4"	24	0.75	IWS21	RIWS21
30"	33 3/8" x 33 3/8"	31" x 31"	4"	26	0.75	IWS24	RIWS24
36"	39 3/8" x 39 3/8"	37" x 37"	4"	33	1	IWS33	RIWS33
42"	45 3/8" x 45 3/8"	43" x 43"	4"	42	1.5	IWS39	RIWS39
48"	51 3/8" x 51 3/8"	49" x 49"	4"	49	2	IWS45	RIWS45



### Single Panel Operators

Manual Pull Chain	IWS 155
Electric	IWS 3187*

Note: Triangle's supply shutters must be equipped with an operator. Shutter must be opened before fan is energized.

\* 115/230v 1-Phase only

Shutters must be mounted with a minimum of 6" from fan blades.

Best performance is achieved with a distance of one half the blade diameter between the blades and the shutter.

Shutters mounted directly to housing will slightly reduce fan performance and increase motor load.



## DOUBLE PANEL SHUTTERS

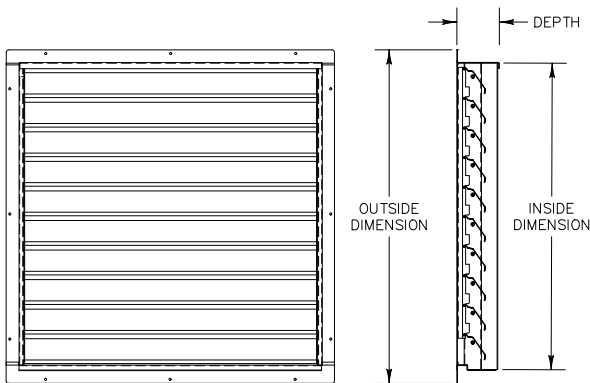
- Welded galvanized steel frame
- Bronze pivot bushings
- Extruded aluminum blades
- Bronze finish polyester powder coated frame
- Wall mount and fan mount models

### WALL MOUNTED MODELS

Fan Size	Outside Dimension	Inside Dimension	Depth	Weight	Exhaust Model	Supply Model
36"	42 3/8" x 42 3/8"	40" x 40"	4"	52	IWSD36	RIWSD36
42"	48 3/8" x 48 3/8"	46" x 46"	4"	57	IWSD42	RIWSD42
48"	54 3/8" x 54 3/8"	52" x 52"	4"	65	IWSD48	RIWSD48
54"	63 3/8" x 63 3/8"	61" x 61"	4"	76	IWSD54	RIWSD54
60"	69 3/8" x 69 3/8"	67" x 67"	4"	88	IWSD60	RIWSD60

### FAN HOUSING MOUNTED MODELS

Fan Size	Outside Dimension	Inside Dimension	Depth	Weight	Exhaust Model	Supply Model
36"	39 3/8" x 39 3/8"	37" x 37"	4"	49	IWSD33	RIWSD33
42"	45 3/8" x 45 3/8"	43" x 43"	4"	55	IWSD39	RIWSD39
48"	51 3/8" x 51 3/8"	49" x 49"	4"	63	IWSD45	RIWSD45
54"	62 1/4" x 62 1/4"	61" x 61"	4"	74	IWSD51	RIWSD51
60"	68 1/4" x 68 1/4"	67" x 67"	4"	86	IWSD57	RIWSD57



#### Double Panel Operators

Manual Pull Chain	IWS 255
Electric	IWS 3187*

\*2 Required per shutter

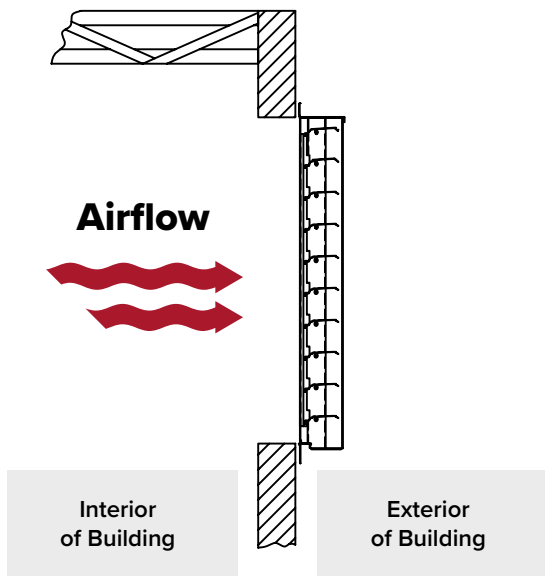
Note: Triangle's supply shutters must be equipped with an operator. Shutter must be opened before fan is energized.

\*115/230v 1-Phase only

Shutters must be mounted with a minimum of 6" from fan blades.

Best performance is achieved with a distance of one half the blade diameter between the blades and the shutter.

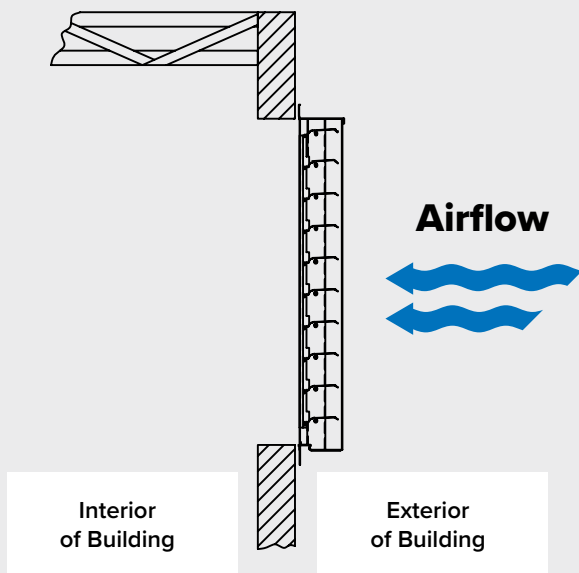
Shutters mounted directly to housing will slightly reduce fan performance and increase motor load.



## EXHAUST SHUTTERS

Triangle manufactures a full range of gravity exhaust shutters to meet your needs. All of our shutters are designed and engineered to combine durability and strength.

- Sizes range from 27 3/8" square up to 69 3/8" square
- Single and double panel models
- Bronze pivot bushings
- Extruded aluminum blades
- Welded galvanized steel frame
- Bronze finish polyester powder coated frame



## SUPPLY SHUTTERS

Triangle manufactures a full range of supply shutters (back draft dampers) to meet your needs. All of our shutters are designed and engineered to combine durability and strength.

- Sizes range from 27 3/8" square up to 69 3/8" square
- Single and double panel models
- Bronze pivot bushings
- Extruded aluminum blades
- Welded galvanized steel frame
- Bronze finish polyester powder coated frame

Airflow is going against the shutter blades.  
Supply shutters must be equipped with an operator. Shutter must be opened before fan is energized.





## THE VIK SERIES

Triangle's "VIK" Series Belt Drive Heavy Duty Industrial Exhaust Fans are designed to meet the exhaust airflow needs of factories, warehouses, gymnasiums, greenhouses, etc. "VIK" Series Belt Drive Heavy Duty Industrial Exhaust Fans come standard with installed IWS shutters and VIG guards. The "VIK" Series Belt Drive Heavy Duty Industrial Exhaust Fans come with a polyester powder coated venturi to improve airflow and protect against corrosion as well as a heavy gauge galvanized housing for corrosion resistance. "VIK" models up to 1 ½ HP with ODP and TEFC motors come equipped with Triangle's exclusive "X-Wing" Belt Tensioner which reduces maintenance and extends belt and motor life.

### Options

- Two-speed, single-phase motors up to 1/2HP, 115v only

### Features

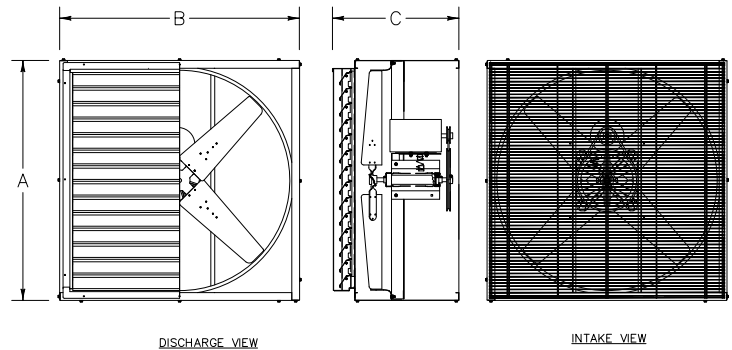
- Bronze powder coated rolled inlet venturi for efficient airflow
- Rugged heavy gauge galvanized housing
- Available in sizes from 24" to 60" blade diameter
- Available with ODP, TE and HL motors
- Belt drive
- Optional temperature control available for some models
- Suitable for applications up to 110°F Ambient



Diameter	HP	Performance				Ap- prox- imate Weight (lbs)	1-Phase (115/230V)		3-Phase (230/460V)		Hazardous Location*	
		0.0" SP	0.125" SP	0.25" SP	0.5" SP		Open Drip Proof Motor	Totally Enclosed Motor	Open Drip Proof Motor	Totally Enclosed Motor	1-Phase	3-Phase
24"	1/3	4,190	3,250	1,950	----	160	VIK2412-V (115V)	----	VIK2412-X	----	----	----
	1/2	5,000	4,250	3,430	----	170	VIK2413-V (115V) VIK2413-W (230V)	VIK2413T-U	VIK2413-X	VIK2413T-X	VIK2413HL-U	VIK2413HL-X
30"	1/3	7,080	6,050	4,940	----	181	VIK3012-V (115V) VIK3012-W (230V)	VIK3012T-U	VIK3012-X	VIK3012T-X	----	----
	1/2	9,180	7,880	6,430	----	181	VIK3013-V (115V) VIK3013-W (230V)	VIK3013T-U	VIK3013-X	VIK3013T-X	VIK3013HL-U	VIK3013HL-X
	3/4	9,840	8,650	7,190	----	185	VIK3014-U	VIK3014T-U	VIK3014-X	VIK3014T-X	VIK3014HL-U	VIK3014HL-X
36"	1/2	10,800	8,840	6,550	----	200	VIK3613-V (115V) VIK3613-W (230V)	VIK3613T-U	VIK3613-X	VIK3613T-X	VIK3613HL-U	VIK3613HL-X
	3/4	12,600	10,550	6,880	----	205	VIK3614-U	VIK3614T-U	VIK3614-X	VIK3614T-X	VIK3614HL-U	VIK3614HL-X
	1	13,340	11,500	9,160	----	215	VIK3615-U	VIK3615T-U	VIK3615-X	VIK3615T-X	VIK3615HL-U	VIK3615HL-X
	1 1/2	14,790	13,080	11,440	----	230	VIK3616-U	VIK3616T-U	VIK3616-X	VIK3616T-X	VIK3616HL-U	VIK3616HL-X
	2	16,900	15,440	13,380	8,250	270	VIK3617-U	----	VIK3617-X	VIK3617T-X	VIK3617HL-U	VIK3617HL-X
	3	15,400	14,200	13,000	9,970	327	VIK3618-U	----	VIK3618-X	VIK3618T-X	----	VIK3618HL-X
42"	1/2	13,160	10,050	4,270	----	230	VIK4213-V (115V) VIK4213-W (230V)	VIK4213T-U	VIK4213-X	VIK4213T-X	VIK4213HL-U	VIK4213HL-X
	3/4	15,050	12,320	7,700	----	235	VIK4214-U	VIK4214T-U	VIK4214-X	VIK4214T-X	VIK4214HL-U	VIK4214HL-X
	1	16,570	14,210	10,900	----	250	VIK4215-U	VIK4215T-U	VIK4215-X	VIK4215T-X	VIK4215HL-U	VIK4215HL-X
	1 1/2	17,950	15,760	13,030	----	265	VIK4216-U	VIK4216T-U	VIK4216-X	VIK4216T-X	VIK4216HL-U	VIK4216HL-X
	2	22,050	20,040	18,150	11,790	290	VIK4217-U	VIK4217T-U	VIK4217-X	VIK4217T-X	----	----
48"	3/4	19,100	14,300	6,160	----	280	VIK4814-U	VIK4814T-U	VIK4814-X	VIK4814T-X	VIK4814HL-U	VIK4814HL-X
	1	20,600	16,000	7,770	----	285	VIK4815-U	VIK4815T-U	VIK4815-X	VIK4815T-X	VIK4815HL-U	VIK4815HL-X
	1 1/2	21,500	16,400	10,400	----	300	VIK4816-U	VIK4816T-U	VIK4816-X	VIK4816T-X	VIK4816HL-U	VIK4816HL-X
	2	21,100	19,000	16,500	----	325	VIK4817-U	VIK4817T-U	VIK4817-X	VIK4817T-X	VIK4817HL-U	VIK4817HL-X
	3	23,700	21,500	19,300	----	410	VIK4818-U	----	VIK4818-X	VIK4818T-X	VIK4818HL-U	VIK4818HL-X
	5	28,800	26,800	24,500	18,400	425	VIK4819-W (230V)	----	VIK4819-X	VIK4819T-X	----	VIK4819HL-X
54"	2	25,500	22,300	19,900	----	460	VIK5417-U	VIK5417T-U	VIK5417-X	VIK5417T-X	VIK5417HL-U	VIK5417HL-X
	3	29,800	27,100	24,600	----	470	VIK5418-U	----	VIK5418-X	VIK5418T-X	VIK5418HL-U	VIK5418HL-X
	5	37,300	35,000	32,600	26,500	490	VIK5419-W (230V)	----	VIK5419-X	VIK5419T-X	----	VIK5419HL-X
60"	2	30,600	27,100	23,150	----	555	VIK6017-U	VIK6017T-U	VIK6017-X	VIK6017T-X	VIK6017HL-U	VIK6017HL-X
	3	34,500	31,600	28,500	19,250	565	VIK6018-U	----	VIK6018-X	VIK6018T-X	VIK6018HL-U	VIK6018HL-X
	5	41,000	38,600	36,100	30,300	575	VIK6019-W (230V)	----	VIK6019-X	VIK6019T-X	----	VIK6019HL-X

\*See page 105 for information on hazardous location models.

Dimensions "VIK" Series			
Diameter	A	B	C
24"	30 3/4"	30 3/4"	Varies by Horsepower
30"	34 3/4"	34 3/4"	
36"	40 3/4"	40 3/4"	
42"	46 3/4"	46 3/4"	
48"	52 3/4"	52 3/4"	
54"	62 7/8"	62 7/8"	
60"	68 7/8"	68 7/8"	



Performance shown is for installation type A: free inlet and free outlet and does not include the effects of accessories.  
All units are made to order and are not returnable.



## FHIR SERIES REVERSIBLE FANS

Triangle's "FHIR" series industrial grade true reversible wall fans come in belt or direct drive models and are ideal for applications that have supply or exhaust needs out of the same fan. Triangle "FHIR" series industrial grade true reversible wall fans come with a true, bidirectional venturi and bi-directional airfoil blades. The combination of the two prevent the traditional loss of performance associated with traditional "reversible" fans.

### Features

- Reversible totally enclosed motor
- Welded construction
- Comes standard with galvanized wall housing
- Comes standard with reversing switch
- Polyester powder coated venturi panel
- Optional temperature control available for some models

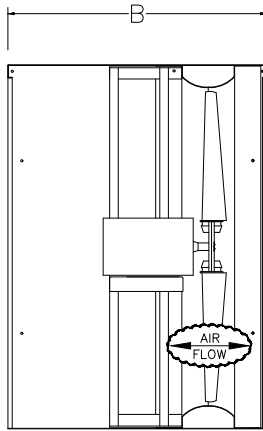
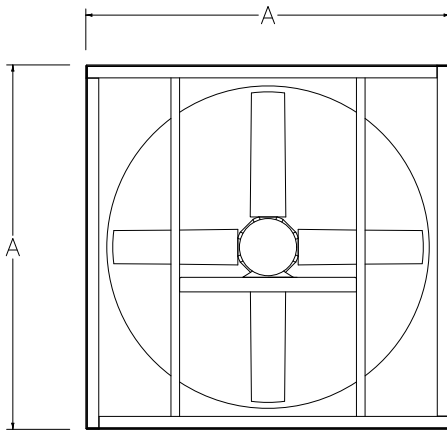




## DIRECT DRIVE FHIR

- Reversible totally enclosed motor
- Welded construction
- Comes standard with galvanized wall housing
- Comes standard with reversing switch
- Polyester powder coated venturi panel

Diameter	HP	RPM	Performance			1-Phase	3-Phase
			0.0" SP	0.125" SP	0.25" SP	115/230V	230/460V
30"	1	1160	8,700	8,000	7,000	FHIR3015T-U-DD	FHIR3015T-X-DD
	2	1160	11,500	10,750	9,500	FHIR3017T-U-DD	FHIR3017T-X-DD
36"	1	860	12,500	11,800	8,400	FHIR3615T-U-DD	FHIR3615T-X-DD
	2	1160	13,500	12,700	11,800	FHIR3617T-U-DD	FHIR3617T-X-DD
48"	1	860	14,900	12,700	10,600	FHIR4815T-U-DD	FHIR4815T-X-DD
	2	860	22,200	20,100	17,900	FHIR4817T-U-DD	FHIR4817T-X-DD
	3	860	28,100	26,200	23,900	----	FHIR4818T-X-DD



Dimensions "FHIR" Series		
Diameter	A	B
30"	36 3/8"	30"
36"	42 1/4"	30"
48"	54 1/4"	34"

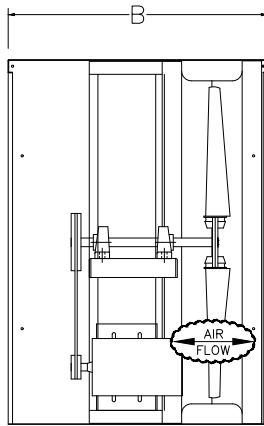
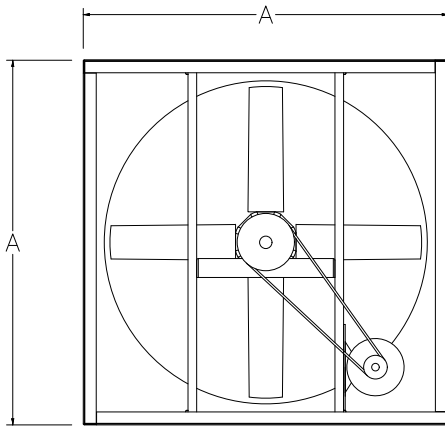




## BELT DRIVE FHIR

- Reversible totally enclosed motor
- Welded construction
- Comes standard with galvanized wall housing
- Comes standard with reversing switch
- Polyester powder coated venturi panel
- Pillow block bearings

Diameter	HP	RPM	Performance			1-Phase	3-Phase
			0.0" SP	0.125" SP	0.25" SP	115/230V	230/460V
30"	1	980	8,400	7,200	5,500	FHIR3015T-U-BD	FHIR3015T-X-BD
	2	1250	10,700	9,800	8,800	FHIR3017T-U-BD	FHIR3017T-X-BD
36"	1	821	11,100	9,800	8,300	FHIR3615T-U-BD	FHIR3615T-X-BD
	2	1035	14,000	13,200	11,900	FHIR3617T-U-BD	FHIR3617T-X-BD
48"	1	493	19,800	16,300	8,500	FHIR4815T-U-BD	FHIR4815T-X-BD
	2	616	24,800	22,100	18,300	FHIR4817T-U-BD	FHIR4817T-X-BD
	3	706	28,300	26,100	23,400	FHIR4818T-U-BD	FHIR4818T-X-BD



Dimensions "FHIR" Series		
Diameter	A	B
30"	36 3/8"	30"
36"	42 1/4"	30"
48"	54 1/4"	34"



# THE FHI SERIES

Triangles “FHI” series severe duty supply or exhaust fans come in belt or direct drive models and are ideal for applications that have higher performance requirements. Triangles “FHI” series severe duty fans come standard with cast aluminum airfoil blades and are designed to operate in factories, steel mills, processing facilities, warehouses, and more.

## Features

- 16” to 84” blade diameter models available (60” for direct drive)
- 3,610 CFM to 115,800 CFM
- Durable gray polyester powder coat finish
- Deep spun venturi type orifice for quieter, more efficient operation
- Rugged all welded structural frame for added support and lower vibration
- Heavy duty self aligning ball bearing pillow blocks, to ensure long maintenance free operation
- Taper lock bushing between propeller and shaft for ease of removal, should it become necessary
- Heavy duty V belt drive with cast iron sheaves, dynamically balanced fan and motor sheaves and extra strength V belts
- Split tapered standard drive hubs permit easy removal of the fan from the shaft for maintenance purposes
- Optional temperature control available for some models

## FHI DIRECT DRIVE MODELS

Diam	HP	RPM	Performance					Totally Enclosed		Hazardous Location*		
			Tip Speed	0.0 SP	.125 SP	.25 SP	.375 SP	.50 SP	1PH	3PH	1PH	3PH
24"	1/2	1,200	7,230	6,230	5,540	5,150	4,310	3,110	FHI2413T-U-1200-DD	FHI2413T-X-1200-DD	FHI2413HL-U-1200-DD	FHI2413HL-X-1200-DD
	3/4	1,200	7,230	6,940	6,410	5,790	5,050	3,900	FHI2414T-U-1200-DD	FHI2414T-X-1200-DD	FHI2414HL-U-1200-DD	FHI2414HL-X-1200-DD
	1	1,200	7,230	7,270	6,710	6,070	5,790	3,890		FHI2415T-X-1200-DD	FHI2415HL-U-1200-DD	FHI2415HL-X-1200-DD
	1	1,800	11,100	7,410	6,880	6,360	5,790	5,280	FHI2415T-U-1800-DD	FHI2415T-X-1800-DD	FHI2415HL-U-1800-DD	FHI2415HL-X-1800-DD
	1 1/2	1,800	11,100	8,550	8,060	7,480	6,950	6,420	FHI2416T-U-1800-DD	FHI2416T-X-1800-DD	FHI2416HL-U-1800-DD	FHI2416HL-X-1800-DD
	2	1,800	11,100	9,700	9,110	8,570	7,990	7,260	FHI2417T-U-1800-DD	FHI2417T-X-1800-DD	FHI2417HL-U-1800-DD	FHI2417HL-X-1800-DD
30"	1/2	900	6,750	8,230	7,180	5,980	4,010	1,760		FHI3013T-X-900-DD		
	3/4	900	6,750	9,900	8,770	7,370	4,330	2,600		FHI3014T-X-900-DD		
	1	1,200	9,030	9,370	8,660	7,840	6,970	5,920		FHI3015T-X-1200-DD	FHI3015HL-U-1200-DD	FHI3015HL-X-1200-DD
	2	1,200	9,030	13,200	12,400	11,500	10,500	9,330		FHI3017T-X-1200-DD		FHI3017HL-X-1200-DD
	3	1,800	13,700	14,300	13,800	13,300	12,800	12,300	FHI3018T-U-1800-DD	FHI3018T-X-1800-DD	FHI3018HL-U-1800-DD	FHI3018HL-X-1800-DD
36"	3/4	900	8,110	12,900	11,400	9,570	7,350	4,140		FHI3614T-X-900-DD		
	1	900	8,110	14,800	13,300	11,500	9,300	5,790		FHI3615T-X-900-DD		
	2	1,200	10,800	18,600	17,400	16,200	14,900	13,400		FHI3617T-X-1200-DD		FHI3617HL-X-1200-DD
	3	1,200	10,800	21,000	19,900	18,600	17,300	15,700	FHI3618T-U-1200-DD	FHI3618T-X-1200-DD		FHI3618HL-X-1200-DD
	5	1,200	10,800	24,100	22,800	21,300	19,300	16,900		FHI3619T-X-1200-DD		FHI3619HL-X-1200-DD
	7 1/2	1,200	10,800	26,600	25,400	24,200	23,200	22,100		FHI361AT-X-1200-DD		FHI361AHL-X-1200-DD
42"	2	900	9,460	16,100	15,200	14,300	13,400	12,400		FHI4217T-X-900-DD		
	5	900	9,460	27,900	27,000	26,000	25,000	24,000		FHI4219T-X-900-DD		
		1,200	12,600	28,700	27,700	26,700	25,500	24,200		FHI4219T-X-1200-DD		FHI4219HL-X-1200-DD
48"	3 HP	900	10,800	30,200	27,800	26,100	23,900	19,400		FHI4818T-X-900-DD		
	5 HP	900	10,800	31,400	30,400	29,500	28,500	27,400		FHI4819T-X-900-DD		
	7 1/2	900	10,800	38,700	37,700	36,700	35,700	34,500		FHI481AT-X-900-DD		
	10 HP	1,200	14,500	38,500	37,800	37,000	36,300	35,600		FHI481BT-X-1200-DD		FHI481BHL-X-1200-DD
	15 HP	1,200	14,500	48,600	47,800	47,100	46,400	45,700		FHI481CT-X-1200-DD		FHI481CHL-X-1200-DD
54"	5 HP	900	12,200	36,500	35,100	32,900	31,300	28,300		FHI5419T-X-900-DD		
	7 1/2	900	12,200	47,300	46,000	43,400	41,200	38,500		FHI541AT-X-900-DD		
	10	900	12,200	51,800	49,800	48,300	46,200	44,800		FHI541BT-X-900-DD		
60"	5	900	13,500	38,700	36,300	34,300	31,900	29,500		FHI6019T-X-900-DD		
	7 1/2	900	13,500	44,000	42,300	40,600	39,000	37,300		FHI601AT-X-900-DD		
	10 HP	900	13,500	48,800	47,100	45,500	43,800	42,100		FHI601BT-X-900-DD		

\*See page 105 for information on hazardous location models.

## FHI BELT DRIVE MODELS

Diam	HP	Performance						Totally Enclosed		Hazardous Location*	
		Tip Speed	0.0 SP	.125 SP	.25 SP	.375 SP	.50 SP	1PH	3PH	1PH	3PH
24"	1/2	6,660	5,480	4,920	4,310	3,520	2,030	FHI2413T-U-BD	FHI2413T-X-BD	FHI2413HL-U-BD	FHI2413HL-X-BD
	3/4	7,540	6,150	5,660	5,120	4,530	3,750	FHI2414T-U-BD	FHI2414T-X-BD	FHI2414HL-U-BD	FHI2414HL-X-BD
	1	8,170	6,880	6,450	5,980	5,490	4,920	FHI2415T-U-BD	FHI2415T-X-BD	FHI2415HL-U-BD	FHI2415HL-X-BD
	1 1/2	9,420	8,340	7,960	7,570	7,140	6,670	FHI2416T-U-BD	FHI2416T-X-BD	FHI2416HL-U-BD	FHI2416HL-X-BD
	2	10,600	9,230	8,890	8,550	8,170	7,770	FHI2417T-U-BD	FHI2417T-X-BD	FHI2417HL-U-BD	FHI2417HL-X-BD
30"	1/2	6,940	8,380	7,130	5,020	3,570	2,130	FHI3013T-U-BD	FHI3013T-X-BD	FHI3013HL-U-BD	FHI3013HL-X-BD
	3/4	6,990	9,810	8,730	7,430	5,820	2,990	FHI3014T-U-BD	FHI3014T-X-BD	FHI3014HL-U-BD	FHI3014HL-X-BD
	1	7,700	10,800	9,830	8,690	7,410	4,850	FHI3015T-U-BD	FHI3015T-X-BD	FHI3015HL-U-BD	FHI3015HL-X-BD
	1 1/2	8,640	11,500	10,700	9,800	8,820	7,700	FHI3016T-U-BD	FHI3016T-X-BD	FHI3016HL-U-BD	FHI3016HL-X-BD
	2	9,820	13,800	13,000	12,200	11,300	10,400	FHI3017T-U-BD	FHI3017T-X-BD	FHI3017HL-U-BD	FHI3017HL-X-BD
	3	11,400	16,100	15,000	14,800	14,100	13,300	FHI3018T-U-BD	FHI3018T-X-BD	FHI3018HL-U-BD	FHI3018HL-X-BD
	5	13,700	18,200	17,800	17,300	16,700	16,100		FHI3019T-X-BD		FHI3019HL-X-BD
36"	1	7,730	14,200	12,500	10,600	7,940	4,620	FHI3615T-U-BD	FHI3615T-X-BD	FHI3615HL-U-BD	FHI3615HL-X-BD
	1 1/2	8,860	16,200	14,800	13,300	11,400	8,610	FHI3616T-U-BD	FHI3616T-X-BD	FHI3616HL-U-BD	FHI3616HL-X-BD
	2	9,710	17,800	16,600	15,300	13,700	11,900	FHI3617T-U-BD	FHI3617T-X-BD	FHI3617HL-U-BD	FHI3617HL-X-BD
	3	11,000	20,300	19,200	18,000	16,800	15,400	FHI3618T-U-BD	FHI3618T-X-BD	FHI3618HL-U-BD	FHI3618HL-X-BD
	5	13,200	24,100	23,100	22,200	21,200	20,200		FHI3619T-X-BD		FHI3619HL-X-BD
	7 1/2	15,100	27,700	26,900	26,100	25,200	24,400		FHI361AT-X-BD		FHI361AHL-X-BD
42"	1	7,030	15,500	14,000	12,100	9,400	5,100	FHI4215T-U-BD	FHI4215T-X-BD	FHI4215HL-U-BD	FHI4215HL-X-BD
	1 1/2	6,120	18,000	16,000	13,600	9,900	5,900	FHI4216T-U-BD	FHI4216T-X-BD	FHI4216HL-U-BD	FHI4216HL-X-BD
	2	6,980	20,500	18,700	16,900	14,400	9,600	FHI4217T-U-BD	FHI4217T-X-BD	FHI4217HL-U-BD	FHI4217HL-X-BD
	3	7,810	22,900	21,400	19,800	18,000	15,600	FHI4218T-U-BD	FHI4218T-X-BD	FHI4218HL-U-BD	FHI4218HL-X-BD
	5	9,470	27,800	26,500	25,200	23,900	22,400		FHI4219T-X-BD		FHI4219HL-X-BD
	7 1/2	10,800	31,800	30,600	29,500	28,400	27,300		FHI421AT-X-BD		FHI421AHL-X-BD
	10	12,000	35,300	34,300	33,300	32,300	31,300		FHI421BT-X-BD		FHI421BHL-X-BD
48"	1	7,590	21,200	18,300	13,900	6,300		FHI4815T-U-BD	FHI4815T-X-BD	FHI4815HL-U-BD	FHI4815HL-X-BD
	1 1/2	5,970	22,800	19,800	16,000	8,600	5,200	FHI4816T-U-BD	FHI4816T-X-BD	FHI4816HL-U-BD	FHI4816HL-X-BD
	2	7,110	27,000	24,400	21,500	18,000		FHI4817T-U-BD	FHI4817T-X-BD	FHI4817HL-U-BD	FHI4817HL-X-BD
	3	8,210	31,400	27,000	24,300	21,200	11,100	FHI4818T-U-BD	FHI4818T-X-BD	FHI4818HL-U-BD	FHI4818HL-X-BD
	5	9,610	36,700	34,800	32,900	31,000	28,600		FHI4819T-X-BD		FHI4819HL-X-BD
	7 1/2	11,000	42,100	40,500	38,800	37,200	35,500		FHI481AT-X-BD		FHI481AHL-X-BD
	10	12,100	46,400	44,900	43,400	41,900	40,400		FHI481BT-X-BD		FHI481BHL-X-BD
54"	2	6,930	29,000	25,900	22,000	13,300	7,100	FHI5417T-U-BD	FHI5417T-X-BD	FHI5417HL-U-BD	FHI5417HL-X-BD
	3	7,780	33,200	30,500	27,700	23,700	14,900	FHI5418T-U-BD	FHI5418T-X-BD	FHI5418HL-U-BD	FHI5418HL-X-BD
	5	9,330	39,800	37,500	35,200	32,700	29,400		FHI5419T-X-BD		FHI5419HL-X-BD
	7 1/2	10,700	45,400	43,400	41,400	39,500	37,100		FHI541AT-X-BD		FHI541AHL-X-BD
	10	11,700	49,700	47,900	46,100	44,300	42,400		FHI541BT-X-BD		FHI541BHL-X-BD
60"	2	7,460	33,300	28,900	23,100	14,000		FHI6017T-U-BD	FHI6017T-X-BD	FHI6017HL-U-BD	FHI6017HL-X-BD
	3	6,440	34,400	30,700	25,900	16,800		FHI6018T-U-BD	FHI6018T-X-BD	FHI6018HL-U-BD	FHI6018HL-X-BD
	5	8,010	43,300	40,300	37,100	33,200	28,000		FHI6019T-X-BD		FHI6019HL-X-BD

\*See page 105 for information on hazardous location models.



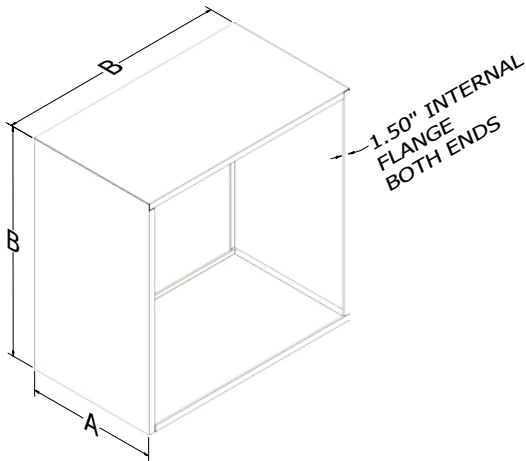
## FHI BELT DRIVE MODELS

Diam	HP	Performance						Totally Enclosed		Hazardous Location*	
		Tip Speed	0.0 SP	.125 SP	.25 SP	.375 SP	.50 SP	1PH	3PH	1PH	3PH
60"	7 1/2 HP	9,580	51,200	48,700	46,200	43,300	40,000		FHI601AT-X-BD		FHI601AHL-X-BD
	10 HP	10,400	55,400	53,000	50,700	48,200	45,200		FHI601BT-X-BD		FHI601BHL-X-BD
	15 HP	12,000	64,300	62,200	60,200	58,200	56,100		FHI601CT-X-BD		FHI601CHL-X-BD
72"	3 HP	9,610	46,800	40,800	33,600	23,600	12,400	FHI7218T-U-BD	FHI7218T-X-BD	FHI7218HL-U-BD	FHI7218HL-X-BD
	5 HP	7,730	54,500	48,500	42,000	33,000	18,000		FHI7219T-X-BD		FHI7219HL-X-BD
	7 1/2 HP	9,610	63,100	58,000	52,600	46,500	38,600		FHI721AT-X-BD		FHI721AHL-X-BD
	10 HP	11,900	70,300	66,100	61,600	57,100	51,700		FHI721BT-X-BD		FHI721BHL-X-BD
	15 HP	10,400	77,500	74,000	70,500	67,000	62,800		FHI721CT-X-BD		FHI721CHL-X-BD
	20 HP	11,500	86,000	82,800	79,600	76,500	73,300		FHI721DT-X-BD		FHI721DHL-X-BD
84"	5 HP	7,480	64,800	56,400	46,800	34,500	15,200		FHI8419T-X-BD		FHI8419HL-X-BD
	7 1/2 HP	9,020	78,100	71,200	63,900	55,700	45,800		FHI841AT-X-BD		FHI841AHL-X-BD
	10 HP	9,700	84,000	77,600	71,100	63,500	55,500		FHI841BT-X-BD		FHI841BHL-X-BD
	15 HP	11,200	97,200	91,600	86,000	80,100	73,500		FHI841CT-X-BD		FHI841CHL-X-BD
	20 HP	11,900	108,600	103,300	98,000	92,500	86,500		FHI841DT-X-BD		FHI841DHL-X-BD
	25 HP	12,300	115,800	110,400	104,900	99,500	93,800		FHI841ET-X-BD		FHI841EHL-X-BD

\*See page 105 for information on hazardous location models.

# FHI SERIES WALL BOXES

Standard sizes for use  
with FHI Belt Drive  
and Direct Drive Fans

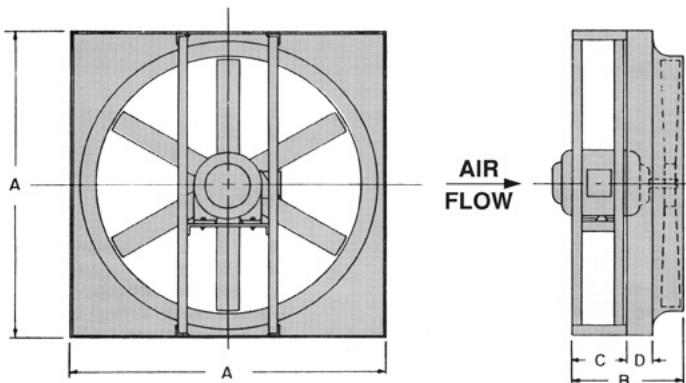


Diameter	A Dimension	B Dimension
24	Varier by Horsepower	30-3/8" O.D.
30		36-3/8" O.D.
36		42-3/8" O.D.
42		48-3/8" O.D.
48		54-3/8" O.D.
54		60-3/8" O.D.
60		66-3/8" O.D.
72		78-3/8" O.D.
84		90-3/8" O.D.

Note: When installation of fan requires a shutter, a minimum of 6" should be allowed between fan blade and shutter. Consult factory for special applications and sizes.

# FHI DIRECT DRIVE DIMENSIONS

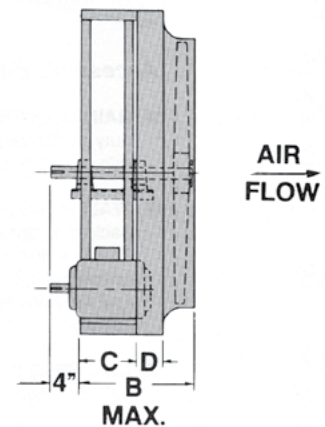
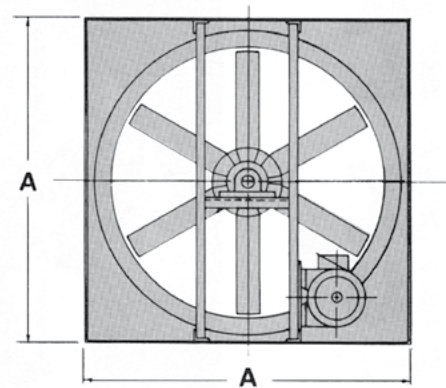
FAN MODEL	MOTOR HP	PROPELLER		DIMENSIONS			
		RPM	DIA.	A	B	C	D
FHI-24-DD	1/2	1150	24	30	16-1/2	9-1/2	3
FHI-24-DD	3/4	1150	24	30	16-1/2	9-1/2	3
FHI-24-DD	1	1150	24	30	16-1/2	9-1/2	3
FHI-24-DD	1-1/2	1750	24	30	16-1/2	9-1/2	3
FHI-30-DD	1/2	860	30	36	17-1/2	10-1/2	3
FHI-30-DD	3/4	860	30	36	17-1/2	10-1/2	3
FHI-30-DD	1	1150	30	36	17-1/2	10-1/2	3
FHI-30-DD	2	1150	30	36	17-1/2	10-1/2	3
FHI-30-DD	3	1750	30	36	17-1/2	10-1/2	3
FHI-36-DD	3/4	860	36	42	17-1/2	10-1/2	3
FHI-36-DD	1	860	36	42	17-1/2	10-1/2	3
FHI-36-DD	2	1150	36	42	17-1/2	10-1/2	3
FHI-36-DD	3	1150	36	42	20	13	3
FHI-36-DD	5	1150	36	42	20	13	3
FHI-36-DD	7-1/2	1150	36	42	20	13	3
FHI-42-DD	2	860	42	48	22	15	3
FHI-42-DD	5	860	42	48	22	15	3
FHI-42-DD	5	1150	42	48	22	15	3
FHI-42-DD	7-1/2	1150	42	48	22	15	3
FHI-42-DD	10	1150	42	48	22	15	3
FHI-48-DD	3	860	48	54	22	13	3
FHI-48-DD	5	860	48	54	22	15	3
FHI-48-DD	7-1/2	860	48	54	22	15	3
FHI-48-DD	7-1/2	1150	48	54	22	15	3
FHI-48-DD	10	1150	48	54	23-1/2	16-1/2	3
FHI-48-DD	15	1150	48	54	23-1/2	16-1/2	3
FHI-54-DD	5	860	54	60	22	15	3
FHI-54-DD	7-1/2	860	54	60	22	15	3
FHI-54-DD	10	860	54	60	23-1/2	16-1/2	3
FHI-60-DD	5	860	60	66	22	15	4
FHI-60-DD	7-1/2	860	60	66	23-1/2	16-1/2	4
FHI-60-DD	10	860	60	66	23-3/4	15-1/2	4



**ALL ANGLE OPERATION:**  
Fan can be mounted vertically in a wall, horizontally in a roof with appropriate hood cover, or at any intermediate angle

# FHI BELT DRIVE DIMENSIONS

FAN	MOTOR	PROPELLER		DIMENSIONS			
MODEL	HP	RPM	DIA.	A	B	C	D
FHI-24-BD	1/2	1063	24	30	16-1/2	9-1/2	3
FHI-24-BD	3/4	1193	24	30	16-1/2	9-1/2	3
FHI-24-BD	1	1335	24	30	16-1/2	9-1/2	3
FHI-24-BD	1-1/2	1529	24	30	16-1/2	9-1/2	3
FHI-24-BD	2	1693	24	30	16-1/2	9-1/2	3
FHI-30-BD	1/2	891	30	36	17-1/2	10-1/2	3
FHI-30-BD	3/4	884	30	36	17-1/2	10-1/2	3
FHI-30-BD	1	980	30	36	17-1/2	10-1/2	3
FHI-30-BD	1-1/2	1118	30	36	17-1/2	10-1/2	3
FHI-30-BD	2	1250	30	36	17-1/2	10-1/2	3
FHI-30-BD	3	1462	30	36	17-1/2	10-1/2	3
FHI-30-BD	5	1773	30	36	17-1/2	10-1/2	3
FHI-36-BD	1	821	36	42	20	13	3
FHI-36-BD	1-1/2	939	36	42	20	13	3
FHI-36-BD	2	1035	36	42	20	13	3
FHI-36-BD	3	1177	36	42	20	13	3
FHI-36-BD	5	1396	36	42	20	13	3
FHI-36-BD	7-1/2	1607	36	42	20	13	3
FHI-42-BD	1	564	42	48	22	15	3
FHI-42-BD	1-1/2	617	42	48	22	15	3
FHI-42-BD	2	678	42	48	22	15	3
FHI-42-BD	3	776	42	48	22	15	3
FHI-42-BD	5	928	42	48	22	15	3
FHI-42-BD	7-1/2	1073	42	48	22	15	3
FHI-42-BD	10	1192	42	48	22	15	3
FHI-48-BD	1	493	48	54	22	15	3
FHI-48-BD	1-1/2	560	48	54	22	15	3
FHI-48-BD	2	616	48	54	22	15	3
FHI-48-BD	3	706	48	54	22	15	3
FHI-48-BD	5	836	48	54	22	15	3
FHI-48-BD	7-1/2	962	48	54	22	15	3
FHI-48-BD	10	1062	48	54	22	15	3
FHI-54-BD	2	560	54	60	22	15	3
FHI-54-BD	3	641	54	60	22	15	3
FHI-54-BD	5	761	54	60	22	15	3
FHI-54-BD	7-1/2	872	54	60	22	15	3
FHI-54-BD	10	962	54	60	22	15	3
FHI-60-BD	2	500	60	66	22	15	4
FHI-60-BD	3	572	60	66	22	15	4
FHI-60-BD	5	679	60	66	22	15	4
FHI-60-BD	7-1/2	777	60	66	22	15	4
FHI-60-BD	10	855	60	66	22	15	4
FHI-72-BD	3	363	72	78	29	18	5
FHI-72-BD	5	427	72	78	29	18	5
FHI-72-BD	7-1/2	488	72	78	29	18	5
FHI-72-BD	10	563	72	78	29	18	5
FHI-72-BD	15	618	72	78	29	18	5
FHI-72-BD	20	690	72	78	29	18	5
FHI-84-BD	5	370	84	90	30	18	6
FHI-84-BD	7-1/2	424	84	90	30	18	6
FHI-84-BD	10	466	84	90	30	18	6
FHI-84-BD	15	534	84	90	30	18	6
FHI-84-BD	20	588	84	90	30	18	6
FHI-84-BD	25	635	84	90	30	18	6







# **ROOF MOUNT FANS**

Moving air efficiently

HHC - HOODED FANS

JD, JBI, JBX - JET UPBLAST FANS



# HOODED FANS

Hooded fans offer a variety of standard construction features for commercial and industrial applications where low noise and economy are required. Direct and V-belt drive units for exhaust, supply or reversible, are available in 24" through 84" diameters with capacities up to 120,000 CFM. The following pages provide complete dimensional and performance information for Hooded Fans.

## Features

- **HOODS** - standard hoods are constructed of heavy galvanized steel and shipped as a complete unit for fixed installation in the field.
- **PROPELLERS** - hooded fans feature heavy-duty cast aluminum propeller with airfoil design blades.

- **FINISH** - standard finish includes a polyester powder coat paint for the entire fan panel, fan support, motor brackets and hood.
- **MOTORS** - heavy duty, 60-cycle motors are designed for continuous duty fan requirements. Totally enclosed motors are standard. Options are available for specific requirements such as explosion-proof, mill and chemical, and textile service.
- **V-BELT DRIVE** - standard V-belt drive components assure smooth operation. Motor and fan pulleys are cast iron sheaves provided with keyways and/or set screws.

## Options

- Disconnect switches
- Louvers
- Access doors
- Filters
- Bird screens
- Special colors and custom construction available



## HOODED DIRECT DRIVE MODELS

- All welded construction
- Cast aluminum propeller
- Polyester powder coat finish
- Custom construction and design available

Diam	HP	RPM	Tip Speed	0.0 SP	.125 SP	.25 SP	.375 SP	.50 SP	Totally Enclosed		Hazardous Location*	
									1 - PH	3 - PH	1 - PH	3 - PH
24"	1/2	1,150	7,230	6,230	5,540	5,150	4,310	3,110	HHC2413T-U-1200-DD	HHC2413T-X-1200-DD	HHC2413HL-U-1200-DD	HHC2413HL-X-1200-DD
	3/4	1,170	7,350	6,940	6,410	5,790	5,050	3,900	HHC2414T-U-1200-DD	HHC2414T-X-1200-DD	HHC2414HL-U-1200-DD	HHC2414HL-X-1200-DD
	1	1,150	7,230	7,270	6,710	6,070	5,790	3,890		HHC2415T-X-1200-DD	HHC2415HL-U-1200-DD	HHC2415HL-X-1200-DD
	1 1/2	1,760	11,100	8,550	8,060	7,480	6,950	6,420	HHC2416T-U-1800-DD	HHC2416T-X-1800-DD	HHC2416HL-U-1800-DD	HHC2416HL-X-1800-DD
	2	1,760	11,100	9,700	9,110	8,570	7,990	7,260	HHC2417T-U-1800-DD	HHC2417T-X-1800-DD	HHC2417HL-U-1800-DD	HHC2417HL-X-1800-DD
30"	1/2	860	6,750	8,230	7,180	5,980	4,010	1,760		HHC3013T-X-900-DD		
	3/4	860	6,750	9,900	8,770	7,370	4,330	2,600		HHC3014T-X-900-DD		
	1	1,150	9,030	9,370	8,660	7,840	6,970	5,920		HHC3015T-X-1200-DD	HHC3015HL-U-1200-DD	HHC3015HL-X-1200-DD
	2	1,150	9,030	13,200	12,400	11,500	10,500	9,330		HHC3017T-X-1200-DD		HHC3017HL-X-1200-DD
	3	1,750	13,700	16,100	15,300	14,500	13,600	12,700	HHC3018T-U-1800-DD	HHC3018T-X-1800-DD	HHC3018HL-U-1800-DD	HHC3018HL-X-1800-DD
36"	3/4	860	8,110	12,900	11,400	9,570	7,350	4,140		HHC3614T-X-900-DD		
	1	860	8,110	14,800	13,300	11,500	9,300	5,790		HHC3615T-X-900-DD		
	2	1,150	10,800	18,600	17,400	16,200	14,900	13,400		HHC3617T-X-1200-DD		HHC3617HL-X-1200-DD
	3	1,150	10,800	21,000	19,900	18,600	17,300	15,700	HHC3618T-U-1200-DD	HHC3618T-X-1200-DD		HHC3618HL-X-1200-DD
	5	1,150	10,800	24,100	22,800	21,300	19,300	16,900		HHC3619T-X-1200-DD		HHC3619HL-X-1200-DD
42"	2	860	9,460	16,100	15,200	14,300	13,400	12,400		HHC4217T-X-900-DD		
	3	860	9,456	21,262	19,890	18,213	16,601	12,325		HHC4218T-X-900-DD		
		1,150	12,600	25,300	24,100	22,700	22,000	19,400	HHC4218T-U-1200-DD	HHC4218T-X-1200-DD		HHC4218HL-X-1200-DD
	5	1,150	12,600	28,700	27,700	26,700	25,500	24,200		HHC4219T-X-1200-DD		HHC4219HL-X-1200-DD
	7 1/2	1,150	12,600	34,100	32,900	31,600	30,500	29,200		HHC421AT-X-1200-DD		HHC421AHL-X-1200-DD
	10	1,150	12,600	39,000	37,700	36,400	35,100	33,700		HHC421BT-X-1200-DD		HHC421BHL-X-1200-DD
48"	2	860	10,800	27,200	25,400	22,400	19,600	15,900		HHC4817T-X-900-DD		
	3	860	10,800	30,200	27,800	26,100	23,900	19,400		HHC4818T-X-900-DD		
	5	860	10,800	31,400	30,400	29,500	28,500	27,400		HHC4819T-X-900-DD		
	7 1/2	860	10,800	38,700	37,700	36,700	35,700	34,500		HHC481AT-X-900-DD		
	10	1,150	14,500	38,500	37,800	37,000	36,300	35,600		HHC481BT-X-1200-DD		HHC481BHL-X-1200-DD
	15	1,150	14,500	48,600	47,800	47,100	46,400	45,700		HHC481CT-X-1200-DD		HHC481CHL-X-1200-DD
54"	5	860	12,200	36,500	35,100	32,900	31,300	28,300		HHC5419T-X-900-DD		
	7 1/2	860	12,200	47,300	46,000	43,400	41,200	38,500		HHC541AT-X-900-DD		
	10	860	12,200	51,800	49,800	48,300	46,200	44,800		HHC541BT-X-900-DD		
60"	5	870	13,700	38,700	36,300	33,800	31,000	28,000		HHC6019T-X-900-DD		
	7 1/2	860	13,500	44,000	42,300	40,600	39,000	37,300		HHC601AT-X-900-DD		
	10	860	13,500	48,800	47,100	45,500	43,800	42,100		HHC601BT-X-900-DD		
	15	860	13,509	62,604	60,377	58,369	55,316	52,556		HHC601CT-X-900-DD		

\*See page 105 for information on hazardous location models.



## HOODED BELT DRIVE MODELS

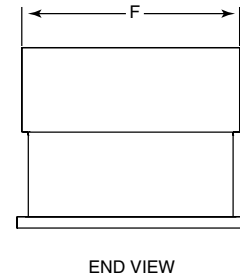
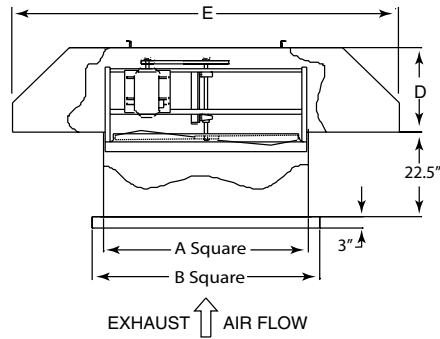
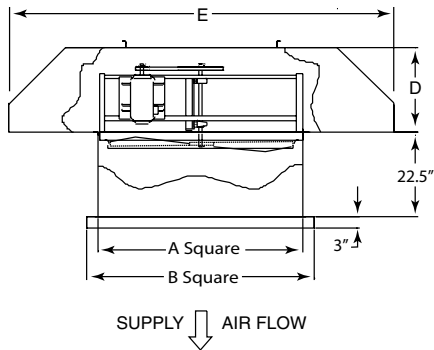
- All welded construction
- Cast aluminum propeller
- Polyester powder coat finish
- Custom construction and design available
- Cast sheave pulleys with key ways and/or set screws

\*See page 105 for information on hazardous location models.

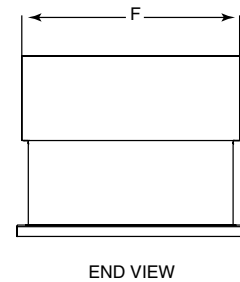
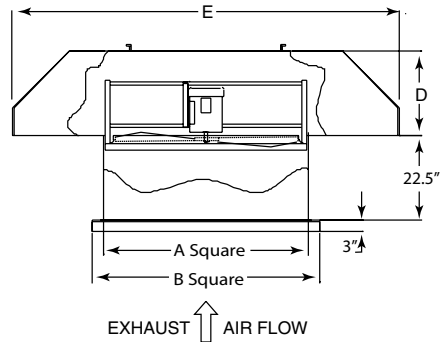
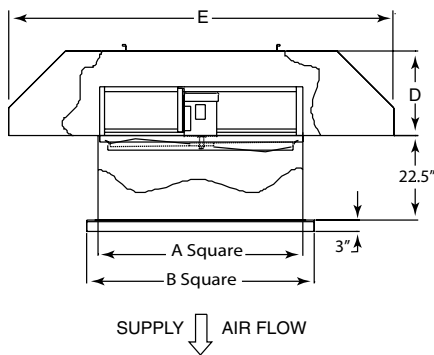
Diam	HP	Tip Speed	0.0 SP	.125 SP	.25 SP	.375 SP	.50 SP	Totally Enclosed		Hazardous Location*	
								1PH	3PH	1PH	3PH
24"	1/2 HP	6,660	5,480	4,920	4,100	2,140	1,600	HHC2413T-U-BD	HHC2413T-X-BD	HHC2413HL-U-BD	HHC2413HL-X-BD
	3/4 HP	6,410	6,150	5,660	5,120	4,530	3,530	HHC2414T-U-BD	HHC2414T-X-BD	HHC2414HL-U-BD	HHC2414HL-X-BD
	1 HP	8,170	7,040	6,550	5,940	5,290	4,610	HHC2415T-U-BD	HHC2415T-X-BD	HHC2415HL-U-BD	HHC2415HL-X-BD
	1 1/2 HP	9,420	8,480	8,050	7,570	7,050	6,480	HHC2416T-U-BD	HHC2416T-X-BD	HHC2416HL-U-BD	HHC2416HL-X-BD
	2 HP	10,600	9,230	8,890	8,300	7,420	6,320	HHC2417T-U-BD	HHC2417T-X-BD	HHC2417HL-U-BD	HHC2417HL-X-BD
	3 HP	12,100	10,740	10,420	10,100	9,710	9,270	HHC2418T-U-BD	HHC2418T-X-BD	HHC2418HL-U-BD	HHC2418HL-X-BD
30"	1/2 HP	6,940	8,380	7,130	5,020	2,867	2,130	HHC3013T-U-BD	HHC3013T-X-BD	HHC3013HL-U-BD	HHC3013HL-X-BD
	3/4 HP	6,990	9,810	8,730	7,430	5,820	2,990	HHC3014T-U-BD	HHC3014T-X-BD	HHC3014HL-U-BD	HHC3014HL-X-BD
	1 HP	7,700	10,800	9,830	8,690	7,410	4,850	HHC3015T-U-BD	HHC3015T-X-BD	HHC3015HL-U-BD	HHC3015HL-X-BD
	1 1/2 HP	8,640	11,500	10,700	9,800	8,820	7,700	HHC3016T-U-BD	HHC3016T-X-BD	HHC3016HL-U-BD	HHC3016HL-X-BD
	2 HP	9,820	13,800	13,000	12,200	11,300	10,400	HHC3017T-U-BD	HHC3017T-X-BD	HHC3017HL-U-BD	HHC3017HL-X-BD
	3 HP	11,500	15,900	15,000	14,700	14,000	13,300	HHC3018T-U-BD	HHC3018T-X-BD	HHC3018HL-U-BD	HHC3018HL-X-BD
36"	1 HP	7,920	13,900	12,100	10,000	7,300	4,620	HHC3615T-U-BD	HHC3615T-X-BD	HHC3615HL-U-BD	HHC3615HL-X-BD
	1 1/2 HP	8,860	16,200	14,800	13,300	11,400	8,610	HHC3616T-U-BD	HHC3616T-X-BD	HHC3616HL-U-BD	HHC3616HL-X-BD
	2 HP	9,710	17,800	16,600	15,300	13,700	11,900	HHC3617T-U-BD	HHC3617T-X-BD	HHC3617HL-U-BD	HHC3617HL-X-BD
	3 HP	10,900	20,300	19,200	18,000	16,800	15,400	HHC3618T-U-BD	HHC3618T-X-BD	HHC3618HL-U-BD	HHC3618HL-X-BD
	5 HP	13,200	24,100	23,100	22,200	21,200	20,200		HHC3619T-X-BD		HHC3619HL-X-BD
	7 1/2 HP	15,100	27,700	26,900	26,100	25,200	24,400		HHC361AT-X-BD		HHC361AHL-X-BD
42"	1 1/2 HP	6,120	18,000	16,000	13,600	9,900	5,900	HHC4216T-U-BD	HHC4216T-X-BD	HHC4216HL-U-BD	HHC4216HL-X-BD
	2 HP	6,980	20,500	18,700	16,900	14,400	9,600	HHC4217T-U-BD	HHC4217T-X-BD	HHC4217HL-U-BD	HHC4217HL-X-BD
	3 HP	7,810	22,900	21,400	19,800	18,000	15,600	HHC4218T-U-BD	HHC4218T-X-BD	HHC4218HL-U-BD	HHC4218HL-X-BD
	5 HP	9,470	27,800	26,500	25,200	23,900	22,400		HHC4219T-X-BD		HHC4219HL-X-BD
	7 1/2 HP	10,800	31,800	30,600	29,500	28,400	27,300		HHC421AT-X-BD		HHC421AHL-X-BD
	10 HP	12,000	35,300	34,300	33,300	32,300	31,300		HHC421BT-X-BD		HHC421BHL-X-BD
48"	1 1/2 HP	5,970	22,800	19,800	16,000	8,600	5,200	HHC4816T-U-BD	HHC4816T-X-BD	HHC4816HL-U-BD	HHC4816HL-X-BD
	2 HP	7,110	27,000	24,400	21,500	18,000		HHC4817T-U-BD	HHC4817T-X-BD	HHC4817HL-U-BD	HHC4817HL-X-BD
	3 HP	8,210	31,400	27,000	24,300	21,200	11,100	HHC4818T-U-BD	HHC4818T-X-BD	HHC4818HL-U-BD	HHC4818HL-X-BD
	5 HP	9,610	36,700	34,800	32,900	31,000	28,600		HHC4819T-X-BD		HHC4819HL-X-BD
	7 1/2 HP	11,000	42,100	40,500	38,800	37,200	35,500		HHC481AT-X-BD		HHC481AHL-X-BD
	10 HP	12,100	46,400	44,900	43,400	41,900	40,400		HHC481BT-X-BD		HHC481BHL-X-BD
54"	2 HP	6,930	29,000	25,900	22,000	13,300	7,100	HHC5417T-U-BD	HHC5417T-X-BD	HHC5417HL-U-BD	HHC5417HL-X-BD
	3 HP	7,780	33,200	30,500	27,700	23,700	14,900	HHC5418T-U-BD	HHC5418T-X-BD	HHC5418HL-U-BD	HHC5418HL-X-BD
	5 HP	9,330	39,800	37,500	35,200	32,700	29,400		HHC5419T-X-BD		HHC5419HL-X-BD
	7 1/2 HP	10,700	45,400	43,400	41,400	39,500	37,100		HHC541AT-X-BD		HHC541AHL-X-BD
	10 HP	11,700	49,700	47,900	46,100	44,300	42,400		HHC541BT-X-BD		HHC541BHL-X-BD
60"	2 HP	7,460	33,300	28,900	23,100	14,000		HHC6017T-U-BD	HHC6017T-X-BD	HHC6017HL-U-BD	HHC6017HL-X-BD
	3 HP	6,440	34,400	30,700	25,900	16,800		HHC6018T-U-BD	HHC6018T-X-BD	HHC6018HL-U-BD	HHC6018HL-X-BD
	5 HP	8,010	43,300	40,300	37,100	33,200	28,000		HHC6019T-X-BD		HHC6019HL-X-BD
	7 1/2 HP	9,580	51,200	48,700	46,200	43,300	40,000		HHC601AT-X-BD		HHC601AHL-X-BD
	10 HP	10,400	55,400	53,000	50,700	48,200	45,200		HHC601BT-X-BD		HHC601BHL-X-BD
	15 HP	12,000	64,300	62,200	60,200	58,200	56,100		HHC601CT-X-BD		HHC601CHL-X-BD

# ROOF MOUNT FAN DIMENSIONS

## BELT DRIVE



## DIRECT DRIVE



BLADE DIA.	Inside Dimensions			E	F	APPROX. WT. (LBS.)
	A	B	D			
24	30	36	12	60	34	300
30	36	42	15	72	40	340
36	42	48	18	82	46	430
42	48	54	21	92	52	500
48	54	60	22-1/2	102	58	575
54	60	66	22-1/2	108	64	800
60	66	72	28-1/2	120	70	875





# JET UPBLAST FANS

Jet Upblast fans are designed for heavy duty commercial and industrial applications. Airfoil cast aluminum propellers are spark resistant.

All welded construction assures long life and accurate drive alignment for maximum fan performance and minimum vibration.

Direct drive units are available in 24" to 60" diameters.

Belt drive units are available in 24" to 84" diameters.

## Features

- CURB BASE - heavy gauge galvanized sheet steel base. All welded construction gives long maintenance-free service.
- AIRFOIL ALUMINUM BLADES - cast aluminum airfoil blades mounted on heavy duty cast aluminum fixed pitch hub for quiet, efficient operation.
- WIND BAND - galvanized sheet steel with two formed reinforcing ribs. It affords protection from weather and cross winds.
- THROAT - galvanized steel inner throat is riveted to the deep venturi-type orifice for quieter, more efficient operation.
- EXTERNAL BRACING - used on larger units to give extra rigidity and prevent sagging and vibration.
- DAMPER LIDS - opens automatically when fan is turned on, closes automatically when fan stops.
- POSITIVE BUMPER STOPS - adjustable neoprene tipped bumper stops assure closure of damper lids when fan is cut off, yet permit maximum airflow when open.



## DIRECT DRIVE JET UPBLAST MODELS

- All welded construction
- Cast aluminum propeller
- Polyester powder coat finish
- Motor is inside the airstream

Diam	HP	RPM	Tip Speed	0.0 SP	.125 SP	.25 SP	.375 SP	.50 SP	Totally Enclosed		Hazardous Location*	
									1PH	3PH	1PH	3PH
24"	1/2	1150	7,230	6,230	5,540	5,150	4,310	3,110	JD2413T-U-1200	JD2413T-X-1200	JD2413HL-U-1200	JD2413HL-X-1200
	3/4	1170	7,350	6,940	6,410	5,790	5,050	3,900	JD2414T-U-1200	JD2414T-X-1200	JD2414HL-U-1200	JD2414HL-X-1200
	1	1150	7,230	7,270	6,710	6,070	5,790	3,890		JD2415T-X-1200	JD2415HL-U-1200	JD2415HL-X-1200
	1 1/2	1760	11,100	8,550	8,060	7,480	6,950	6,420	JD2416T-U-1800	JD2416T-X-1800	JD2416HL-U-1800	JD2416HL-X-1800
	2	1760	11,100	9,700	9,110	8,570	7,990	7,260	JD2417T-U-1800	JD2417T-X-1800	JD2417HL-U-1800	JD2417HL-X-1800
30"	1/2	860	6,750	8,230	7,180	5,980	4,010	1,760		JD3013T-X-900		
	3/4	860	6,750	9,900	8,770	7,370	4,330	2,600		JD3014T-X-900		
	1	1150	9,030	9,370	8,660	7,840	6,970	5,920		JD3015T-X-1200	JD3015HL-U-1200	JD3015HL-X-1200
	2	1150	9,030	13,200	12,400	11,500	10,500	9,330		JD3017T-X-1200		JD3017HL-X-1200
	3	1750	13,700	16,100	15,300	14,500	13,600	12,700	JD3018T-U-1800	JD3018T-X-1800	JD3018HL-U-1800	JD3018HL-X-1800
36"	3/4	860	8,110	12,900	11,400	9,570	7,350	4,140		JD3614T-X-900		
	1	860	8,110	14,800	13,300	11,500	9,300	5,790		JD3615T-X-900		
	2	1150	10,800	18,600	17,400	16,200	14,900	13,400		JD3617T-X-1200		JD3617HL-X-1200
	3	1150	10,800	21,000	19,900	18,600	17,300	15,700	JD3618T-U-1200	JD3618T-X-1200		JD3618HL-X-1200
	5	1150	10,800	24,100	22,800	21,300	19,300	16,900		JD3619T-X-1200		JD3619HL-X-1200
	7 1/2	1150	10,800	26,600	25,400	24,200	23,200	22,100		JD361AT-X-1200		JD361AHL-X-1200
42"	2	860	9,460	16,100	15,200	14,300	13,400	12,400		JD4217T-X-900		
	3	860	9,460	25,500	24,000	22,200	21,500	18,400		JD4218T-X-900		
		1150	12,600	25,300	24,100	22,700	22,000	19,400	JD4218T-U-1200	JD4218T-X-1200		JD4218HL-X-1200
	5	860	9,460	27,900	27,000	26,000	25,000	24,000		JD4219T-X-900		
		1150	12,600	28,700	27,700	26,700	25,500	24,200		JD4219T-X-1200		JD4219HL-X-1200
	7 1/2	1150	12,600	34,100	32,900	31,600	30,500	29,200		JD421AT-X-1200		JD421AHL-X-1200
	10	1150	12,600	39,000	37,700	36,400	35,100	33,700		JD421BT-X-1200		JD421BHL-X-1200
48"	2	860	10,800	27,200	25,400	22,400	19,600	15,900		JD4817T-X-900		
	3	860	10,800	30,200	27,800	26,100	23,900	19,400		JD4818T-X-900		
	5	860	10,800	31,400	30,400	29,500	28,500	27,400		JD4819T-X-900		
	7 1/2	860	10,800	38,700	37,700	36,700	35,700	34,500		JD481AT-X-900		
		1150	14,500	36,200	34,900	34,000	33,100	31,600		JD481AT-X-1200		JD481AHL-X-1200
	10	1150	14,500	38,500	37,800	37,000	36,300	35,600		JD481BT-X-1200		JD481BHL-X-1200
	15	1150	14,500	48,600	47,800	47,100	46,400	45,700		JD481CT-X-1200		JD481CHL-X-1200
54"	5	860	12,200	36,500	35,100	32,900	31,300	28,300		JD5419T-X-900		
	7 1/2	860	12,200	47,300	46,000	43,400	41,200	38,500		JD541AT-X-900		
	10	860	12,200	51,800	49,800	48,300	46,200	44,800		JD541BT-X-900		
60"	5	870	13,700	38,700	36,300	33,800	31,000	28,000		JD6019T-X-900		
	7 1/2	860	13,500	44,000	42,300	40,600	39,000	37,300		JD601AT-X-900		
	10	860	13,500	48,800	47,100	45,500	43,800	42,100		JD601BT-X-900		

\*See page 105 for information on hazardous location models.



## BELT DRIVE JET UPBLAST MODELS

- All welded construction
- Cast aluminum propeller
- Polyester powder coat finish
- Motor, belt drive and pulleys are inside the airstream
- Fan serviced from interior of building

Diam	HP	Tip Speed	0.0 SP	.125 SP	.25 SP	.375 SP	.50 SP	Totally Enclosed		Hazardous Location*	
								1PH	3PH	1PH	3PH
24"	1/2	6,660	5,480	4,920	4,100	2,140	1,600	JB12413T-U	JB12413T-X	JB12413HL-U	JB12413HL-X
	3/4	6,410	6,150	5,660	5,120	4,530	3,530	JB12414T-U	JB12414T-X	JB12414HL-U	JB12414HL-X
	1	8,170	7,040	6,550	5,940	5,290	4,610	JB12415T-U	JB12415T-X	JB12415HL-U	JB12415HL-X
	1 1/2	9,420	8,480	8,050	7,570	7,050	6,480	JB12416T-U	JB12416T-X	JB12416HL-U	JB12416HL-X
	2	10,600	9,230	8,890	8,300	7,420	6,320	JB12417T-U	JB12417T-X	JB12417HL-U	JB12417HL-X
	3	12,100	10,740	10,420	10,100	9,710	9,270	JB12418T-U	JB12418T-X	JB12418HL-U	JB12418HL-X
30"	1/2	6,940	8,460	7,450	6,290	4,600	2,130	JB13013T-U	JB13013T-X	JB13013HL-U	JB13013HL-X
	3/4	6,990	9,810	8,730	7,430	5,820	2,990	JB13014T-U	JB13014T-X	JB13014HL-U	JB13014HL-X
	1	7,700	10,800	9,830	8,690	7,410	4,850	JB13015T-U	JB13015T-X	JB13015HL-U	JB13015HL-X
	1 1/2	8,640	11,500	10,700	9,800	8,820	7,700	JB13016T-U	JB13016T-X	JB13016HL-U	JB13016HL-X
	2	9,820	13,800	13,000	12,200	11,300	10,400	JB13017T-U	JB13017T-X	JB13017HL-U	JB13017HL-X
	3	11,500	15,900	15,000	14,700	14,000	13,300	JB13018T-U	JB13018T-X	JB13018HL-U	JB13018HL-X
	5	13,700	18,200	17,800	17,300	16,700	16,100		JB13019T-X		JB13019HL-X
36"	1	7,920	13,900	12,100	10,000	7,300	4,620	JB13615T-U	JB13615T-X	JB13615HL-U	JB13615HL-X
	1 1/2	8,860	16,200	14,800	13,300	11,400	8,610	JB13616T-U	JB13616T-X	JB13616HL-U	JB13616HL-X
	2	9,710	17,800	16,600	15,300	13,700	11,900	JB13617T-U	JB13617T-X	JB13617HL-U	JB13617HL-X
	3	10,900	20,300	19,200	18,000	16,800	15,400	JB13618T-U	JB13618T-X	JB13618HL-U	JB13618HL-X
	5	13,200	24,100	23,100	22,200	21,200	20,200		JB13619T-X		JB13619HL-X
	7 1/2	15,100	27,700	26,900	26,100	25,200	24,400		JB1361AT-X		JB1361AHL-X
42"	1 1/2	6,120	18,000	16,000	13,600	9,900	5,900	JB14216T-U	JB14216T-X	JB14216HL-U	JB14216HL-X
	2	6,980	20,500	18,700	16,900	14,400	9,600	JB14217T-U	JB14217T-X	JB14217HL-U	JB14217HL-X
	3	7,810	22,900	21,400	19,800	18,000	15,600	JB14218T-U	JB14218T-X	JB14218HL-U	JB14218HL-X
	5	9,470	27,800	26,500	25,200	23,900	22,400		JB14219T-X		JB14219HL-X
	7 1/2	10,800	31,800	30,600	29,500	28,400	27,300		JB1421AT-X		JB1421AHL-X
	10	12,000	35,300	34,300	33,300	32,300	31,300		JB1421BT-X		JB1421BHL-X
48"	1 1/2	5,970	22,800	19,800	16,000	8,600	5,200	JB14816T-U	JB14816T-X	JB14816HL-U	JB14816HL-X
	2	7,110	27,000	24,400	21,500	18,000		JB14817T-U	JB14817T-X	JB14817HL-U	JB14817HL-X
	3	8,210	31,400	27,000	24,300	21,200	11,100	JB14818T-U	JB14818T-X	JB14818HL-U	JB14818HL-X
	5	9,610	36,700	34,800	32,900	31,000	28,600		JB14819T-X		JB14819HL-X
	7 1/2	11,000	42,100	40,500	38,800	37,200	35,500		JB1481AT-X		JB1481AHL-X
	10	12,100	46,400	44,900	43,400	41,900	40,400		JB1481BT-X		JB1481BHL-X
54"	2	6,930	29,000	25,900	22,000	13,300	7,100	JB15417T-U	JB15417T-X	JB15417HL-U	JB15417HL-X
	3	7,780	33,200	30,500	27,700	23,700	14,900	JB15418T-U	JB15418T-X	JB15418HL-U	JB15418HL-X
	5	9,330	39,800	37,500	35,200	32,700	29,400		JB15419T-X		JB15419HL-X
	7 1/2	10,700	45,400	43,400	41,400	39,500	37,100		JB1541AT-X		JB1541AHL-X
	10	11,700	49,700	47,900	46,100	44,300	42,400		JB1541BT-X		JB1541BHL-X

\*See page 105 for information on hazardous location models.



## BELT DRIVE JET UPBLAST MODELS

- All welded construction
- Cast aluminum propeller
- Polyester powder coat finish
- Motor, belt drive and pulleys are inside the airstream
- Fan serviced from interior of building

Diam	HP	Tip Speed	0.0 SP	.125 SP	.25 SP	.375 SP	.50 SP	Totally Enclosed		Hazardous Location*	
								1PH	3PH	1PH	3PH
60"	2	7,460	33,300	28,900	23,100	14,000		JB16017T-U	JB16017T-X	JB16017HL-U	JB16017HL-X
	3	6,440	34,400	30,700	25,900	16,800		JB16018T-U	JB16018T-X	JB16018HL-U	JB16018HL-X
	5	8,010	43,300	40,300	37,100	33,200	28,000		JB16019T-X		JB16019HL-X
	7 1/2	9,580	51,200	48,700	46,200	43,300	40,000		JB1601AT-X		JB1601AHL-X
	10	10,400	55,400	53,000	50,700	48,200	45,200		JB1601BT-X		JB1601BHL-X
72"	3	9,610	46,800	40,800	33,600	23,600	12,400	JB17218T-U	JB17218T-X	JB17218HL-U	JB17218HL-X
	5	7,730	54,500	48,500	42,000	33,000	18,000		JB17219T-X		JB17219HL-X
	7 1/2	9,610	63,100	58,000	52,600	46,500	38,600		JB1721AT-X		JB1721AHL-X
	10	11,900	70,300	66,100	61,600	57,100	51,700		JB1721BT-X		JB1721BHL-X
	15	10,400	77,500	74,000	70,500	67,000	62,800		JB1721CT-X		JB1721CHL-X
	20	11,500	86,000	82,800	79,600	76,500	73,300		JB1721DT-X		JB1721DHL-X
84"	5	7,480	64,800	56,400	46,800	34,500	15,200		JB18419T-X		JB18419HL-X
	7 1/2	9,020	78,100	71,200	63,900	55,700	45,800		JB1841AT-X		JB1841AHL-X
	10	9,700	84,000	77,600	71,100	63,500	55,500		JB1841BT-X		JB1841BHL-X
	15	11,200	97,200	91,600	86,000	80,100	73,500		JB1841CT-X		JB1841CHL-X
	20	11,900	108,600	103,300	98,000	92,500	86,500		JB1841DT-X		JB1841DHL-X
	25	12,300	115,800	110,400	104,900	99,500	93,800		JB1841ET-X		JB1841EHL-X

\*See page 105 for information on hazardous location models.



## BELT DRIVE JET UPBLAST MODELS

- All welded construction
- Cast aluminum propeller
- Polyester powder coat finish
- Motor, belt drive and pulleys are outside the airstream
- Fan serviced from roof of building

Diam	HP	Tip Speed	0.0 SP	.125 SP	.25 SP	.375 SP	.50 SP	Totally Enclosed		Hazardous Location*	
								1PH	3PH	1PH	3PH
24"	1/2	6,660	5,480	4,920	4,310	3,520	2,030	JBX2413T-U	JBX2413T-X	JBX2413HL-U	JBX2413HL-X
	3/4	7,540	6,150	5,660	5,120	4,530	3,750	JBX2414T-U	JBX2414T-X	JBX2414HL-U	JBX2414HL-X
	1	8,170	6,880	6,450	5,980	5,490	4,920	JBX2415T-U	JBX2415T-X	JBX2415HL-U	JBX2415HL-X
	1 1/2	9,420	8,340	7,960	7,570	7,140	6,670	JBX2416T-U	JBX2416T-X	JBX2416HL-U	JBX2416HL-X
	2	10,600	9,230	8,890	8,550	8,170	7,770	JBX2417T-U	JBX2417T-X	JBX2417HL-U	JBX2417HL-X
	3	12,095	10,735	10,421	10,120	9,782	9,424	JBX2418T-U	JBX2418T-X	JBX2418HL-U	JBX2418HL-X
30"	1/2	6,940	8,460	7,450	6,290	4,600	2,130	JBX3013T-U	JBX3013T-X	JBX3013HL-U	JBX3013HL-X
	3/4	6,990	9,810	8,730	7,430	5,820	2,990	JBX3014T-U	JBX3014T-X	JBX3014HL-U	JBX3014HL-X
	1	7,700	10,800	9,830	8,690	7,410	4,850	JBX3015T-U	JBX3015T-X	JBX3015HL-U	JBX3015HL-X
	1 1/2	8,640	11,500	10,700	9,800	8,820	7,700	JBX3016T-U	JBX3016T-X	JBX3016HL-U	JBX3016HL-X
	2	9,820	13,800	13,000	12,200	11,300	10,400	JBX3017T-U	JBX3017T-X	JBX3017HL-U	JBX3017HL-X
	3	11,400	16,100	15,000	14,800	14,100	13,300	JBX3018T-U	JBX3018T-X	JBX3018HL-U	JBX3018HL-X
	5	13,700	18,200	17,800	17,300	16,700	16,100		JBX3019T-X		JBX3019HL-X
36"	1	7,730	14,200	12,500	10,600	7,940	4,620	JBX3615T-U	JBX3615T-X	JBX3615HL-U	JBX3615HL-X
	1 1/2	8,860	16,200	14,800	13,300	11,400	8,610	JBX3616T-U	JBX3616T-X	JBX3616HL-U	JBX3616HL-X
	2	9,710	17,800	16,600	15,300	13,700	11,900	JBX3617T-U	JBX3617T-X	JBX3617HL-U	JBX3617HL-X
	3	11,000	20,300	19,200	18,000	16,800	15,400	JBX3618T-U	JBX3618T-X	JBX3618HL-U	JBX3618HL-X
	5	13,200	24,100	23,100	22,200	21,200	20,200		JBX3619T-X		JBX3619HL-X
	7 1/2	15,100	27,700	26,900	26,100	25,200	24,400		JBX361AT-X		JBX361AHL-X
42"	1 1/2	6,120	18,000	16,000	13,600	9,900	5,900	JBX4216T-U	JBX4216T-X	JBX4216HL-U	JBX4216HL-X
	2	6,980	20,500	18,700	16,900	14,400	9,600	JBX4217T-U	JBX4217T-X	JBX4217HL-U	JBX4217HL-X
	3	7,810	22,900	21,400	19,800	18,000	15,600	JBX4218T-U	JBX4218T-X	JBX4218HL-U	JBX4218HL-X
	5	9,470	27,800	26,500	25,200	23,900	22,400		JBX4219T-X		JBX4219HL-X
	7 1/2	10,800	31,800	30,600	29,500	28,400	27,300		JBX421AT-X		JBX421AHL-X
	10	12,000	35,300	34,300	33,300	32,300	31,300		JBX421BT-X		JBX421BHL-X
48"	1 1/2	5,970	22,800	19,800	16,000	8,600		JBX4816T-U	JBX4816T-X	JBX4816HL-U	JBX4816HL-X
	2	7,110	27,000	24,400	21,500	18,000		JBX4817T-U	JBX4817T-X	JBX4817HL-U	JBX4817HL-X
	3	8,210	31,400	27,000	24,300	21,200	11,100	JBX4818T-U	JBX4818T-X	JBX4818HL-U	JBX4818HL-X
	5	9,610	36,700	34,800	32,900	31,000	28,600		JBX4819T-X		JBX4819HL-X
	7 1/2	11,000	42,100	40,500	38,800	37,200	35,500		JBX481AT-X		JBX481AHL-X
	10	12,100	46,400	44,900	43,400	41,900	40,400		JBX481BT-X		JBX481BHL-X
54"	2	6,930	29,000	25,900	22,000	13,300	7,100	JBX5417T-U	JBX5417T-X	JBX5417HL-U	JBX5417HL-X
	3	7,780	33,200	30,500	27,700	23,700	14,900	JBX5418T-U	JBX5418T-X	JBX5418HL-U	JBX5418HL-X
	5	9,330	39,800	37,500	35,200	32,700	29,400		JBX5419T-X		JBX5419HL-X
	7 1/2	10,700	45,400	43,400	41,400	39,500	37,100		JBX541AT-X		JBX541AHL-X
	10	11,700	49,700	47,900	46,100	44,300	42,400		JBX541BT-X		JBX541BHL-X

\*See page 105 for information on hazardous location models.





## BELT DRIVE JET UPBLAST MODELS

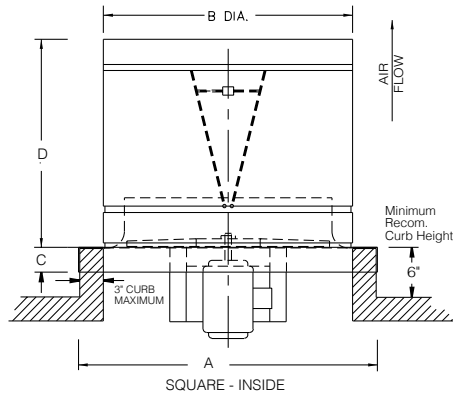
- All welded construction
- Cast aluminum propeller
- Polyester powder coat finish
- Motor belt drive and pulleys are inside the airstream
- Fan serviced from interior of building

								Totally Enclosed		Hazardous Location*	
Diam	HP	Tip Speed	0.0 SP	.125 SP	.25 SP	.375 SP	.50 SP	1PH	3PH	1PH	3PH
60"	2	7,460	33,300	28,900	23,100	14,000		JBX6017T-U	JBX6017T-X	JBX6017HL-U	JBX6017HL-X
	3	6,440	34,400	30,700	25,900	16,800		JBX6018T-U	JBX6018T-X	JBX6018HL-U	JBX6018HL-X
	5	8,010	43,300	40,300	37,100	33,200	28,000		JBX6019T-X		JBX6019HL-X
	7 1/2	9,580	51,200	48,700	46,200	43,300	40,000		JBX601AT-X		JBX601AHL-X
	10	10,400	55,400	53,000	50,700	48,200	45,200		JBX601BT-X		JBX601BHL-X
72"	3	9,610	46,800	40,800	33,600	23,600	12,400	JBX7218T-U	JBX7218T-X	JBX7218HL-U	JBX7218HL-X
	5	7,730	54,500	48,500	42,000	33,000	18,000		JBX7219T-X		JBX7219HL-X
	7 1/2	9,610	63,100	58,000	52,600	46,500	38,600		JBX721AT-X		JBX721AHL-X
	10	11,900	70,300	66,100	61,600	57,100	51,700		JBX721BT-X		JBX721BHL-X
	15	10,400	77,500	74,000	70,500	67,000	62,800		JBX721CT-X		JBX721CHL-X
	20	11,500	86,000	82,800	79,600	76,500	73,300		JBX721DT-X		JBX721DHL-X

\*See page 105 for information on hazardous location models.

# JET UPBLAST DIMENSIONS

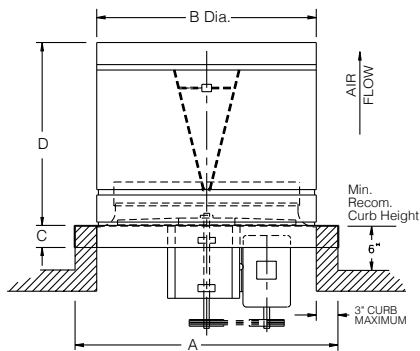
## MOTOR IN AIRSTREAM



### JD (Direct Drive)

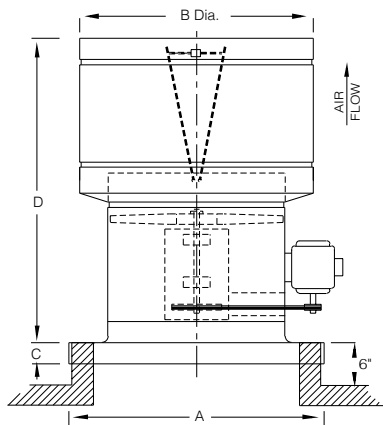
MODEL	DIMENSIONS				
	A	B	C	D	E
JD-24	36	33	3	25	30 ¼
JD-30	42	39	3	28	36 ¼
JD-36	48	45	3	31	42 ¼
JD-42	54	51	3	34	48 ¼
JD-48	60	57	3	37	54 ¼
JD-54	66	63	3	40	60 ¼
JD-60	72	69	3	43	66 ¼

### JBI (Belt Drive)



MODEL	DIMENSIONS				
	A	B	C	D	E
JBI-24	36	33	3	25	30 ¼
JBI-30	42	39	3	28	36 ¼
JBI-36	48	45	3	31	42 ¼
JBI-42	54	51	3	34	48 ¼
JBI-48	60	57	3	37	54 ¼
JBI-54	66	63	3	40	60 ¼
JBI-60	72	69	3	43	66 ¼
JBI-72	84	80	3	49	78 ¼
JBI-84	96	92	3	49	90 ¼

## MOTOR OUT OF AIRSTREAM



### JBX (Belt Drive)

MODEL	DIMENSIONS			
	A	B	C	D
JBX-24	36	33	3	46
JBX-30	42	39	3	59
JBX-36	48	45	3	59
JBX-42	54	51	3	62
JBX-48	60	57	3	65
JBX-54	66	63	3	68
JBX-60	72	69	3	77
JBX-72	84	80	3	86
JBX-84	96	92	3	92

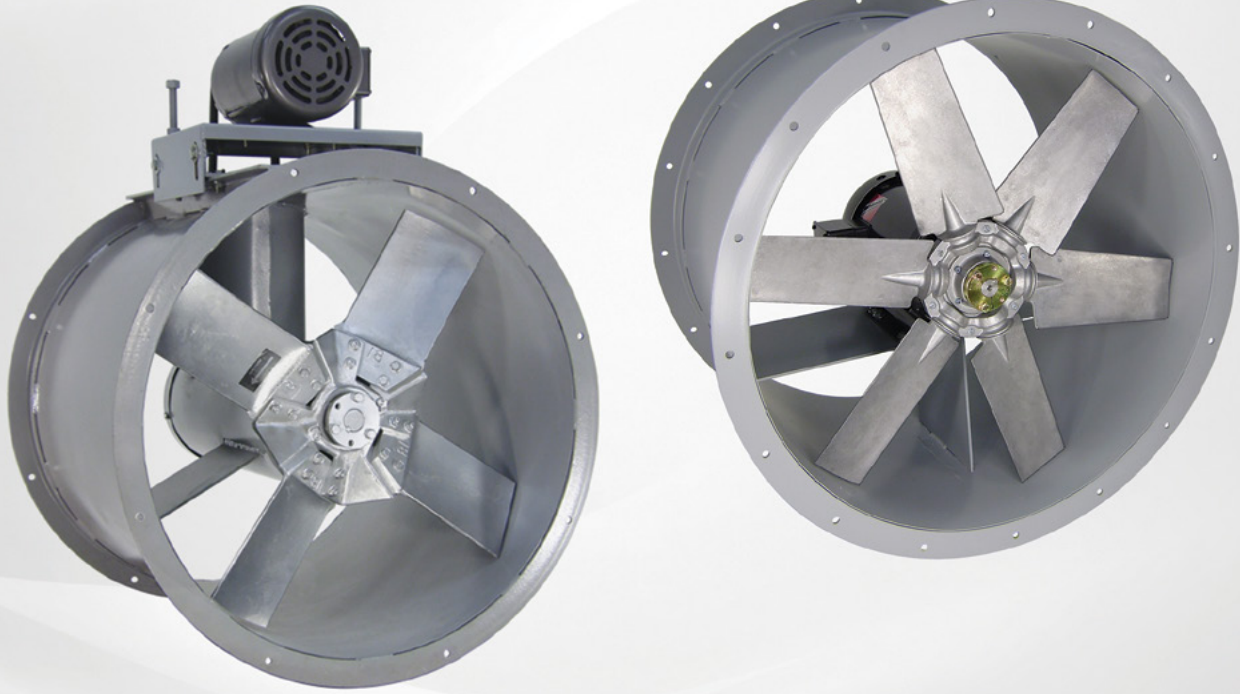


**TUBE  
AXIAL  
FANS**

Moving air powerfully

TAD - TUBE AXIAL DIRECT DRIVE FANS

TAB - TUBE AXIAL BELT DRIVE FANS



# TUBE AXIAL FANS

Triangle's Tube Axial Fans employ an all welded construction and are designed and engineered to deliver excellent airflow. Tube Axial Fans can be utilized for supply or exhaust applications.

## Features

- Standard sizes 20," 24," 30," 36," 42" and 48" inside diameter (custom sizes available— please consult factory for options and availability.)
- CFM ranges from 5,730 to 57,100
- Intake or exhaust systems
- Welded heavy gauge steel construction
- Standard finish: durable gray polyester powder coat

## Options

- Inlet or outlet screen guards are required when the fan installation is below 7' from the floor.
- Access doors are recommended for direct drive TAD fans when installed in duct systems for drive inspection.
- Formed angle mounting legs bolt to the fan housing flanges to facilitate wall or ceiling mounting.
- Companion flanges are available to match fan flanges for duct installation.
- Operational range up to 150° F subject to motor design temperature limitations



## TUBE AXIAL DIRECT DRIVE MODELS

- All welded construction
- Gray polyester powder coat finish
- Cast aluminum propeller
- For applications without corrosive or contaminated airstreams

Diam	HP	RPM	Tip Speed	Performance					Totally Enclosed		Hazardous Location*	
				0.0 SP	.125 SP	.25 SP	.375 SP	.50 SP	1PH	3PH	1PH	3PH
24"	1/2	1150	7225	5,850	5,200	4,830	4,050	2,920	TAD2413T-U-1200	TAD2413T-X-1200	TAD2413HL-U-1200	TAD2413HL-X-1200
	3/4	1150	7225	6,520	6,020	5,440	4,740	3,660	TAD2414T-U-1200	TAD2414T-X-1200	TAD2414HL-U-1200 (!)	TAD2414HL-X-1200
	1	1750	11100	6,960	6,460	5,970	5,440	4,960	TAD2415T-U-1800	TAD2415T-X-1800	TAD2415HL-U-1800 (!)	TAD2415HL-X-1800
	1 1/2	1750	10990	8,030	7,570	7,020	6,520	6,030	TAD2416T-U-1800	TAD2416T-X-1800	TAD2416HL-U-1800	TAD2416HL-X-1800
	2	1750	10990	9,110	8,550	8,050	7,500	6,820	TAD2417T-U-1800	TAD2417T-X-1800	TAD2417HL-U-1800	TAD2417HL-X-1800
30"	1/2	860	6750	7,830	6,830	5,690	3,810	1,670		TAD3013T-X-900		
	3/4	860	6750	9,410	8,340	7,010	4,120	2,470		TAD3014T-X-900		
	1	1150	9030	8,910	8,230	7,450	6,630	5,630		TAD3015T-X-1200	TAD3015HL-U-1200	TAD3015HL-X-1200
	2	1150	9030	12,600	11,800	10,900	9,980	8,870		TAD3017T-X-1200		TAD3017HL-X-1200
	3	1750	13750	15,300	14,500	13,800	12,900	12,100	TAD3018T-U-1800	TAD3018T-X-1800	TAD3018HL-U-1800	TAD3018HL-X-1800
36"	3/4	860	8150	12,400	10,900	9,180	7,050	3,970		TAD3614T-X-900		
	1	860	8150	14,200	12,800	11,000	8,920	5,550		TAD3615T-X-900		
	2	1150	10850	17,800	16,700	15,500	14,300	12,800		TAD3617T-X-1200		TAD3617HL-X-1200
	3	1150	10850	20,100	19,100	17,800	16,600	15,100	TAD3618T-U-1200	TAD3618T-X-1200		TAD3618HL-X-1200
	5	1150	10850	23,100	21,900	20,400	18,500	16,200		TAD3619T-X-1200		TAD3619HL-X-1200
	7 1/2	1150	10850	25,500	24,400	23,200	22,200	21,200		TAD361AT-X-1200		TAD361AHL-X-1200
42"	2	860	9455	15,500	14,700	13,800	12,900	12,000		TAD4217T-X-900		
	3	860	9455	24,600	23,200	21,400	20,700	17,800		TAD4218T-X-900		
	5	860	9455	26,900	26,000	25,100	24,100	23,200		TAD4219T-X-900		
		1150	12630	27,700	26,700	25,800	24,600	23,300		TAD4219T-X-1200		TAD4219HL-X-1200
	7 1/2	1150	12630	32,900	31,700	30,500	29,400	28,200		TAD421AT-X-1200		TAD421AHL-X-1200
	10	1150	12630	37,600	36,400	35,100	33,900	32,500		TAD421BT-X-1200		TAD421BHL-X-1200
48"	3	860	10810	29,300	26,900	25,300	23,200	18,800		TAD4818T-X-900		
	5	860	10810	30,400	29,500	28,600	27,600	26,600		TAD4819T-X-900		
	7 1/2	1150	14450	35,100	33,800	32,900	32,100	30,600		TAD481AT-X-1200		TAD481AHL-X-1200
	10	1150	14450	37,300	36,600	35,900	35,200	34,500		TAD481BT-X-1200		TAD481BHL-X-1200
	15	1150	14450	47,100	46,300	45,600	45,000	44,300		TAD481CT-X-1200		TAD481CHL-X-1200

\*See page 105 for information on hazardous location models.





## TUBE AXIAL BELT DRIVE MODELS

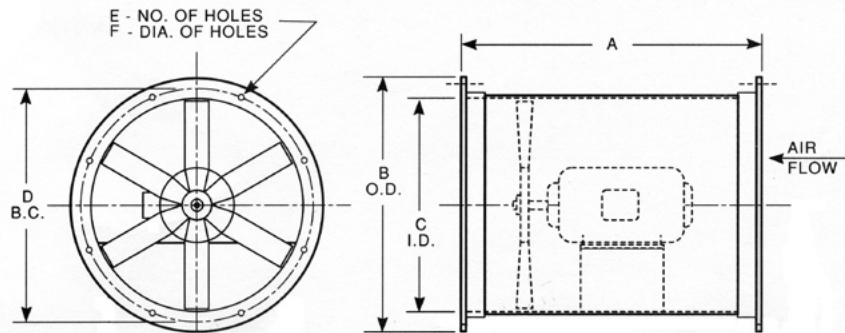
- All welded construction
- Extended lubrication lines
- Cast aluminum propellers
- Motor, belt drive & bearings are isolated from the airstream
- For corrosive and contaminated airstream applications

Diam	HP	Tip Speed	Performance					Totally Enclosed		Hazardous Location*	
			0.0 SP	.125 SP	.25 SP	.375 SP	.50 SP	1PH	3PH	1PH	3PH
24"	1/2	6,760	6,257	5,637	5,002	4,175	2,774	TAB2413T-U	TAB2413T-X	TAB2413HL-U	TAB2413HL-X
	3/4	7,520	6,995	6,503	5,954	5,430	4,719	TAB2414T-U	TAB2414T-X	TAB2414HL-U	TAB2414HL-X
	1	8,430	7,835	7,392	6,892	6,382	5,798	TAB2415T-U	TAB2415T-X	TAB2415HL-U	TAB2415HL-X
	2	10,670	9,946	9,563	9,211	8,810	8,344	TAB2417T-U	TAB2417T-X	TAB2417HL-U	TAB2417HL-X
	3	12,200	11,459	11,164	10,824	10,495	10,104	TAB2418T-U	TAB2418T-X	TAB2418HL-U	TAB2418HL-X
30"	1/2	7,040	7,899	7,029	5,843	4,207	2,313	TAB3013T-U	TAB3013T-X	TAB3013HL-U	TAB3013HL-X
	3/4	7,020	9,445	8,341	7,266	5,620	2,318	TAB3014T-U	TAB3014T-X	TAB3014HL-U	TAB3014HL-X
	1	7,740	10,491	9,501	8,330	7,438	5,899	TAB3015T-U	TAB3015T-X	TAB3015HL-U	TAB3015HL-X
	2	9,880	13,342	12,607	11,808	11,059	10,244	TAB3017T-U	TAB3017T-X	TAB3017HL-U	TAB3017HL-X
	3	11,540	16,329	15,004	14,302	13,584	12,993	TAB3018T-U	TAB3018T-X	TAB3018HL-U	TAB3018HL-X
36"	1	7,860	14,565	13,089	11,390	9,248	5,483	TAB3615T-U	TAB3615T-X	TAB3615HL-U	TAB3615HL-X
	2	9,790	18,361	17,185	15,940	14,587	12,956	TAB3617T-U	TAB3617T-X	TAB3617HL-U	TAB3617HL-X
	3	11,180	20,860	19,876	18,793	17,625	16,384	TAB3618T-U	TAB3618T-X	TAB3618HL-U	TAB3618HL-X
	5	13,180	24,717	23,833	23,024	22,046	21,040		TAB3619T-X		TAB3619HL-X
	7 1/2	15,190	28,369	27,608	26,868	26,069	25,203		TAB361AT-X		TAB361AHL-X
42"	2	7,520	19,398	17,826	16,080	13,940	10,707	TAB4217T-U	TAB4217T-X	TAB4217HL-U	TAB4217HL-X
	3	8,590	22,772	20,848	19,393	17,754	15,440	TAB4218T-U	TAB4218T-X	TAB4218HL-U	TAB4218HL-X
	5	10,260	26,552	25,437	24,148	22,966	21,555		TAB4219T-X		TAB4219HL-X
	7 1/2	11,850	30,670	29,684	28,647	27,595	26,390		TAB421AT-X		TAB421AHL-X
	10	13,140	34,072	33,185	32,231	31,167	30,356		TAB421BT-X		TAB421BHL-X
48"	3	8,950	29,134	26,490	24,583	22,302	19,406	TAB4818T-U	TAB4818T-X	TAB4818HL-U	TAB4818HL-X
	5	10,530	34,496	31,989	30,233	28,613	26,663		TAB4819T-X		TAB4819HL-X
	7 1/2	12,140	39,698	37,240	35,977	34,426	32,971		TAB481AT-X		TAB481AHL-X
	10	13,420	43,736	41,654	40,079	38,635	37,377		TAB481BT-X		TAB481BHL-X

\*See page 105 for information on hazardous location models.

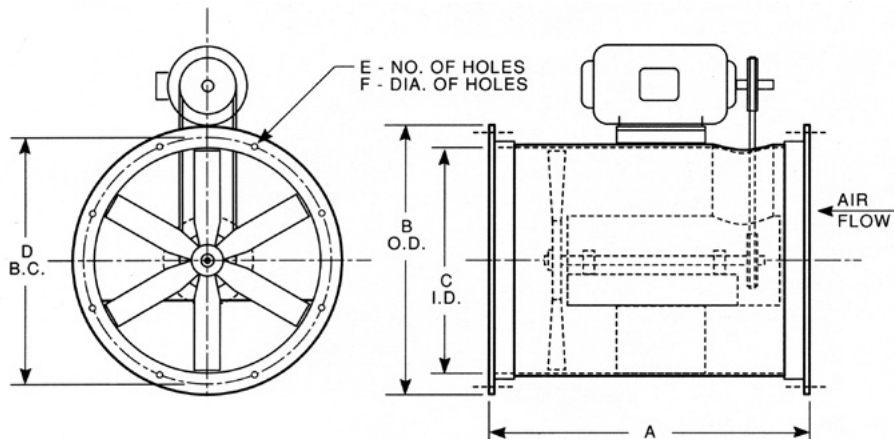
# TUBE AXIAL DIMENSIONS

## DIRECT DRIVE TUBE AXIAL DIMENSIONS



MODEL NO.	BLADE DIA.	DIMENSIONS						HOUSING GAUGE
		A	B	C	D	E	F	
TAD-24	23-12	20	27-18	24	25-7/8	12	7/16	16
TAD-30	29-12	22	34-18	30	32-3/8	16	7/16	16
TAD-36	35-12	28	40-18	36	38-3/8	16	7/16	16
TAD-42	41-12	28	46-18	42	44-3/8	24	7/16	14
TAD-48	47-12	30	52-18	48	50-3/8	24	7/16	14

## BELT DRIVE TUBE AXIAL DIMENSIONS



MODEL No.	BLADE Dia.	DIMENSIONS						HOUSING GAUGE
		A	B	C	D	E	F	
TAB-24	23-1/2	24	27-1/8	24	25-7/8	12	7/16	16
TAB-30	29-1/2	30	34-1/8	30	32-3/8	16	7/16	16
TAB-36	35-1/2	30	40-1/8	36	38-3/8	16	7/16	16
TAB-42	41-1/2	36	46-1/8	42	44-3/8	24	7/16	14
TAB-48	47-1/2	36	52-1/8	48	50-3/8	24	7/16	14



**▶ ACCESSORIES**

Moving air **better**

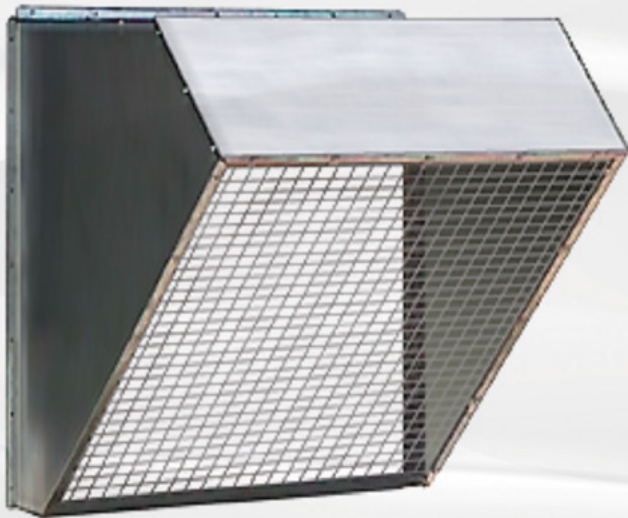
**RAIN HOODS - ALL WEATHER HOODS**

**VI GUARDS - FOR VID, VI AND RVI SERIES FANS**

**V GUARDS - FOR V AND RV SERIES FANS**

**WIND BAND STACK CAPS - FOR ROOF MOUNTED EXHAUST**

**THEROMSTATS - FOR CA, CA, PFG, SLW, GPX, V, VI, VIK, RVI**



# ACCESSORIES

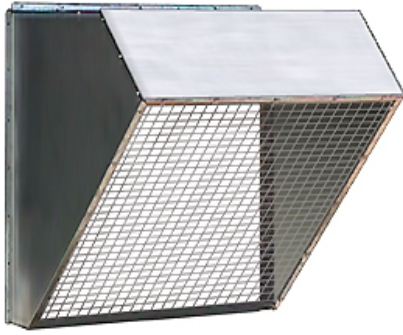
Triangle offers a range of accessories for our fans. Whether it's rain hoods or OSHA-rated guards for our exhaust and supply fans or mister kits with microdroplet heads for our portable fans we have your needs covered.

## Options

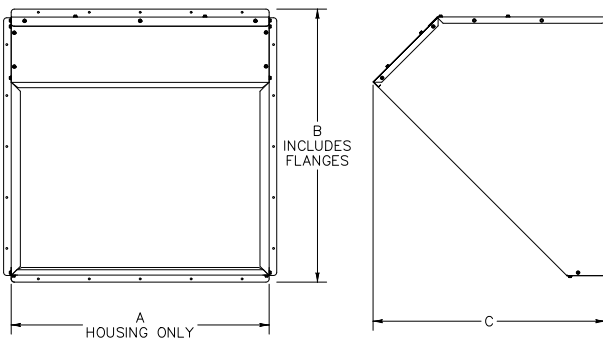
- Rain Hoods
- VI Guards
- V Guards
- Wind Band Stack Caps
- Thermostats



# RAIN HOODS



- Galvanized steel with 1 ¼" mounting flanges
- 1" x 2" welded galvanized bird screen
- Field assembly required
- Compatible with V, RV, VID, VI, RVI and VIK Series Fans
- Mounting hardware not included

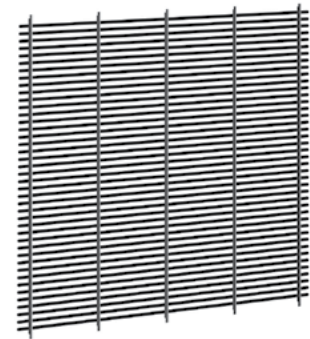


Model	Fan Size	A	B	C	Weight
RH24	24"	31 3/4"	34 1/4"	31"	48
RH30	30"	34 3/4"	37 1/4"	33"	48
RH36	36"	40 3/4"	43 1/4"	37"	60
RH42	42"	46 3/4"	49 1/4"	41"	80
RH48	48"	52 3/4"	55 1/4"	45"	135
RH54	54"	62 3/4"	65 1/4"	52"	160
RH60	60"	68 3/4"	71 1/4"	57"	195

# VI GUARD

- Mounting hardware included
- Powder coated finish
- OSHA compliant
- Compatible with VID, VI and RVI series fans

Model	Fan Size	Weight
VIG24	24"	21
VIG30	30"	24
VIG36	36"	27
VIG42	42"	31
VIG48	48"	34
VIG54	54"	38
VIG60	60"	45





# V GUARD

- Powder coated guard
- Galvanized steel housing
- OSHA compliant
- Compatible with V and RV Series Fans
- Field assembly required
- Mounting hardware not included



Model	Fan Size	Height x Width	Weight
VG24	24"	36" x 36"	43
VG30	30"	40" x 40"	50
VG36	36"	46" x 46"	58
VG42	42"	49" x 49"	65
VG48	48"	55" x 55"	73



## TEMPERATURE CONTROL

Thermostat	TS-115/230-1
------------	--------------

**Only compatible with single phase motors up to 1 HP** for the following fan lines:

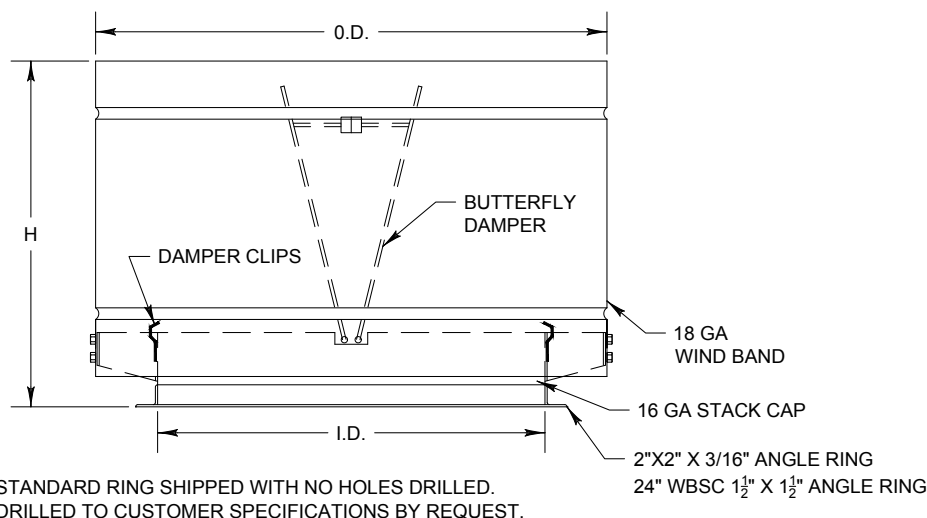
- CC + CA whole house fans
- GPX general purpose exhaust fans
- PFG + SLW agricultural fans
- V, VI and VIK exhaust fans
- RVI supply fans

# WIND BAND STACK CAPS

Model	I.D.	O.D.	H
WBSC24	24"	33"	29"
WBSC28	28"	33"	31"
WBSC30	30"	39"	32"
WBSC36	36"	45"	32"
WBSC42	42"	51"	35"
WBSC48	48"	57"	38"
WBSC54	54"	63"	41"
WBSC60	60"	69"	44"



- Wind Band – gray polyester powder coated steel with two formed reinforcing ribs supported by steel brackets. It affords protection from weather and cross winds.
- Throat - galvanized steel inner throat is welded to angle ring.
- Damper Lids - open automatically when fan is turned on, close automatically when fan stops.
- Positive Bumper Stops - adjustable neoprene tipped bumper stops assure immediate closing when fan is cut off yet permit maximum airflow when open.
- Damper Bearings - shutter lids turn on sintered bronze-oil bushings mounted on rust-proof rods for lifetime of resistance-free operation. Mounted outside of air-stream.
- Neoprene Bumper - mounted around top of throat. It assures positive damper contact. Prevents freezing in cold weather. Dampens sound when closing.



## HAZARDOUS LOCATION MODELS

Hazardous location models are made to order and are not returnable. They come equipped with:

- No wiring
- Aluminum blades
- Stationary motor mounts

### **Motor Ratings**

**Belt Drive Models:** Single Speed, DIV. I, Class I, Group D & Class II, Groups F & G

**Direct Drive Models:** Consult Factory

## CAUTION - WARNING

Although this product is supplied with an explosion proof motor and blades with spark resistant aluminum paddles, it is not intended to convey the suitability of the overall finished product in a hazardous atmosphere, but only that the product has been supplied with certain components for this purpose. Application and wiring must be in accordance with local, state and national codes and performed by a qualified electrician. Fans not appropriate for use where paint residue can accumulate on motor or blade. Hazardous location motors **cannot be run into service factor** so fan performance may be slightly less than published.







## GLOBAL COMMERCIAL, INDUSTRIAL, AND RESIDENTIAL AIR MOVEMENT

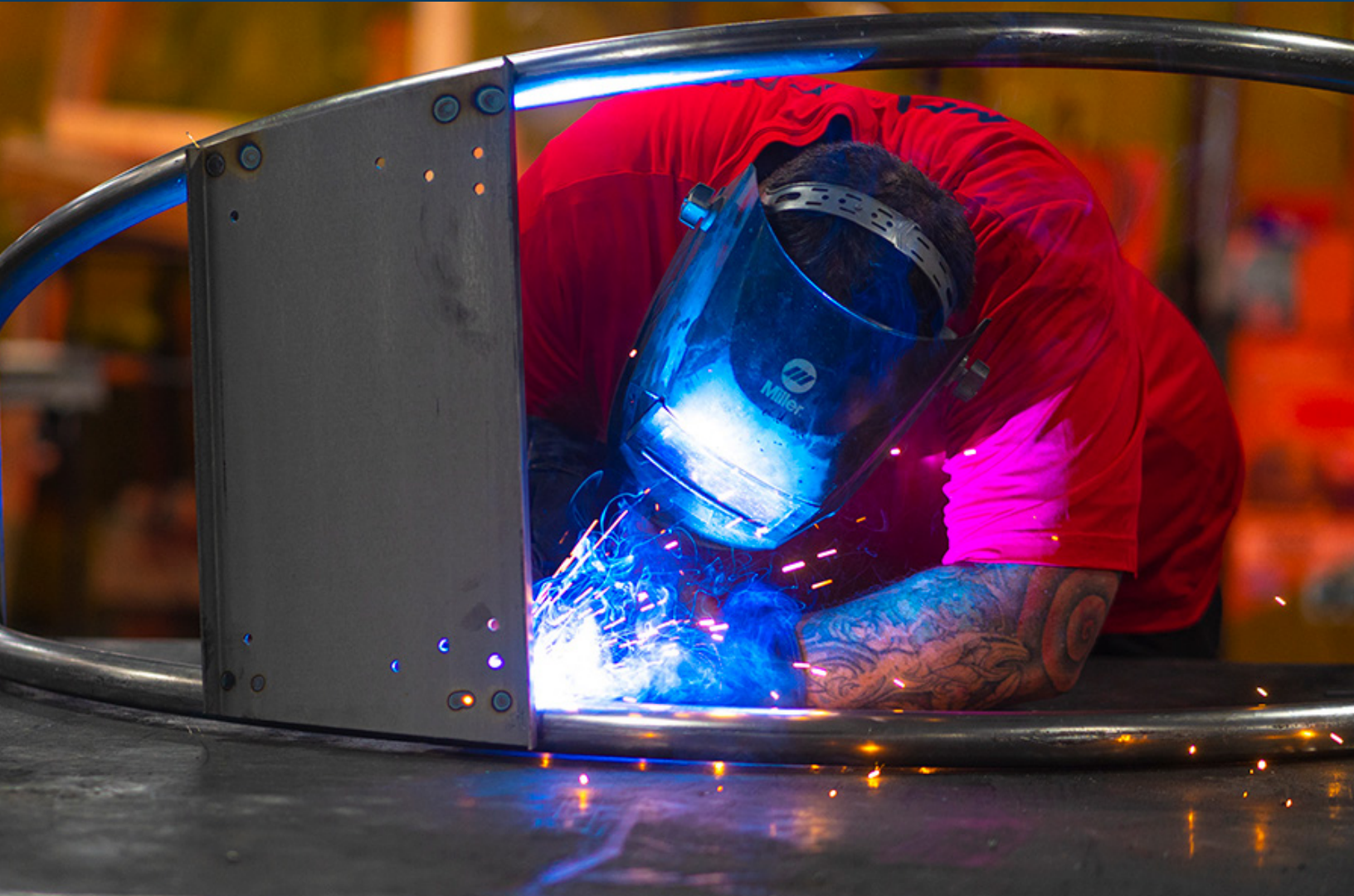
Triangle Engineering moves air throughout the Americas, Europe, New Zealand, and Australia from our centrally-located headquarters in the United States. In our 300,000 square-foot, manufacturing facility we stock both completed units and component parts – resulting in shorter lead times and rapid delivery – worldwide.







1101 North Redmond Road, Jacksonville, AR 72076  
(501) 982-7558



Triangle**Fans.com**

