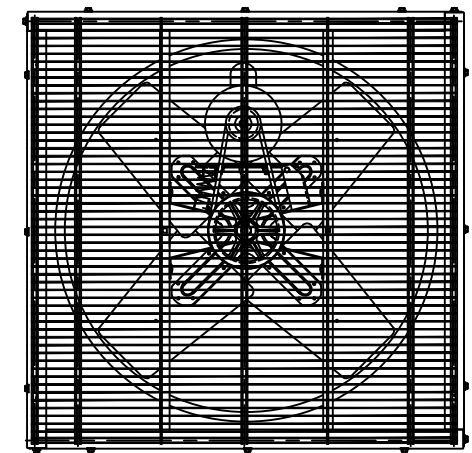
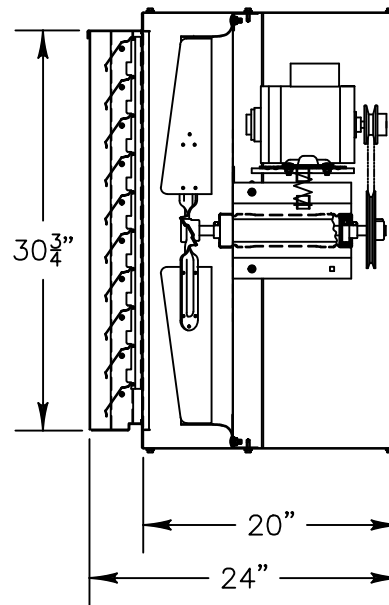


DISCHARGE VIEW



INTAKE VIEW

### Exhaust Fan Specifications

|                 |         |                  |                      |
|-----------------|---------|------------------|----------------------|
| Blade Diameter: | 30"     | Motor Enclosure: | TEFC                 |
| Drive:          | Belt    | Duty Cycle:      | Continuous Duty      |
| Horsepower:     | 1/2     | Guard:           | OSHA Compliant       |
| Voltage:        | 115/230 | Prewired:        | 115v                 |
| Phase:          | 1       | Power Cord:      | 10' with molded plug |
| RPM:            | 740     |                  |                      |

\*See TriangleFans.com for performance specifications  
 \*Specifications are subject to change without notice



VIK3013T-U  
 WALL FAN

NOT TO SCALE | 14 OCT 2015