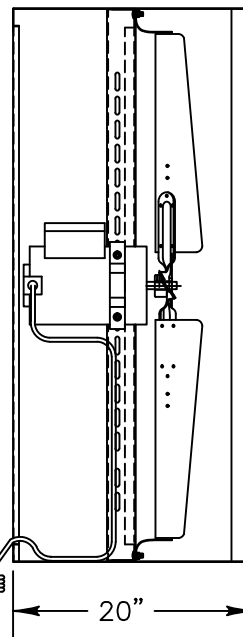
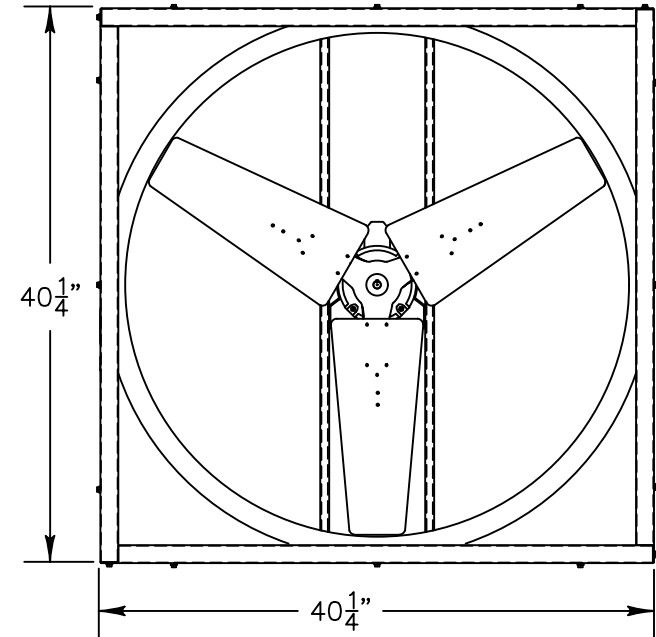


INTAKE VIEW



20"

5 FOOT OF CORD
OUTSIDE THE BOX.



40 $\frac{1}{4}$ "

DISCHARGE VIEW

Exhaust Fan Specifications

Blade Diameter:	36"	Motor Enclosure:	TEAO
Drive:	Direct	Duty Cycle:	Continuous Duty
Horsepower:	1	Guards:	N/A
Voltage:	230	Power Cord:	5' with molded plug
Phase:	1		
RPM:	840		

*See TriangleFans.com for performance specifications
*Specifications are subject to change without notice



VID3615T-W

NOT TO SCALE | 4 MAR 2009