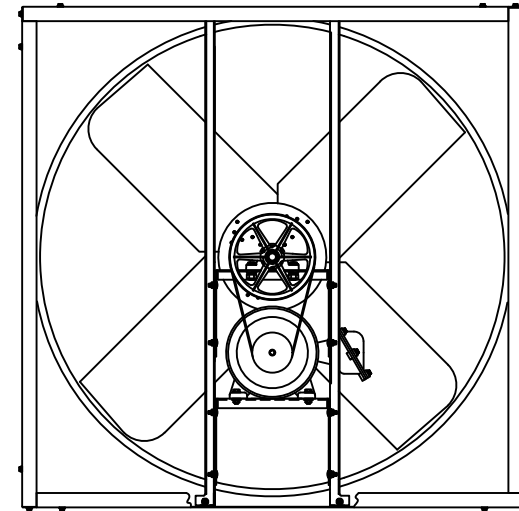
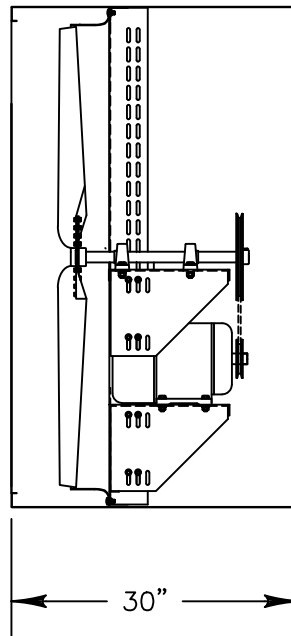


DISCHARGE VIEW



INTAKE VIEW

### Exhaust Fan Specifications

Blade Diameter: 48"	Motor Enclosure: Hazardous Location
Drive: Belt	Duty Cycle: Continuous Duty
Horsepower: 3	Guards: N/A
Voltage: 115/230	Power Cord: N/A
Phase: 1	
RPM: 610	

\*See TriangleFans.com for performance specifications  
 \*Specifications are subject to change without notice



VI4818HL-U

NOT TO SCALE | 29 SEP 2015