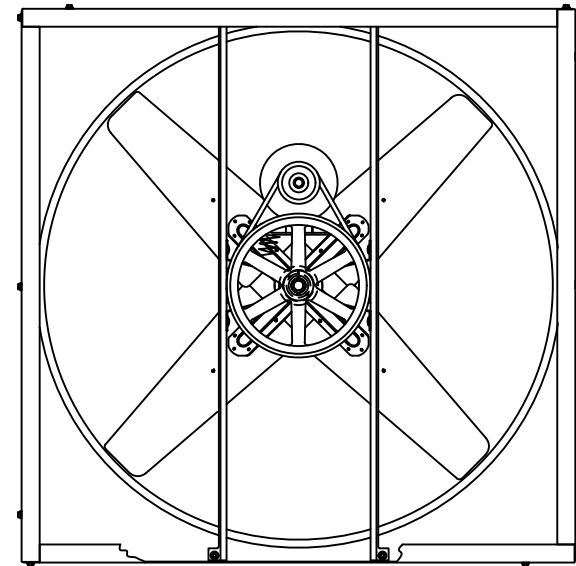


DISCHARGE VIEW



INTAKE VIEW

Exhaust Fan Specifications

| | | | |
|-----------------|---------|------------------|----------------------|
| Blade Diameter: | 48" | Motor Enclosure: | TEFC |
| Drive: | Belt | Duty Cycle: | Continuous Duty |
| Horsepower: | 1 | Guards: | N/A |
| Voltage: | 115/230 | Prewired: | 115v |
| Phase: | 1 | Power Cord: | 10' with molded plug |
| RPM: | 470 | | |

*See TriangleFans.com for performance specifications
 *Specifications are subject to change without notice



VI4815T-U

NOT TO SCALE | 28 SEP 2015