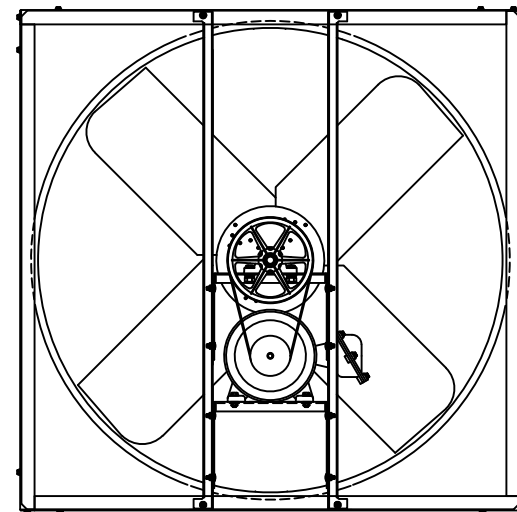
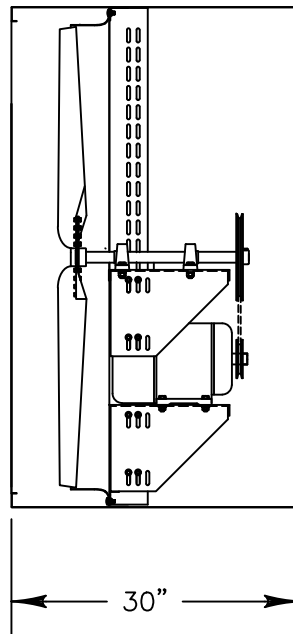


DISCHARGE VIEW



INTAKE VIEW

Exhaust Fan Specifications

Blade Diameter:	36"	Motor Enclosure:	ODP
Drive:	Belt	Duty Cycle:	Continuous Duty
Horsepower:	3	Guards:	N/A
Voltage:	230/460	Power Cord:	N/A
Phase:	3		
RPM:	835		

*See TriangleFans.com for performance specifications
 *Specifications are subject to change without notice

 TRIANGLE ENGINEERING	VI3618-X
	NOT TO SCALE 28 SEP 2015