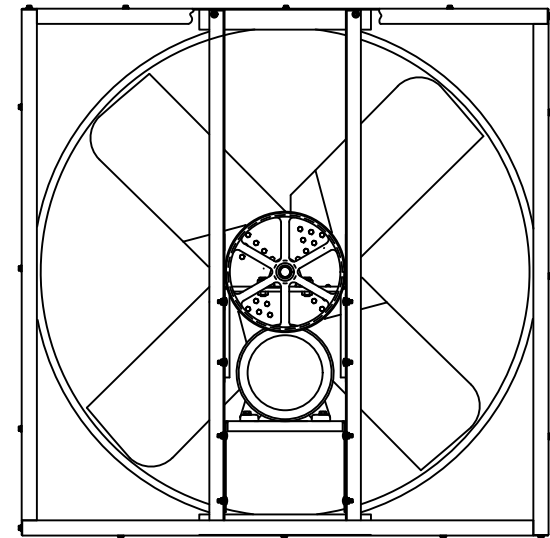
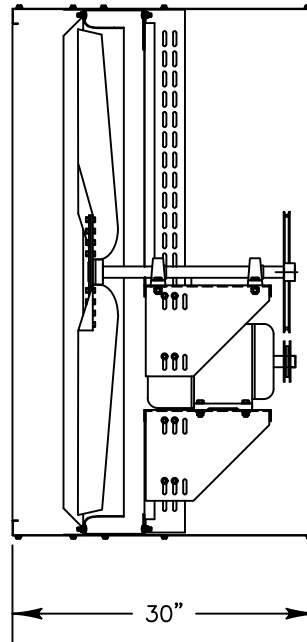


INTAKE VIEW



DISCHARGE VIEW

Supply Fan Specifications

Blade Diameter: 48"	Motor Enclosure: ODP
Drive: Belt	Duty Cycle: Continuous Duty
Horsepower: 2	Guards: N/A
Voltage: 230/460	Power Cord: N/A
Phase: 3	
RPM: 605	

*See TriangleFans.com for performance specifications
 *Specifications are subject to change without notice

 TRIANGLE ENGINEERING	RVI4817-X
	NOT TO SCALE 29 SEP 2015