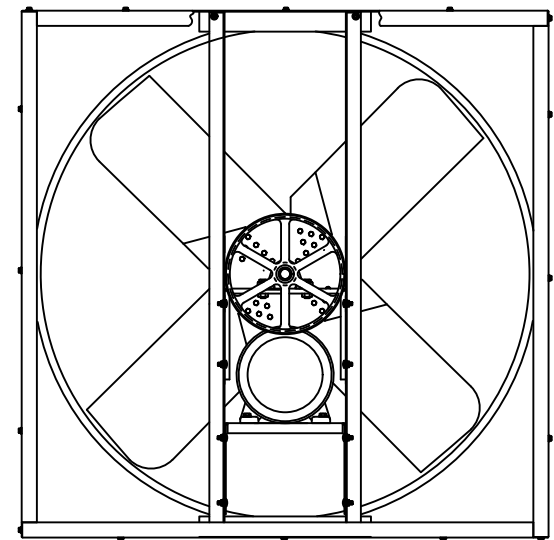
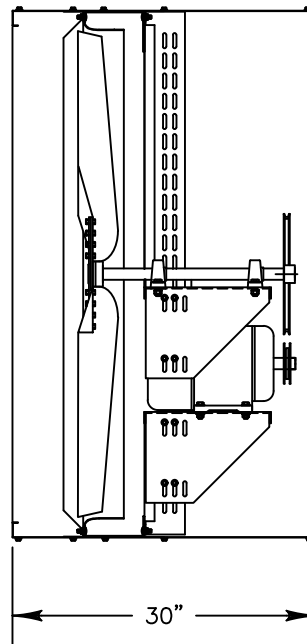


INTAKE VIEW



DISCHARGE VIEW

### Supply Fan Specifications

Blade Diameter:	48"	Motor Enclosure:	ODP
Drive:	Belt	Duty Cycle:	Continuous Duty
Horsepower:	2	Guards:	N/A
Voltage:	115/230	Power Cord:	N/A
Phase:	1		
RPM:	605		

\*See TriangleFans.com for performance specifications

\*Specifications are subject to change without notice



RVI4817-U

NOT TO SCALE 29 SEP 2015