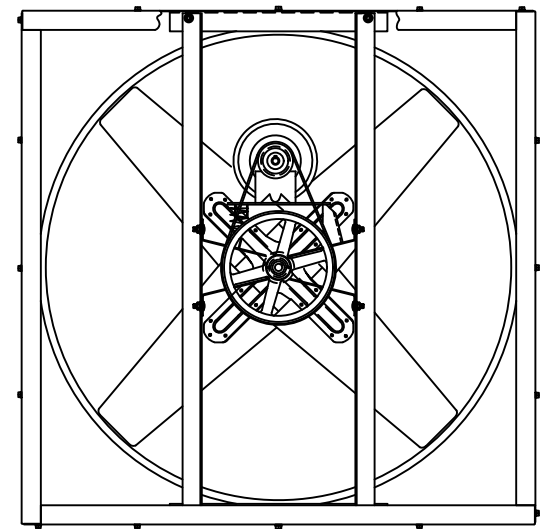
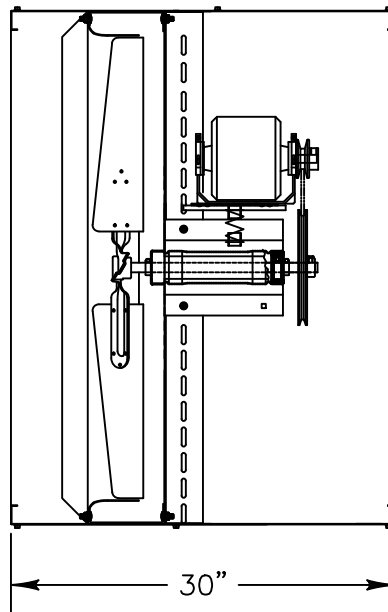


INTAKE VIEW



DISCHARGE VIEW

Supply Fan Specifications

| | | | |
|-----------------|---------|------------------|-----------------|
| Blade Diameter: | 36" | Motor Enclosure: | TEFC |
| Drive: | Belt | Duty Cycle: | Continuous Duty |
| Horsepower: | 1.5 | Guards: | N/A |
| Voltage: | 115/230 | Power Cord: | N/A |
| Phase: | 1 | | |
| RPM: | 723 | | |

*See TriangleFans.com for performance specifications
 *Specifications are subject to change without notice



RVI3616T-U

NOT TO SCALE | 28 SEP 2015