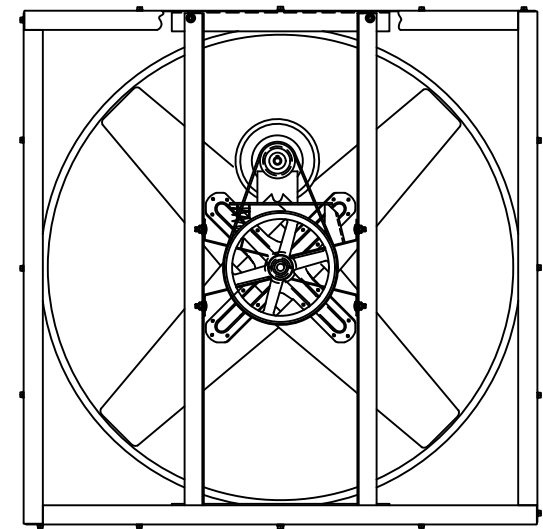
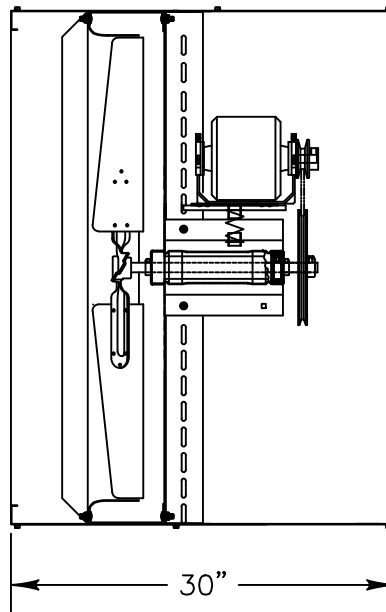


INTAKE VIEW



DISCHARGE VIEW

Supply Fan Specifications

Blade Diameter:	36"	Motor Enclosure:	TEFC
Drive:	Belt	Duty Cycle:	Continuous Duty
Horsepower:	3/4	Guards:	N/A
Voltage:	115/230	Prewired:	115v
Phase:	1	Power Cord:	10' with molded plug
RPM:	540		

*See TriangleFans.com for performance specifications
 *Specifications are subject to change without notice

 TRIANGLE ENGINEERING	RVI3614T-U
	NOT TO SCALE 28 SEP 2015