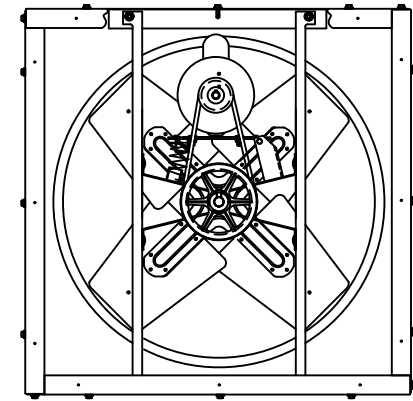
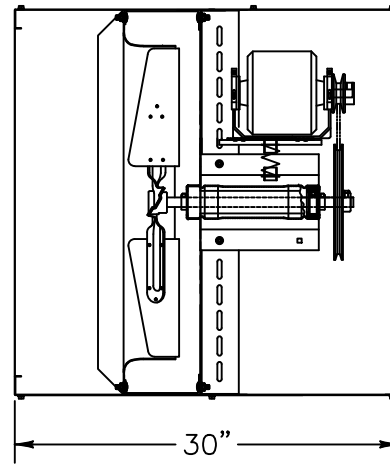


INTAKE VIEW



DISCHARGE VIEW

Supply Fan Specifications

Blade Diameter:	24"	Motor Enclosure:	TEFC
Drive:	Belt	Duty Cycle:	Continuous Duty
Horsepower:	1/2	Guards:	N/A
Voltage:	115/230	Power Cord:	10' with molded plug
Phase:	1		
RPM:	840		

*See TriangleFans.com for performance specifications
 *Specifications are subject to change without notice

 TRIANGLE ENGINEERING	RV12413T-U
	NOT TO SCALE 1 OCT 2015