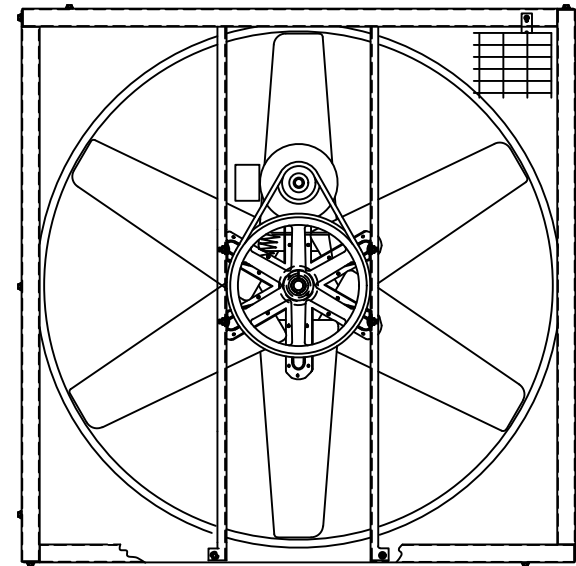
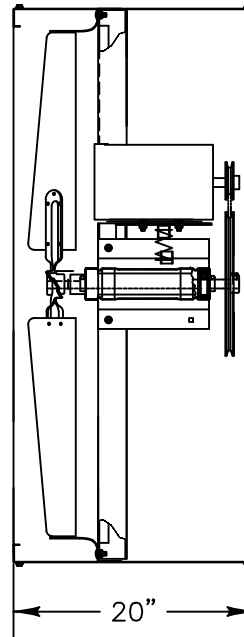


DISCHARGE VIEW



INTAKE VIEW

Fan Specifications

| | | | |
|-----------------|------|------------------|----------------------|
| Blade Diameter: | 42" | Motor Enclosure: | TEAO |
| Drive: | Belt | Duty Cycle: | Continuous Duty |
| Horsepower: | 1/2 | Guards: | 1"X2" Bird Screen |
| Voltage: | 230 | Power Cord: | 10' with molded plug |
| Phase: | 1 | | |
| RPM: | 494 | | |

*See TriangleFans.com for performance specifications
 *Specifications are subject to change without notice



PFG42136

NOT TO SCALE | 12 DEC 2003