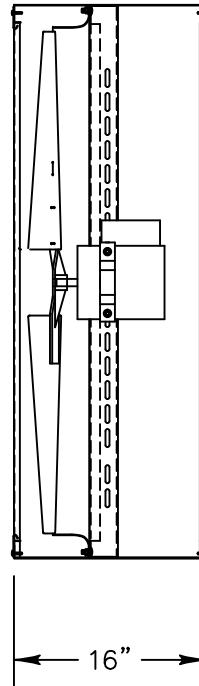
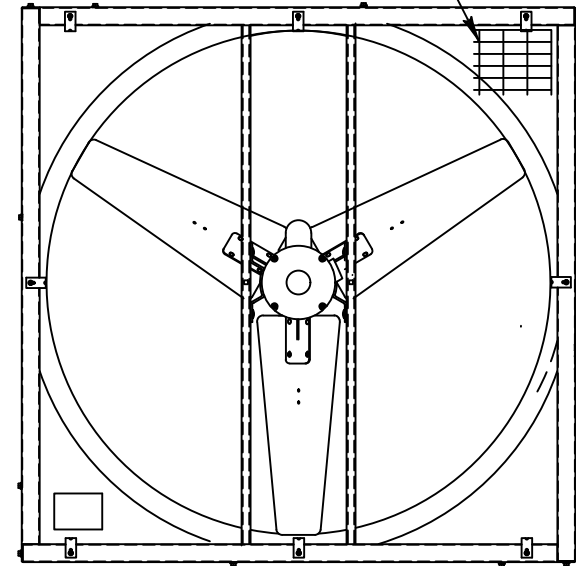


DISCHARGE VIEW



1' X 2" BIRD SCREEN ON
INTAKE AND DISCHARGE SIDES



INTAKE VIEW

Fan Specifications

Blade Diameter:	36"	Motor Enclosure:	TEAO
Drive:	Direct	Duty Cycle:	Continuous Duty
Horsepower:	1/2	Guards:	1"X2" Bird Screen
Voltage:	230	Power Cord:	6' with molded plug
Phase:	1		
RPM:	843		

*See TriangleFans.com for performance specifications
 *Specifications are subject to change without notice



PFG3613D

NOT TO SCALE | 2 AUG 2004