



THE VIK SERIES

Triangle's "VIK" Series Belt Drive Heavy Duty Industrial Exhaust Fans are designed to meet the exhaust airflow needs of factories, warehouses, gymnasiums, greenhouses, etc. "VIK" Series Belt Drive Heavy Duty Industrial Exhaust Fans come standard with installed IWS shutters and VIG guards. The "VIK" Series Belt Drive Heavy Duty Industrial Exhaust Fans come with a polyester powder coated venturi to improve airflow and protect against corrosion as well as a heavy gauge galvanized housing for corrosion resistance. "VIK" models up to 1 ½ HP with ODP and TEFC motors come equipped with Triangle's exclusive "X-Wing" Belt Tensioner which reduces maintenance and extends belt and motor life.

Options

- Two-speed, single-phase motors up to 1/2HP, 115v only

Features

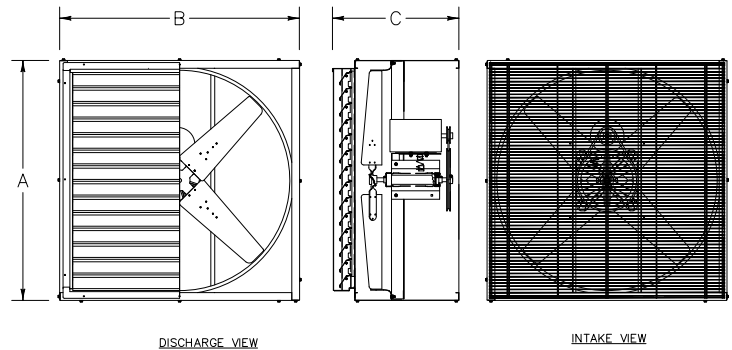
- Bronze powder coated rolled inlet venturi for efficient airflow
- Rugged heavy gauge galvanized housing
- Available in sizes from 24" to 60" blade diameter
- Available with ODP, TE and HL motors
- Belt drive
- Optional temperature control available for some models
- Suitable for applications up to 110°F Ambient



Diameter	HP	Performance				Ap- prox- imate Weight (lbs)	1-Phase (115/230V)		3-Phase (230/460V)		Hazardous Location*	
		0.0" SP	0.125" SP	0.25" SP	0.5" SP		Open Drip Proof Motor	Totally Enclosed Motor	Open Drip Proof Motor	Totally Enclosed Motor	1-Phase	3-Phase
24"	1/3	4,190	3,250	1,950	----	160	VIK2412-V (115V)	----	VIK2412-X	----	----	----
	1/2	5,000	4,250	3,430	----	170	VIK2413-V (115V) VIK2413-W (230V)	VIK2413T-U	VIK2413-X	VIK2413T-X	VIK2413HL-U	VIK2413HL-X
30"	1/3	7,080	6,050	4,940	----	181	VIK3012-V (115V) VIK3012-W (230V)	VIK3012T-U	VIK3012-X	VIK3012T-X	----	----
	1/2	9,180	7,880	6,430	----	181	VIK3013-V (115V) VIK3013-W (230V)	VIK3013T-U	VIK3013-X	VIK3013T-X	VIK3013HL-U	VIK3013HL-X
	3/4	9,840	8,650	7,190	----	185	VIK3014-U	VIK3014T-U	VIK3014-X	VIK3014T-X	VIK3014HL-U	VIK3014HL-X
36"	1/2	10,800	8,840	6,550	----	200	VIK3613-V (115V) VIK3613-W (230V)	VIK3613T-U	VIK3613-X	VIK3613T-X	VIK3613HL-U	VIK3613HL-X
	3/4	12,600	10,550	6,880	----	205	VIK3614-U	VIK3614T-U	VIK3614-X	VIK3614T-X	VIK3614HL-U	VIK3614HL-X
	1	13,340	11,500	9,160	----	215	VIK3615-U	VIK3615T-U	VIK3615-X	VIK3615T-X	VIK3615HL-U	VIK3615HL-X
	1 1/2	14,790	13,080	11,440	----	230	VIK3616-U	VIK3616T-U	VIK3616-X	VIK3616T-X	VIK3616HL-U	VIK3616HL-X
	2	16,900	15,440	13,380	8,250	270	VIK3617-U	----	VIK3617-X	VIK3617T-X	VIK3617HL-U	VIK3617HL-X
	3	15,400	14,200	13,000	9,970	327	VIK3618-U	----	VIK3618-X	VIK3618T-X	----	VIK3618HL-X
42"	1/2	13,160	10,050	4,270	----	230	VIK4213-V (115V) VIK4213-W (230V)	VIK4213T-U	VIK4213-X	VIK4213T-X	VIK4213HL-U	VIK4213HL-X
	3/4	15,050	12,320	7,700	----	235	VIK4214-U	VIK4214T-U	VIK4214-X	VIK4214T-X	VIK4214HL-U	VIK4214HL-X
	1	16,570	14,210	10,900	----	250	VIK4215-U	VIK4215T-U	VIK4215-X	VIK4215T-X	VIK4215HL-U	VIK4215HL-X
	1 1/2	17,950	15,760	13,030	----	265	VIK4216-U	VIK4216T-U	VIK4216-X	VIK4216T-X	VIK4216HL-U	VIK4216HL-X
	2	22,050	20,040	18,150	11,790	290	VIK4217-U	VIK4217T-U	VIK4217-X	VIK4217T-X	----	----
48"	3/4	19,100	14,300	6,160	----	280	VIK4814-U	VIK4814T-U	VIK4814-X	VIK4814T-X	VIK4814HL-U	VIK4814HL-X
	1	20,600	16,000	7,770	----	285	VIK4815-U	VIK4815T-U	VIK4815-X	VIK4815T-X	VIK4815HL-U	VIK4815HL-X
	1 1/2	21,500	16,400	10,400	----	300	VIK4816-U	VIK4816T-U	VIK4816-X	VIK4816T-X	VIK4816HL-U	VIK4816HL-X
	2	21,100	19,000	16,500	----	325	VIK4817-U	VIK4817T-U	VIK4817-X	VIK4817T-X	VIK4817HL-U	VIK4817HL-X
	3	23,700	21,500	19,300	----	410	VIK4818-U	----	VIK4818-X	VIK4818T-X	VIK4818HL-U	VIK4818HL-X
	5	28,800	26,800	24,500	18,400	425	VIK4819-W (230V)	----	VIK4819-X	VIK4819T-X	----	VIK4819HL-X
54"	2	25,500	22,300	19,900	----	460	VIK5417-U	VIK5417T-U	VIK5417-X	VIK5417T-X	VIK5417HL-U	VIK5417HL-X
	3	29,800	27,100	24,600	----	470	VIK5418-U	----	VIK5418-X	VIK5418T-X	VIK5418HL-U	VIK5418HL-X
	5	37,300	35,000	32,600	26,500	490	VIK5419-W (230V)	----	VIK5419-X	VIK5419T-X	----	VIK5419HL-X
60"	2	30,600	27,100	23,150	----	555	VIK6017-U	VIK6017T-U	VIK6017-X	VIK6017T-X	VIK6017HL-U	VIK6017HL-X
	3	34,500	31,600	28,500	19,250	565	VIK6018-U	----	VIK6018-X	VIK6018T-X	VIK6018HL-U	VIK6018HL-X
	5	41,000	38,600	36,100	30,300	575	VIK6019-W (230V)	----	VIK6019-X	VIK6019T-X	----	VIK6019HL-X

*See the Triangle Catalog for information on hazardous location models.

Dimensions "VIK" Series			
Diameter	A	B	C
24"	30 3/4"	30 3/4"	Varies by Horsepower
30"	34 3/4"	34 3/4"	
36"	40 3/4"	40 3/4"	
42"	46 3/4"	46 3/4"	
48"	52 3/4"	52 3/4"	
54"	62 7/8"	62 7/8"	
60"	68 7/8"	68 7/8"	



Performance shown is for installation type A: free inlet and free outlet and does not include the effects of accessories.
All units are made to order and are not returnable.