



THE VID SERIES

Triangle's "VID" Series Direct Drive Industrial Exhaust Fans are designed with maximum airflow in mind. Each of our "VID" Series Direct Drive Industrial Exhaust Fans come standard with a polyester powder coated venturi as well as heavy gauge galvanized Housing for corrosion resistance. The "VID" Series Direct Drive Industrial Exhaust Fans are perfect when little maintenance is ideal and they are well suited for factories, gymnasiums, and warehouses.

Features

- Polyester powder coated venturi
- Rugged heavy galvanized gauge housing
- Totally enclosed motor standard
- Single-phase fans include a cord and molded plug
- Direct drive



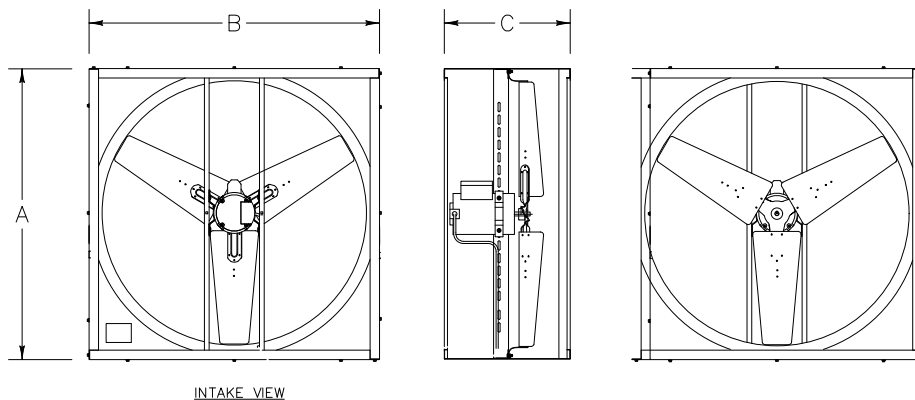
Diam.	HP	CFM 0.0 SP	0.125 SP	0.25 SP	0.5 SP	Approx. Weight	1-Phase		3-Phase
							115V	230V	230/460V
24"	1/2	5,910	5,080	3,740		100	VID2413T-V	VID2413T-W	----
30"	1/2	8,770	7,600	6,240		105	VID3013T-V	VID3013T-W	----
36"	1/2	10,800	8,840	6,550		115	VID3613T-V	VID3613T-W	----
	1	13,500	11,630	9,100	3,930	140	VID3615T-V	VID3615T-W	VID3615T-X
42"	1/2	13,190	9,900	4,840		145	VID4213T-V	VID4213T-W	----
	1	16,300	14,200	11,500	4,000	170	VID4215T-V	VID4215T-W	VID4215T-X
48"	1	19,900	15,800	10,500		180	VID4815T-V	VID4815T-W	VID4815T-X

*All weights are approximate and measured in pounds

Dimensions "VID" Series			
Diameter	A	B	C
24"	30 3/4"	30 3/4"	20"
30"	34 3/4"	34 3/4"	20"
36"	40 3/4"	40 3/4"	20"
42"	46 3/4"	46 3/4"	20"
48"	52 3/4"	52 3/4"	20"

OPTIONAL TEMP CONTROL	
Thermostat	TS-115/230-1

TS-115/230-1: Only compatible with single phase motors up to 1 HP



Performance shown is for installation type A: free inlet and free outlet and does not include the effects of accessories
All units are made to order and are not returnable