



THE VI SERIES

Triangle's "VI" Series Belt Drive Heavy Duty Industrial Exhaust Fans are designed to meet the exhaust airflow needs of factories, warehouses, gymnasiums, greenhouses, and more. The "VI" Series Belt Drive Heavy Duty Industrial Exhaust Fans come standard with a polyester powder coated venturi to improve airflow and protect against corrosion as well as a heavy gauge galvanized housing for corrosion resistance. Also, open drip proof and totally enclosed fan cooled "VI" models up to 1 ½ HP come equipped with Triangle's exclusive "X-Wing" belt tensioner which reduces maintenance and extends belt and motor life.

Options

- Two-speed, single-phase motors up to 1/2HP, 115v only

Features

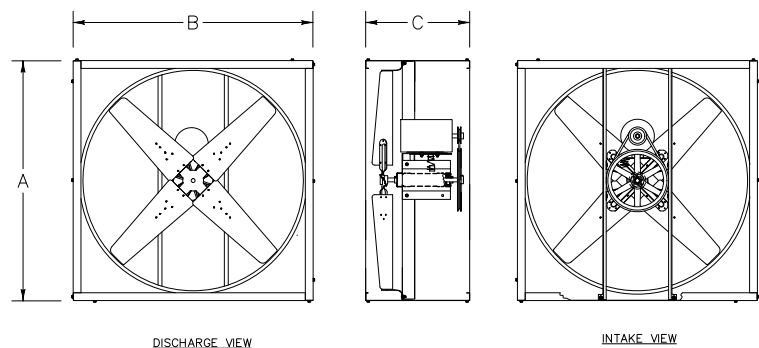
- Bronze powder coated rolled inlet venturi for efficient airflow
- Rugged heavy gauge galvanized housing
- Available in sizes from 24" to 60" blade diameter
- Available with ODP, TE and HL motors
- Belt drive
- Optional temperature control available for some models
- Suitable for applications up to 110°F Ambient



Diameter	HP	Performance				Approximate Weight (lbs)	1-Phase (115/230V)		3-Phase (230/460V)		Hazardous Location*	
		0.0" SP	0.125" SP	0.25" SP	0.5" SP		Open Drip Proof Motor	Totally Enclosed Motor	Open Drip Proof Motor	Totally Enclosed Motor	1-Phase	3-Phase
24"	1/3	4,190	3,250	1,950	----	100	VI2412-V (115V)	----	VI2412-X	----	----	----
	1/2	5,000	4,250	3,430	----	105	VI2413-V (115V) VI2413-W (230V)	VI2413T-U	VI2413-X	VI2413T-X	VI2413HL-U	VI2413HL-X
30"	1/3	7,080	6,050	4,940	----	111	VI3012-V (115V) VI3012-W (230V)	VI3012T-U	VI3012-X	VI3012T-X	----	----
	1/2	9,180	7,880	6,430	----	111	VI3013-V (115V) VI3013-W (230V)	VI3013T-U	VI3013-X	VI3013T-X	VI3013HL-U	VI3013HL-X
	3/4	9,840	8,650	7,190	----	114	VI3014-U	VI3014T-U	VI3014-X	VI3014T-X	VI3014HL-U	VI3014HL-X
36"	1/2	10,800	8,840	6,550	----	125	VI3613-V (115V) VI3613-W (230V)	VI3613T-U	VI3613-X	VI3613T-X	VI3613HL-U	VI3613HL-X
	3/4	12,600	10,550	6,880	----	136	VI3614-U	VI3614T-U	VI3614-X	VI3614T-X	VI3614HL-U	VI3614HL-X
	1	13,340	11,500	9,160	----	145	VI3615-U	VI3615T-U	VI3615-X	VI3615T-X	VI3615HL-U	VI3615HL-X
	1 1/2	14,790	13,080	11,440	----	160	VI3616-U	VI3616T-U	VI3616-X	VI3616T-X	VI3616HL-U	VI3616HL-X
	2	16,900	15,440	13,380	8,250	202	VI3617-U	----	VI3617-X	VI3617T-X	VI3617HL-U*	VI3617HL-X
	3	15,400	14,200	13,000	9,970	267	VI3618-U	----	VI3618-X	VI3618T-X	----	VI3618HL-X
42"	1/2	13,160	10,050	4,270	----	150	VI4213-V (115V) VI4213-W (230V)	VI4213T-U	VI4213-X	VI4213T-X	VI4213HL-U	VI4213HL-X
	3/4	15,050	12,320	7,700	----	155	VI4214-U	VI4214T-U	VI4214-X	VI4214T-X	VI4214HL-U	VI4214HL-X
	1	16,570	14,210	10,900	----	171	VI4215-U	VI4215T-U	VI4215-X	VI4215T-X	VI4215HL-U	VI4215HL-X
	1 1/2	17,950	15,760	13,030	----	185	VI4216-U	VI4216T-U	VI4216-X	VI4216T-X	VI4216HL-U	VI4216HL-X
	2	22,050	20,040	18,150	11,790	210	VI4217-U	VI4217T-U	VI4217-X	VI4217T-X	----	----
48"	3/4	19,100	14,300	6,160	----	185	VI4814-U	VI4814T-U	VI4814-X	VI4814T-X	VI4814HL-U	VI4814HL-X
	1	20,600	16,000	7,770	----	195	VI4815-U	VI4815T-U	VI4815-X	VI4815T-X	VI4815HL-U	VI4815HL-X
	1 1/2	21,500	16,400	10,400	----	210	VI4816-U	VI4816T-U	VI4816-X	VI4816T-X	VI4816HL-U	VI4816HL-X
	2	21,100	19,000	16,500	----	240	VI4817-U	VI4817T-U	VI4817-X	VI4817T-X	VI4817HL-U*	VI4817HL-X
	3	23,700	21,500	19,300	----	305	VI4818-U	----	VI4818-X	VI4818T-X	VI4818HL-U	VI4818HL-X
	5	28,800	26,800	24,500	18,400	330	VI4819-W (230V)	----	VI4819-X	VI4819T-X	----	VI4819HL-X
54"	2	25,500	22,300	19,900	----	345	VI5417-U	VI5417T-U	VI5417-X	VI5417T-X	VI5417HL-U*	VI5417HL-X
	3	29,800	27,100	24,600	----	355	VI5418-U	----	VI5418-X	VI5418T-X	VI5418HL-U	VI5418HL-X
	5	37,300	35,000	32,600	26,500	365	VI5419-W (230V)	----	VI5419-X	VI5419T-X	----	VI5419HL-X
60"	2	30,600	27,100	23,150	----	425	VI6017-U	VI6017T-U	VI6017-X	VI6017T-X	VI6017HL-U*	VI6017HL-X
	3	34,500	31,600	28,500	19,250	430	VI6018-U	----	VI6018-X	VI6018T-X	VI6018HL-U	VI6018HL-X
	5	41,000	38,600	36,100	30,300	440	VI6019-W (230V)	----	VI6019-X	VI6019T-X	----	VI6019HL-X

*See the Triangle Catalog for information on hazardous location models.

Dimensions "RVI" Series			
Diameter	A	B	C
24"	30 3/4"	30 3/4"	Varies by Horsepower
30"	34 3/4"	34 3/4"	
36"	40 3/4"	40 3/4"	
42"	46 3/4"	46 3/4"	
48"	52 3/4"	52 3/4"	
54"	62 7/8"	62 7/8"	
60"	68 7/8"	68 7/8"	



EXHAUST AND SUPPLY FANS: THE VI SERIES

sales@trianglefans.com ▶ 501-982-7558 ▶ TriangleFans.com