



JETAIRE™ HIGH VELOCITY

Triangle's JetAire high velocity fans are manufactured with durable polypropylene barrels and equipped with totally enclosed motors. Our 54" model is built with a bronze polyester powder coated steel housing. JetAire high velocity fans are ideal for industrial, commercial and golf course applications.

Features

- Available in 24", 30" and 54" diameters
- Moves a large concentration of air at distances of 100' or more
- Tiltable head for desired direction of airflow
- Available in Hunter Green or Industrial Gray
- Oscillator available in 115, 230, or 460 volt





DIRECT DRIVE JETAIRE

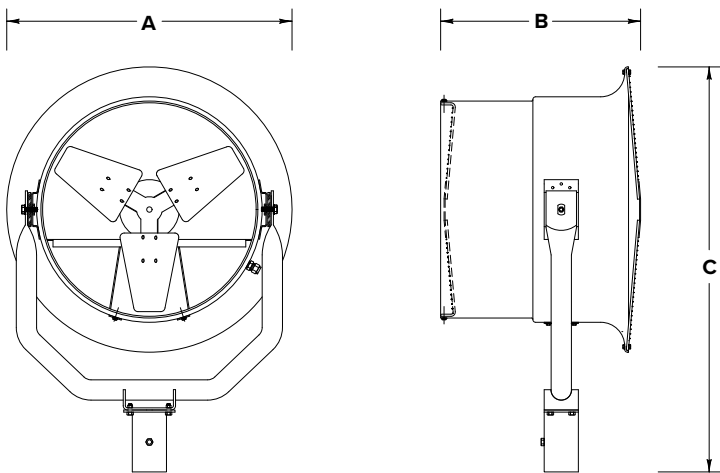
- Direct drive
- Optional mounting equipment
- Optional mister kits for added comfort
- Choice of Hunter Green or Industrial Gray housing
- Totally enclosed motors
- Oscillator available in 115v, 230v, or 460v

WITHOUT AN OSCILLATOR

Diam.	HP	CFM	Approx. Weight	1-Phase		3-Phase	
				115V	230V	230V	460V
24"	1/2	5,600	173	HV2413-V	HV2413-W	HV2413-Y	HV2413-Z
	1	5,900	180	HV2415-V	HV2415-W	HV2415-Y	HV2415-Z
30"	1/2	7,900	185	HV3013-V	HV3013-W	HV3013-Y	HV3013-Z
	1	10,600	222	HV3015-V	HV3015-W	HV3015-Y	HV3015-Z

WITH AN OSCILLATOR

Diam.	HP	CFM	Approx. Weight	1-Phase		3-Phase	
				115V	230V	230V	460V
24"	1/2	5,600	183	HV2413OC-V	HV2413OC-W	HV2413OC-Y	HV2413OC-Z
	1	5,900	188	HV2415OC-V	HV2415OC-W	HV2415OC-Y	HV2415OC-Z
30"	1/2	7,900	196	HV3013OC-V	HV3013OC-W	HV3013OC-Y	HV3013OC-Z
	1	10,600	230	HV3015OC-V	HV3015OC-W	HV3015OC-Y	HV3015OC-Z



Dimensions "HV" Series

Diameter	A	B	C
24"	34"	23"	47"
30"	40"	23"	52"

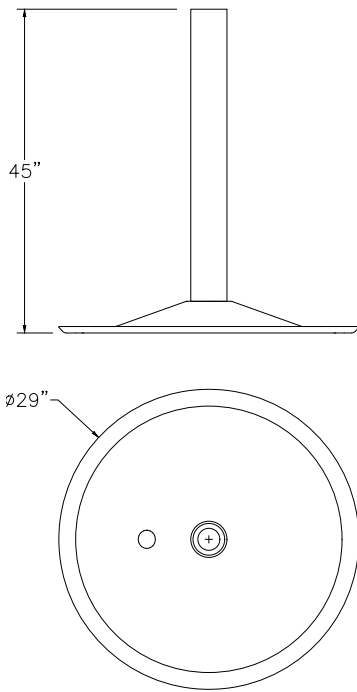
Available Mounting Equipment

Description	Non-Oscillating	Oscillating
Pedestal Base	PB 2430	
Vertical Mounting Bracket	VMB 2430	VMB 2430-OSC
Horizontal Mounting Bracket	HMB 2430	
6' Pole	POLE2430 6'	
10' Pole	POLE2430 10'	

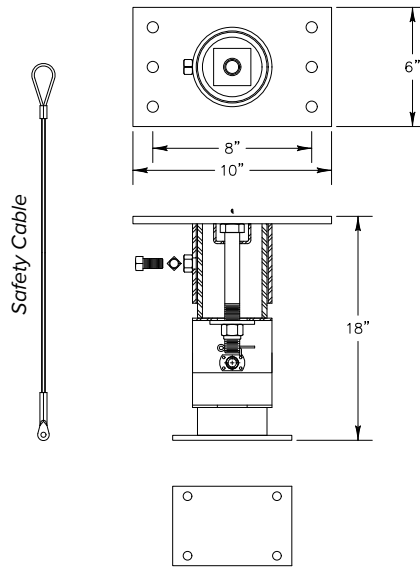


MOUNTING EQUIPMENT (DIRECT DRIVE JETAIRE™ ONLY)

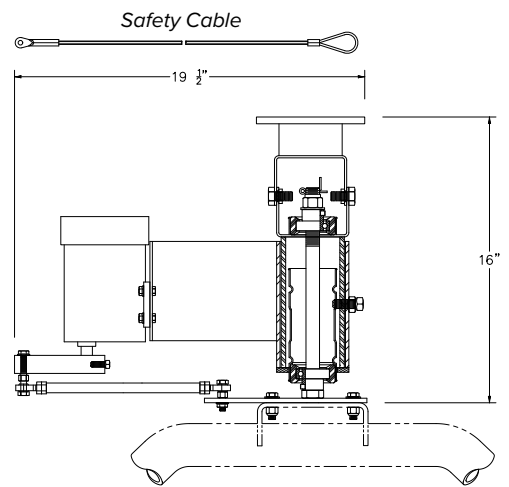
Triangle's JetAire is designed to accommodate a wide range of mounting options. Our mounting options include a pedestal base for maneuverability, a vertical mounting bracket for ceiling attachments (safety cable included), a horizontal mounting bracket for column mounts and 6' or 10' poles for permanent in concrete placement. All JetAire mounting equipment is fabricated out of steel and finished with a bronze polyester powder coat.



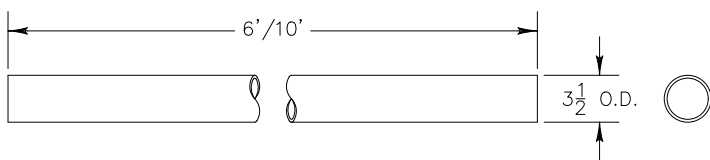
Pedestal Base



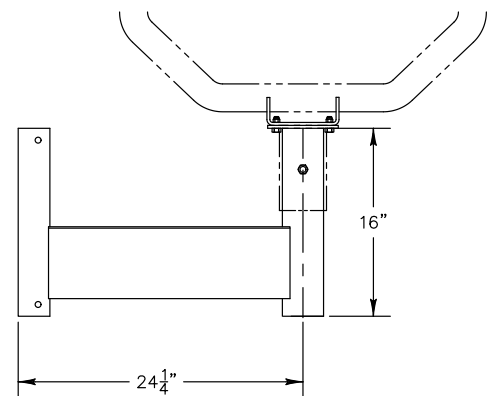
Vertical Mounting Bracket
(Non-Oscillating)



Vertical Mounting Bracket
(Oscillating)



Pole



Horizontal Mounting Bracket





BELT DRIVE JETAIRE

- Belt drive
- Available with or without oscillation
- Single- or three-phase motors
- Optional mister kit for added comfort
- Bronze polyester powder coat finish
- Totally enclosed motors

WITHOUT AN OSCILLATOR

Diam.	HP	CFM	Approx. Weight	1-Phase	3-Phase	
				230V	230V	460V
54"	3	27,900	513	HV5418-W	HV5418-Y	HV5418-Z
	5	42,500	548	HV5419-W	HV5419-Y	HV5419-Z

WITH AN OSCILLATOR

Diam.	HP	CFM	Approx. Weight	1-Phase	3-Phase	
				230V	230V	460V
54"	3	27,900	513	HV5418OC-W	HV5418OC-Y	HV5418OC-Z
	5	42,500	548	HV5419OC-W	HV5419OC-Y	HV5419OC-Z

