

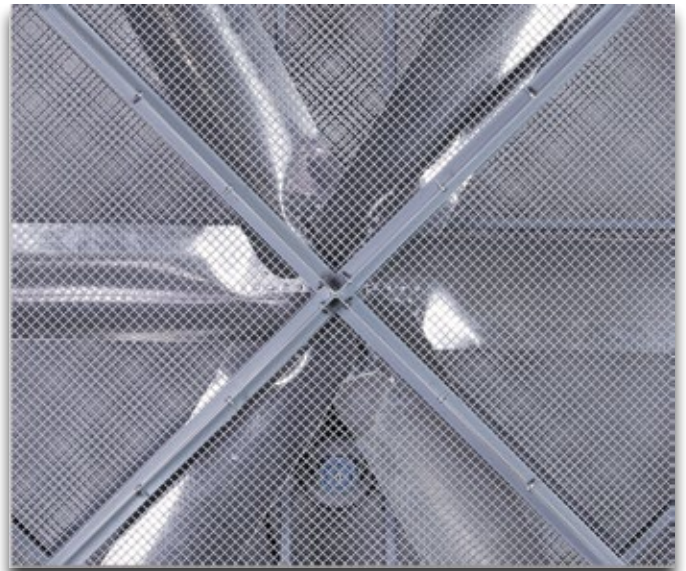


THE SUSPENDED GENTLE BREEZE

The suspended Genetle Breeze is the largest, most ruggedly built ceiling mount fan Triangle offers. It quietly delivers a gentle breeze at distances up to 150 feet! It is so quiet you can easily carry on a normal conversation. The suspended model frees up floor space, offers optimal directional breeze and is ideal for work areas, assembly lines, warehouses and gymnasiums.

Features

- Extra quiet 60 dBA at 20' from the fan
- OSHA compliant woven wire guards
- Powder coat finish for resistance to weather and corrosion, indoors or out
- Single phase and three-phase models available
- Ships completely assembled
- 20' grounded three conductor cord with molded plug



WITHOUT SPEED CONTROL

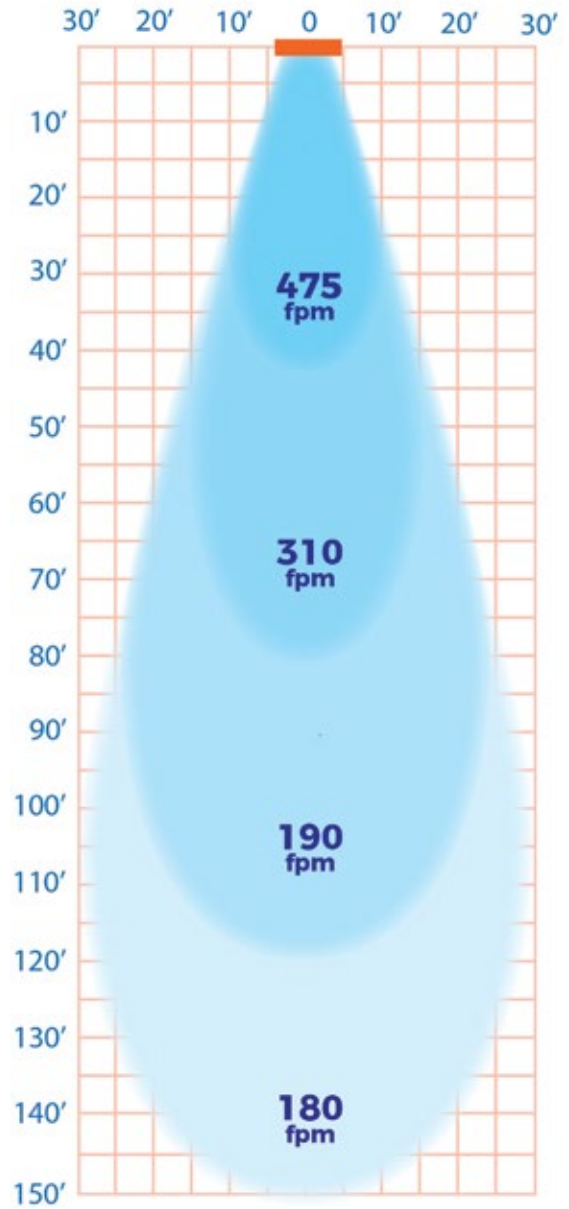
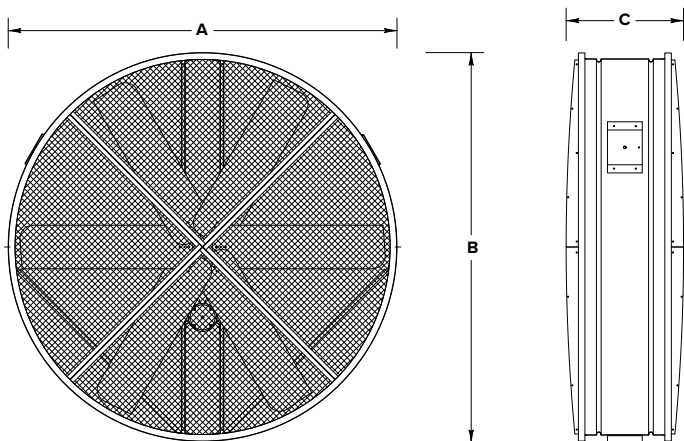
Model	Volts	Phase	AMPS	Fan Weight	Shipping Weight
GBS8415-V	115	1 Ø	10	540	890
GBS8415-W	230	1 Ø	5		
GBS8415-Y	230	3 Ø	5.5		
GBS8415-Z	460	3 Ø	2.8		

WITHOUT SPEED CONTROL

Model	Volts	Phase	AMPS	Fan Weight	Shipping Weight
GBS8415SC-V	115	1 Ø	10	560	910
GBS8415SC-W	230	1 Ø	5		
GBS8415SC-Y	230	3 Ø	5.5		
GBS8415SC-Z	460	3 Ø	2.8		

GENTLE BREEZE DIMENSIONS

Dimensions	A	B	C
Fan	90"	90"	27"
Crate	96"	98"	35"
Speed	220 RPM		
Sound Level	60dBa at 20' From Fan		



- Air speeds are the average velocity for each zone
- Air speeds were measured 67" from the floor
- FPM = Feet per minute

Testing performed in a controlled environment. Actual airflow may vary due to operating environment



CEILING MOUNTED FANS: GENTLE BREEZE

501-982-7558 ▶ TriangleFans.com