



JET UPBLAST FANS

Jet Upblast fans are designed for heavy duty commercial and industrial applications. Airfoil cast aluminum propellers are spark resistant.

All welded construction assures long life and accurate drive alignment for maximum fan performance and minimum vibration.

Direct drive units are available in 24" to 60" diameters.

Belt drive units are available in 24" to 84" diameters.

Features

- CURB BASE - heavy gauge galvanized sheet steel base. All welded construction gives long maintenance-free service.
- AIRFOIL ALUMINUM BLADES - cast aluminum airfoil blades mounted on heavy duty cast aluminum fixed pitch hub for quiet, efficient operation.
- WIND BAND - galvanized sheet steel with two formed reinforcing ribs. It affords protection from weather and cross winds.
- THROAT - galvanized steel inner throat is riveted to the deep venturi-type orifice for quieter, more efficient operation.
- EXTERNAL BRACING - used on larger units to give extra rigidity and prevent sagging and vibration.
- DAMPER LIDS - opens automatically when fan is turned on, closes automatically when fan stops.
- POSITIVE BUMPER STOPS - adjustable neoprene tipped bumper stops assure closure of damper lids when fan is cut off, yet permit maximum airflow when open.



DIRECT DRIVE JET UPBLAST MODELS

- All welded construction
- Cast aluminum propeller
- Polyester powder coat finish
- Motor is inside the airstream

Diam	HP	RPM	Tip Speed	0.0 SP	.125 SP	.25 SP	.375 SP	.50 SP	Totally Enclosed		Hazardous Location*	
									1PH	3PH	1PH	3PH
24"	1/2	1150	7,230	6,230	5,540	5,150	4,310	3,110	JD2413T-U-1200	JD2413T-X-1200	JD2413HL-U-1200	JD2413HL-X-1200
	3/4	1170	7,350	6,940	6,410	5,790	5,050	3,900	JD2414T-U-1200	JD2414T-X-1200	JD2414HL-U-1200	JD2414HL-X-1200
	1	1150	7,230	7,270	6,710	6,070	5,790	3,890		JD2415T-X-1200	JD2415HL-U-1200	JD2415HL-X-1200
	1 1/2	1760	11,100	8,550	8,060	7,480	6,950	6,420	JD2416T-U-1800	JD2416T-X-1800	JD2416HL-U-1800	JD2416HL-X-1800
	2	1760	11,100	9,700	9,110	8,570	7,990	7,260	JD2417T-U-1800	JD2417T-X-1800	JD2417HL-U-1800	JD2417HL-X-1800
30"	1/2	860	6,750	8,230	7,180	5,980	4,010	1,760		JD3013T-X-900		
	3/4	860	6,750	9,900	8,770	7,370	4,330	2,600		JD3014T-X-900		
	1	1150	9,030	9,370	8,660	7,840	6,970	5,920		JD3015T-X-1200	JD3015HL-U-1200	JD3015HL-X-1200
	2	1150	9,030	13,200	12,400	11,500	10,500	9,330		JD3017T-X-1200		JD3017HL-X-1200
	3	1750	13,700	16,100	15,300	14,500	13,600	12,700	JD3018T-U-1800	JD3018T-X-1800	JD3018HL-U-1800	JD3018HL-X-1800
36"	3/4	860	8,110	12,900	11,400	9,570	7,350	4,140		JD3614T-X-900		
	1	860	8,110	14,800	13,300	11,500	9,300	5,790		JD3615T-X-900		
	2	1150	10,800	18,600	17,400	16,200	14,900	13,400		JD3617T-X-1200		JD3617HL-X-1200
	3	1150	10,800	21,000	19,900	18,600	17,300	15,700	JD3618T-U-1200	JD3618T-X-1200		JD3618HL-X-1200
	5	1150	10,800	24,100	22,800	21,300	19,300	16,900		JD3619T-X-1200		JD3619HL-X-1200
	7 1/2	1150	10,800	26,600	25,400	24,200	23,200	22,100		JD361AT-X-1200		JD361AHL-X-1200
42"	2	860	9,460	16,100	15,200	14,300	13,400	12,400		JD4217T-X-900		
	3	860	9,460	25,500	24,000	22,200	21,500	18,400		JD4218T-X-900		
		1150	12,600	25,300	24,100	22,700	22,000	19,400	JD4218T-U-1200	JD4218T-X-1200		JD4218HL-X-1200
	5	860	9,460	27,900	27,000	26,000	25,000	24,000		JD4219T-X-900		
		1150	12,600	28,700	27,700	26,700	25,500	24,200		JD4219T-X-1200		JD4219HL-X-1200
	7 1/2	1150	12,600	34,100	32,900	31,600	30,500	29,200		JD421AT-X-1200		JD421AHL-X-1200
	10	1150	12,600	39,000	37,700	36,400	35,100	33,700		JD421BT-X-1200		JD421BHL-X-1200
48"	2	860	10,800	27,200	25,400	22,400	19,600	15,900		JD4817T-X-900		
	3	860	10,800	30,200	27,800	26,100	23,900	19,400		JD4818T-X-900		
	5	860	10,800	31,400	30,400	29,500	28,500	27,400		JD4819T-X-900		
	7 1/2	860	10,800	38,700	37,700	36,700	35,700	34,500		JD481AT-X-900		
		1150	14,500	36,200	34,900	34,000	33,100	31,600		JD481AT-X-1200		JD481AHL-X-1200
	10	1150	14,500	38,500	37,800	37,000	36,300	35,600		JD481BT-X-1200		JD481BHL-X-1200
	15	1150	14,500	48,600	47,800	47,100	46,400	45,700		JD481CT-X-1200		JD481CHL-X-1200
54"	5	860	12,200	36,500	35,100	32,900	31,300	28,300		JD5419T-X-900		
	7 1/2	860	12,200	47,300	46,000	43,400	41,200	38,500		JD541AT-X-900		
	10	860	12,200	51,800	49,800	48,300	46,200	44,800		JD541BT-X-900		
60"	5	870	13,700	38,700	36,300	33,800	31,000	28,000		JD6019T-X-900		
	7 1/2	860	13,500	44,000	42,300	40,600	39,000	37,300		JD601AT-X-900		
	10	860	13,500	48,800	47,100	45,500	43,800	42,100		JD601BT-X-900		

*See the Triangle Catalog for information on hazardous location models.

ROOF MOUNT FANS: JET UPBLAST

sales@trianglefans.com ▶ 501-982-7558 ▶ TriangleFans.com



BELT DRIVE JET UPBLAST MODELS

- All welded construction
- Cast aluminum propeller
- Polyester powder coat finish
- Motor, belt drive and pulleys are inside the airstream
- Fan serviced from interior of building

Diam	HP	Tip Speed	0.0 SP	.125 SP	.25 SP	.375 SP	.50 SP	Totally Enclosed		Hazardous Location*	
								1PH	3PH	1PH	3PH
24"	1/2	6,660	5,480	4,920	4,100	2,140	1,600	JB12413T-U	JB12413T-X	JB12413HL-U	JB12413HL-X
	3/4	6,410	6,150	5,660	5,120	4,530	3,530	JB12414T-U	JB12414T-X	JB12414HL-U	JB12414HL-X
	1	8,170	7,040	6,550	5,940	5,290	4,610	JB12415T-U	JB12415T-X	JB12415HL-U	JB12415HL-X
	1 1/2	9,420	8,480	8,050	7,570	7,050	6,480	JB12416T-U	JB12416T-X	JB12416HL-U	JB12416HL-X
	2	10,600	9,230	8,890	8,300	7,420	6,320	JB12417T-U	JB12417T-X	JB12417HL-U	JB12417HL-X
	3	12,100	10,740	10,420	10,100	9,710	9,270	JB12418T-U	JB12418T-X	JB12418HL-U	JB12418HL-X
30"	1/2	6,940	8,460	7,450	6,290	4,600	2,130	JB13013T-U	JB13013T-X	JB13013HL-U	JB13013HL-X
	3/4	6,990	9,810	8,730	7,430	5,820	2,990	JB13014T-U	JB13014T-X	JB13014HL-U	JB13014HL-X
	1	7,700	10,800	9,830	8,690	7,410	4,850	JB13015T-U	JB13015T-X	JB13015HL-U	JB13015HL-X
	1 1/2	8,640	11,500	10,700	9,800	8,820	7,700	JB13016T-U	JB13016T-X	JB13016HL-U	JB13016HL-X
	2	9,820	13,800	13,000	12,200	11,300	10,400	JB13017T-U	JB13017T-X	JB13017HL-U	JB13017HL-X
	3	11,500	15,900	15,000	14,700	14,000	13,300	JB13018T-U	JB13018T-X	JB13018HL-U	JB13018HL-X
	5	13,700	18,200	17,800	17,300	16,700	16,100		JB13019T-X		JB13019HL-X
36"	1	7,920	13,900	12,100	10,000	7,300	4,620	JB13615T-U	JB13615T-X	JB13615HL-U	JB13615HL-X
	1 1/2	8,860	16,200	14,800	13,300	11,400	8,610	JB13616T-U	JB13616T-X	JB13616HL-U	JB13616HL-X
	2	9,710	17,800	16,600	15,300	13,700	11,900	JB13617T-U	JB13617T-X	JB13617HL-U	JB13617HL-X
	3	10,900	20,300	19,200	18,000	16,800	15,400	JB13618T-U	JB13618T-X	JB13618HL-U	JB13618HL-X
	5	13,200	24,100	23,100	22,200	21,200	20,200		JB13619T-X		JB13619HL-X
	7 1/2	15,100	27,700	26,900	26,100	25,200	24,400		JB1361AT-X		JB1361AHL-X
42"	1 1/2	6,120	18,000	16,000	13,600	9,900	5,900	JB14216T-U	JB14216T-X	JB14216HL-U	JB14216HL-X
	2	6,980	20,500	18,700	16,900	14,400	9,600	JB14217T-U	JB14217T-X	JB14217HL-U	JB14217HL-X
	3	7,810	22,900	21,400	19,800	18,000	15,600	JB14218T-U	JB14218T-X	JB14218HL-U	JB14218HL-X
	5	9,470	27,800	26,500	25,200	23,900	22,400		JB14219T-X		JB14219HL-X
	7 1/2	10,800	31,800	30,600	29,500	28,400	27,300		JB1421AT-X		JB1421AHL-X
	10	12,000	35,300	34,300	33,300	32,300	31,300		JB1421BT-X		JB1421BHL-X
48"	1 1/2	5,970	22,800	19,800	16,000	8,600	5,200	JB14816T-U	JB14816T-X	JB14816HL-U	JB14816HL-X
	2	7,110	27,000	24,400	21,500	18,000		JB14817T-U	JB14817T-X	JB14817HL-U	JB14817HL-X
	3	8,210	31,400	27,000	24,300	21,200	11,100	JB14818T-U	JB14818T-X	JB14818HL-U	JB14818HL-X
	5	9,610	36,700	34,800	32,900	31,000	28,600		JB14819T-X		JB14819HL-X
	7 1/2	11,000	42,100	40,500	38,800	37,200	35,500		JB1481AT-X		JB1481AHL-X
	10	12,100	46,400	44,900	43,400	41,900	40,400		JB1481BT-X		JB1481BHL-X
54"	2	6,930	29,000	25,900	22,000	13,300	7,100	JB15417T-U	JB15417T-X	JB15417HL-U	JB15417HL-X
	3	7,780	33,200	30,500	27,700	23,700	14,900	JB15418T-U	JB15418T-X	JB15418HL-U	JB15418HL-X
	5	9,330	39,800	37,500	35,200	32,700	29,400		JB15419T-X		JB15419HL-X
	7 1/2	10,700	45,400	43,400	41,400	39,500	37,100		JB1541AT-X		JB1541AHL-X
	10	11,700	49,700	47,900	46,100	44,300	42,400		JB1541BT-X		JB1541BHL-X

*See the Triangle Catalog for information on hazardous location models.

ROOF MOUNT FANS: JET UPBLAST

sales@trianglefans.com ▶ 501-982-7558 ▶ TriangleFans.com



BELT DRIVE JET UPBLAST MODELS

- All welded construction
- Cast aluminum propeller
- Polyester powder coat finish
- Motor, belt drive and pulleys are inside the airstream
- Fan serviced from interior of building

Diam	HP	Tip Speed	0.0 SP	.125 SP	.25 SP	.375 SP	.50 SP	Totally Enclosed		Hazardous Location*	
								1PH	3PH	1PH	3PH
60"	2	7,460	33,300	28,900	23,100	14,000		JB16017T-U	JB16017T-X	JB16017HL-U	JB16017HL-X
	3	6,440	34,400	30,700	25,900	16,800		JB16018T-U	JB16018T-X	JB16018HL-U	JB16018HL-X
	5	8,010	43,300	40,300	37,100	33,200	28,000		JB16019T-X		JB16019HL-X
	7 1/2	9,580	51,200	48,700	46,200	43,300	40,000		JB1601AT-X		JB1601AHL-X
	10	10,400	55,400	53,000	50,700	48,200	45,200		JB1601BT-X		JB1601BHL-X
72"	3	9,610	46,800	40,800	33,600	23,600	12,400	JB17218T-U	JB17218T-X	JB17218HL-U	JB17218HL-X
	5	7,730	54,500	48,500	42,000	33,000	18,000		JB17219T-X		JB17219HL-X
	7 1/2	9,610	63,100	58,000	52,600	46,500	38,600		JB1721AT-X		JB1721AHL-X
	10	11,900	70,300	66,100	61,600	57,100	51,700		JB1721BT-X		JB1721BHL-X
	15	10,400	77,500	74,000	70,500	67,000	62,800		JB1721CT-X		JB1721CHL-X
	20	11,500	86,000	82,800	79,600	76,500	73,300		JB1721DT-X		JB1721DHL-X
84"	5	7,480	64,800	56,400	46,800	34,500	15,200		JB18419T-X		JB18419HL-X
	7 1/2	9,020	78,100	71,200	63,900	55,700	45,800		JB1841AT-X		JB1841AHL-X
	10	9,700	84,000	77,600	71,100	63,500	55,500		JB1841BT-X		JB1841BHL-X
	15	11,200	97,200	91,600	86,000	80,100	73,500		JB1841CT-X		JB1841CHL-X
	20	11,900	108,600	103,300	98,000	92,500	86,500		JB1841DT-X		JB1841DHL-X
	25	12,300	115,800	110,400	104,900	99,500	93,800		JB1841ET-X		JB1841EHL-X

*See the Triangle Catalog for information on hazardous location models.

ROOF MOUNT FANS: JET UPBLAST

sales@trianglefans.com ▶ 501-982-7558 ▶ TriangleFans.com



BELT DRIVE JET UPBLAST MODELS

- All welded construction
- Cast aluminum propeller
- Polyester powder coat finish
- Motor, belt drive and pulleys are outside the airstream
- Fan serviced from roof of building

Diam	HP	Tip Speed	0.0 SP	.125 SP	.25 SP	.375 SP	.50 SP	Totally Enclosed		Hazardous Location*	
								1PH	3PH	1PH	3PH
24"	1/2	6,660	5,480	4,920	4,310	3,520	2,030	JBX2413T-U	JBX2413T-X	JBX2413HL-U	JBX2413HL-X
	3/4	7,540	6,150	5,660	5,120	4,530	3,750	JBX2414T-U	JBX2414T-X	JBX2414HL-U	JBX2414HL-X
	1	8,170	6,880	6,450	5,980	5,490	4,920	JBX2415T-U	JBX2415T-X	JBX2415HL-U	JBX2415HL-X
	1 1/2	9,420	8,340	7,960	7,570	7,140	6,670	JBX2416T-U	JBX2416T-X	JBX2416HL-U	JBX2416HL-X
	2	10,600	9,230	8,890	8,550	8,170	7,770	JBX2417T-U	JBX2417T-X	JBX2417HL-U	JBX2417HL-X
	3	12,095	10,735	10,421	10,120	9,782	9,424	JBX2418T-U	JBX2418T-X	JBX2418HL-U	JBX2418HL-X
30"	1/2	6,940	8,460	7,450	6,290	4,600	2,130	JBX3013T-U	JBX3013T-X	JBX3013HL-U	JBX3013HL-X
	3/4	6,990	9,810	8,730	7,430	5,820	2,990	JBX3014T-U	JBX3014T-X	JBX3014HL-U	JBX3014HL-X
	1	7,700	10,800	9,830	8,690	7,410	4,850	JBX3015T-U	JBX3015T-X	JBX3015HL-U	JBX3015HL-X
	1 1/2	8,640	11,500	10,700	9,800	8,820	7,700	JBX3016T-U	JBX3016T-X	JBX3016HL-U	JBX3016HL-X
	2	9,820	13,800	13,000	12,200	11,300	10,400	JBX3017T-U	JBX3017T-X	JBX3017HL-U	JBX3017HL-X
	3	11,400	16,100	15,000	14,800	14,100	13,300	JBX3018T-U	JBX3018T-X	JBX3018HL-U	JBX3018HL-X
	5	13,700	18,200	17,800	17,300	16,700	16,100		JBX3019T-X		JBX3019HL-X
36"	1	7,730	14,200	12,500	10,600	7,940	4,620	JBX3615T-U	JBX3615T-X	JBX3615HL-U	JBX3615HL-X
	1 1/2	8,860	16,200	14,800	13,300	11,400	8,610	JBX3616T-U	JBX3616T-X	JBX3616HL-U	JBX3616HL-X
	2	9,710	17,800	16,600	15,300	13,700	11,900	JBX3617T-U	JBX3617T-X	JBX3617HL-U	JBX3617HL-X
	3	11,000	20,300	19,200	18,000	16,800	15,400	JBX3618T-U	JBX3618T-X	JBX3618HL-U	JBX3618HL-X
	5	13,200	24,100	23,100	22,200	21,200	20,200		JBX3619T-X		JBX3619HL-X
	7 1/2	15,100	27,700	26,900	26,100	25,200	24,400		JBX361AT-X		JBX361AHL-X
42"	1 1/2	6,120	18,000	16,000	13,600	9,900	5,900	JBX4216T-U	JBX4216T-X	JBX4216HL-U	JBX4216HL-X
	2	6,980	20,500	18,700	16,900	14,400	9,600	JBX4217T-U	JBX4217T-X	JBX4217HL-U	JBX4217HL-X
	3	7,810	22,900	21,400	19,800	18,000	15,600	JBX4218T-U	JBX4218T-X	JBX4218HL-U	JBX4218HL-X
	5	9,470	27,800	26,500	25,200	23,900	22,400		JBX4219T-X		JBX4219HL-X
	7 1/2	10,800	31,800	30,600	29,500	28,400	27,300		JBX421AT-X		JBX421AHL-X
	10	12,000	35,300	34,300	33,300	32,300	31,300		JBX421BT-X		JBX421BHL-X
48"	1 1/2	5,970	22,800	19,800	16,000	8,600		JBX4816T-U	JBX4816T-X	JBX4816HL-U	JBX4816HL-X
	2	7,110	27,000	24,400	21,500	18,000		JBX4817T-U	JBX4817T-X	JBX4817HL-U	JBX4817HL-X
	3	8,210	31,400	27,000	24,300	21,200	11,100	JBX4818T-U	JBX4818T-X	JBX4818HL-U	JBX4818HL-X
	5	9,610	36,700	34,800	32,900	31,000	28,600		JBX4819T-X		JBX4819HL-X
	7 1/2	11,000	42,100	40,500	38,800	37,200	35,500		JBX481AT-X		JBX481AHL-X
	10	12,100	46,400	44,900	43,400	41,900	40,400		JBX481BT-X		JBX481BHL-X
54"	2	6,930	29,000	25,900	22,000	13,300	7,100	JBX5417T-U	JBX5417T-X	JBX5417HL-U	JBX5417HL-X
	3	7,780	33,200	30,500	27,700	23,700	14,900	JBX5418T-U	JBX5418T-X	JBX5418HL-U	JBX5418HL-X
	5	9,330	39,800	37,500	35,200	32,700	29,400		JBX5419T-X		JBX5419HL-X
	7 1/2	10,700	45,400	43,400	41,400	39,500	37,100		JBX541AT-X		JBX541AHL-X
	10	11,700	49,700	47,900	46,100	44,300	42,400		JBX541BT-X		JBX541BHL-X

*See the Triangle Catalog for information on hazardous location models.

ROOF MOUNT FANS: JET UPBLAST

sales@trianglefans.com ▶ 501-982-7558 ▶ TriangleFans.com



BELT DRIVE JET UPBLAST MODELS

- All welded construction
- Cast aluminum propeller
- Polyester powder coat finish
- Motor belt drive and pulleys are inside the airstream
- Fan serviced from interior of building

								Totally Enclosed		Hazardous Location*	
Diam	HP	Tip Speed	0.0 SP	.125 SP	.25 SP	.375 SP	.50 SP	1PH	3PH	1PH	3PH
60"	2	7,460	33,300	28,900	23,100	14,000		JBX6017T-U	JBX6017T-X	JBX6017HL-U	JBX6017HL-X
	3	6,440	34,400	30,700	25,900	16,800		JBX6018T-U	JBX6018T-X	JBX6018HL-U	JBX6018HL-X
	5	8,010	43,300	40,300	37,100	33,200	28,000		JBX6019T-X		JBX6019HL-X
	7 1/2	9,580	51,200	48,700	46,200	43,300	40,000		JBX601AT-X		JBX601AHL-X
	10	10,400	55,400	53,000	50,700	48,200	45,200		JBX601BT-X		JBX601BHL-X
72"	3	9,610	46,800	40,800	33,600	23,600	12,400	JBX7218T-U	JBX7218T-X	JBX7218HL-U	JBX7218HL-X
	5	7,730	54,500	48,500	42,000	33,000	18,000		JBX7219T-X		JBX7219HL-X
	7 1/2	9,610	63,100	58,000	52,600	46,500	38,600		JBX721AT-X		JBX721AHL-X
	10	11,900	70,300	66,100	61,600	57,100	51,700		JBX721BT-X		JBX721BHL-X
	15	10,400	77,500	74,000	70,500	67,000	62,800		JBX721CT-X		JBX721CHL-X
	20	11,500	86,000	82,800	79,600	76,500	73,300		JBX721DT-X		JBX721DHL-X

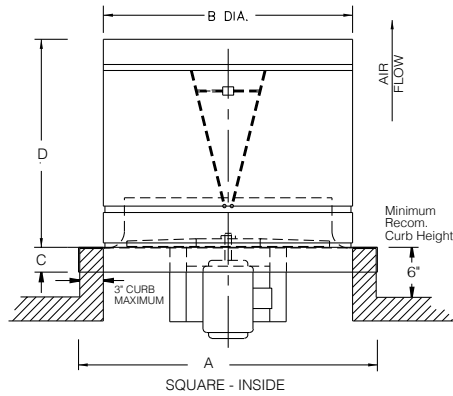
*See the Triangle Catalog for information on hazardous location models.

ROOF MOUNT FANS: JET UPBLAST

sales@trianglefans.com ▶ 501-982-7558 ▶ TriangleFans.com

JET UPBLAST DIMENSIONS

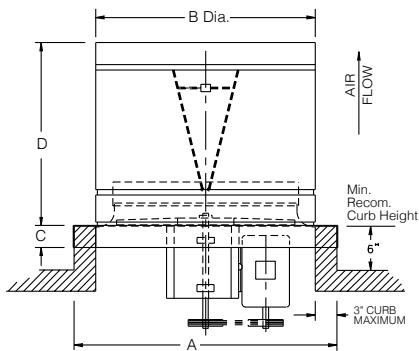
MOTOR IN AIRSTREAM



JD (Direct Drive)

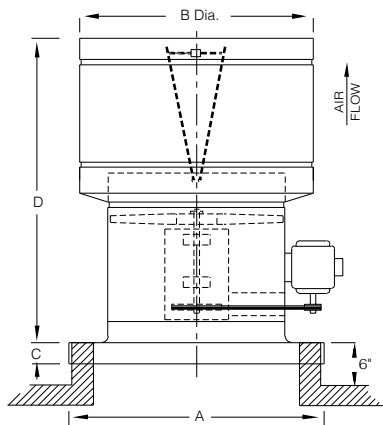
MODEL	DIMENSIONS				
	A	B	C	D	E
JD-24	36	33	3	25	30 ¼
JD-30	42	39	3	28	36 ¼
JD-36	48	45	3	31	42 ¼
JD-42	54	51	3	34	48 ¼
JD-48	60	57	3	37	54 ¼
JD-54	66	63	3	40	60 ¼
JD-60	72	69	3	43	66 ¼

JBI (Belt Drive)



MODEL	DIMENSIONS				
	A	B	C	D	E
JBI-24	36	33	3	25	30 ¼
JBI-30	42	39	3	28	36 ¼
JBI-36	48	45	3	31	42 ¼
JBI-42	54	51	3	34	48 ¼
JBI-48	60	57	3	37	54 ¼
JBI-54	66	63	3	40	60 ¼
JBI-60	72	69	3	43	66 ¼
JBI-72	84	80	3	49	78 ¼
JBI-84	96	92	3	49	90 ¼

MOTOR OUT OF AIRSTREAM



JBX (Belt Drive)

MODEL	DIMENSIONS			
	A	B	C	D
JBX-24	36	33	3	46
JBX-30	42	39	3	59
JBX-36	48	45	3	59
JBX-42	54	51	3	62
JBX-48	60	57	3	65
JBX-54	66	63	3	68
JBX-60	72	69	3	77
JBX-72	84	80	3	86
JBX-84	96	92	3	92