



CEILING MOUNTED FANS

Triangle's Ceiling Mounted fans are rugged, low-cost air movers and are available in direct drive models up to 48" and belt drive models up to 84". Yoke mounted models allow for precise, directional cooling of people, products or equipment. They are used worldwide to cool assembly lines, machine shops, loading docks, gymnasiums, warehouses, or anywhere a high volume of air movement is required.

Features

- Heavy gauge steel barrels
- Deep pitched blades for maximum airflow
- OSHA approved spiral wound guard
- Single and three-phase models available
- Suspension or yoke mounted models





THE CMB

- Belt drive
- Yoke mount
- Tilts up/down 45° and swivels 360°
- Automatic belt tensioner
- Safety cable included

The “CMB” is great for factories, gymnasiums or anywhere there is a need to have precise directional ceiling mounted cooling.

Model	Blade Diameter	CFM	RPM	HP	Amps	Width	Depth	Height	Approximate Weight
CMB3613	36"	12,100	500	1/2	7.5	44"	19"	51"	185
CMB4213	42"	14,445	500	1/2	7.5	51"	19"	56"	195
CMB4214	42"	15,850	505	3/4	13.0	51"	24"	56"	200
CMB4815	48"	19,460	475	1	11.0	57"	24"	63"	271

HAZARDOUS LOCATION MODELS

Hazardous location models are made to order and are non returnable. They come equipped with:

- Motor: Single Speed, Div. 1, Class 1, Group D & Class II, Groups F & G
- Aluminum Blade
- Stationary Motor Mount
- No wiring or switch

Model	Blade Diameter	Phase	HP	Width	Depth	Height	Approximate Weight
CMB3613HL-U	36"	1-Phase	1/2 HP	44"	24"	51"	204
CMB3613HL-X	36"	3-Phase	1/2 HP	44"	24"	51"	200
CMB4213HL-U	42"	1-Phase	1/2 HP	51"	24"	56"	224
CMB4213HL-X	42"	3-Phase	1/2 HP	51"	24"	56"	212
CMB4214HL-U	42"	1-Phase	3/4 HP	51"	24"	56"	243
CMB4214HL-X	42"	3-Phase	3/4 HP	51"	24"	56"	233
CMB4815HL-U	48"	1-Phase	1 HP	57"	24"	63"	327
CMB4815HL-X	48"	3-Phase	1 HP	57"	24"	63"	317

*See the Triangle Catalog for information on hazardous location models.

CEILING MOUNTED FANS: THE CMB

sales@trianglefans.com ▶ 501-982-7558 ▶ TriangleFans.com

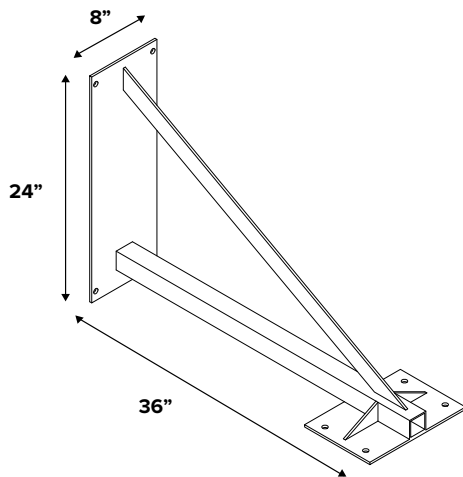


THE CMPC

- Direct drive
- Easy overhead mounting
- Safety cable included
- Tilts up/down 45° swivels 360°

The “CMPC” is great for factories, gymnasiums or anywhere there is a need to have precise directional ceiling mounted air

Model	Blade Diameter	CFM	RPM	HP	Amps	Width	Depth	Height	Approximate Weight
CMPC3021	30"	8,200 / 6,600	825 / 680	1/4	3.8	36"	12"	37"	96
CMPC3613	36"	10,900	825	1/2	6.0	44"	19"	51"	180
CMPC4213	42"	13,600	825	1/2	6.0	51"	19"	56"	190
CMPC4815	48"	19,100	850	1	9.1	57"	24"	63"	235



MOUNTING ACCESSORIES

Model: VMB111

- Beam Mount
- Durable polyester powder coat finish
- Compatible with CMB and CMPC models

CEILING MOUNTED FANS: THE CMPC

sales@trianglefans.com ▶ 501-982-7558 ▶ TriangleFans.com