



THE V SERIES

Triangle's "V" Series Belt Drive Commercial Wall Exhaust Fans are designed with long lasting performance in mind and are well suited for exhausting factories, gymnasiums, and warehouses. Each of our "V" Series Commercial Wall Exhaust Fans come standard with automatic belt tensioning to reduce maintenance and to extend motor and belt life.

Features:

- Belt Drive
- Deep pitched blades for maximum air flow
- Rolled Venturi for Improved Airflow
- Automatic Belt Tensioner
- Two Speed Single Phase Motors available up to 1/2HP, 115V
- All welded construction
- Durable polyester powder coated finish

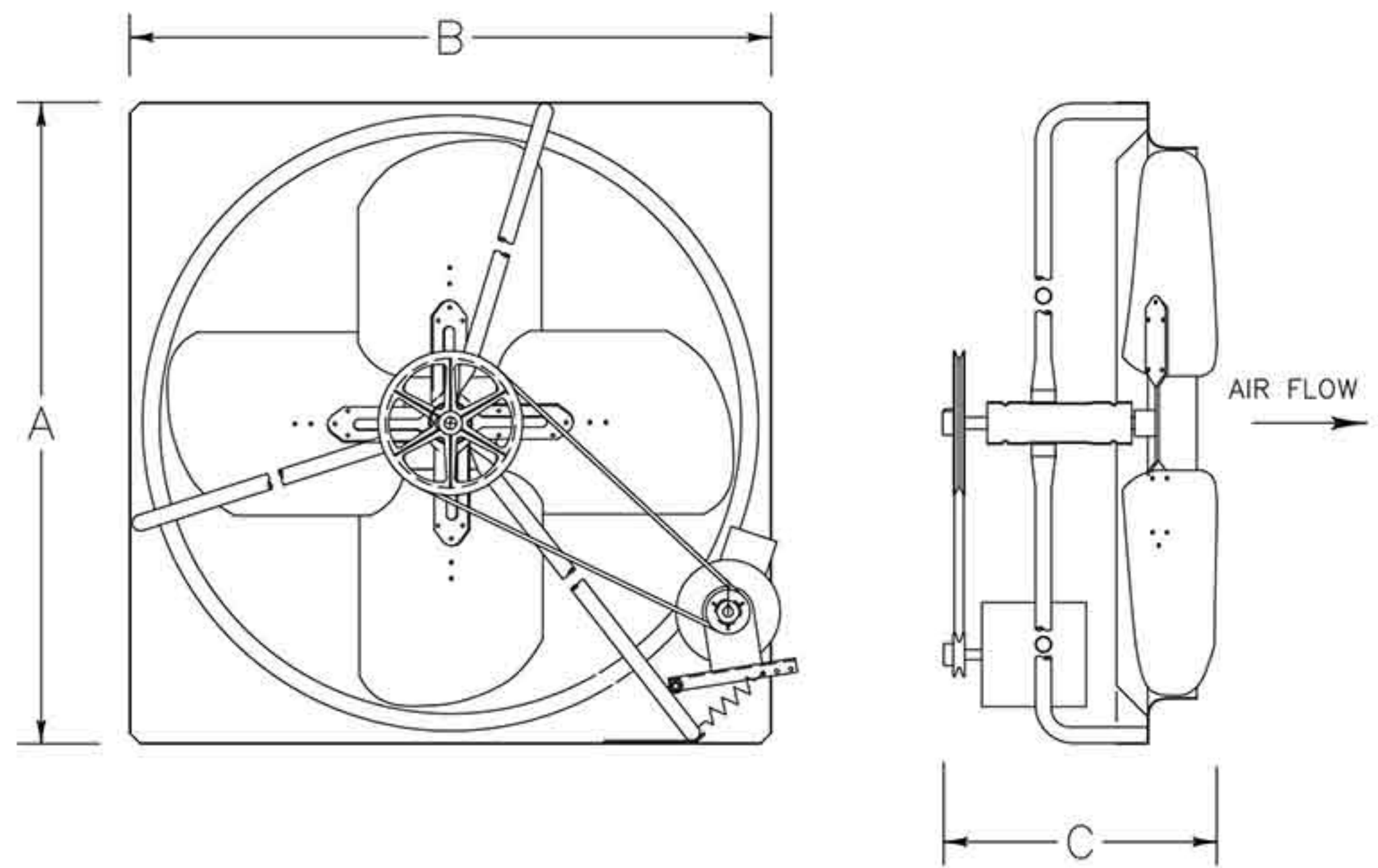


Diameter	HP	CFM 0.0 SP	0.125 SP	0.25 SP	Weight(lbs)*	1-Phase		3-Phase
						Open Drip Proof Motor 115V	Totally Enclosed Motor 115/230V	Open Drip Proof Motor 230/460V
24"	1/3	3,920	2,070	930	53	V2412-V		
30"	1/3	6,420	4,980	1,790	55	V3012-V		
	1/2	9,560	7,770	4,850	68	V3013-V	V3013T-U*	V3013-X
36"	1/2	10,900	9,160	4,310	71	V3613-V	V3613T-U*	V3613-X
	3/4	12,100	10,400	5,000	77	V3614-U*		V3614-X
42"	1/2	14,200	11,600	5,470	90	V4213-V	V4213T-U*	V4213-X
	3/4	15,900	12,300	5,900	97	V4214-U*		V4214-X
48"	1/2	17,100	11,500	3,900	106	V4813-V	V4813T-U*	V4813-X
	3/4	18,100	13,800	6,370	110	V4814-U*		V4814-X

*All weights are approximate and measured in pounds

*Dual volatage, single phase and prewired 115v

Dimensions "V" Series			
Diameter	(A)	(B)	(C)
24"	30"	30"	16 1/4"
30"	34"	34"	16 1/4"
36"	40"	40"	16 1/4"
42"	46"	46"	16 1/4"
48"	52"	52"	16 1/4"



Performance shown is for installation type A: free inlet and free outlet and does not include the effects of accessories.

WALL MOUNT FANS AND SHUTTERS: V SERIES

Triangle Engineering Inc. 1-501-982-7558 1101 North Redmond Rd, Jacksonville, AR 72076 www.trianglefans.com