

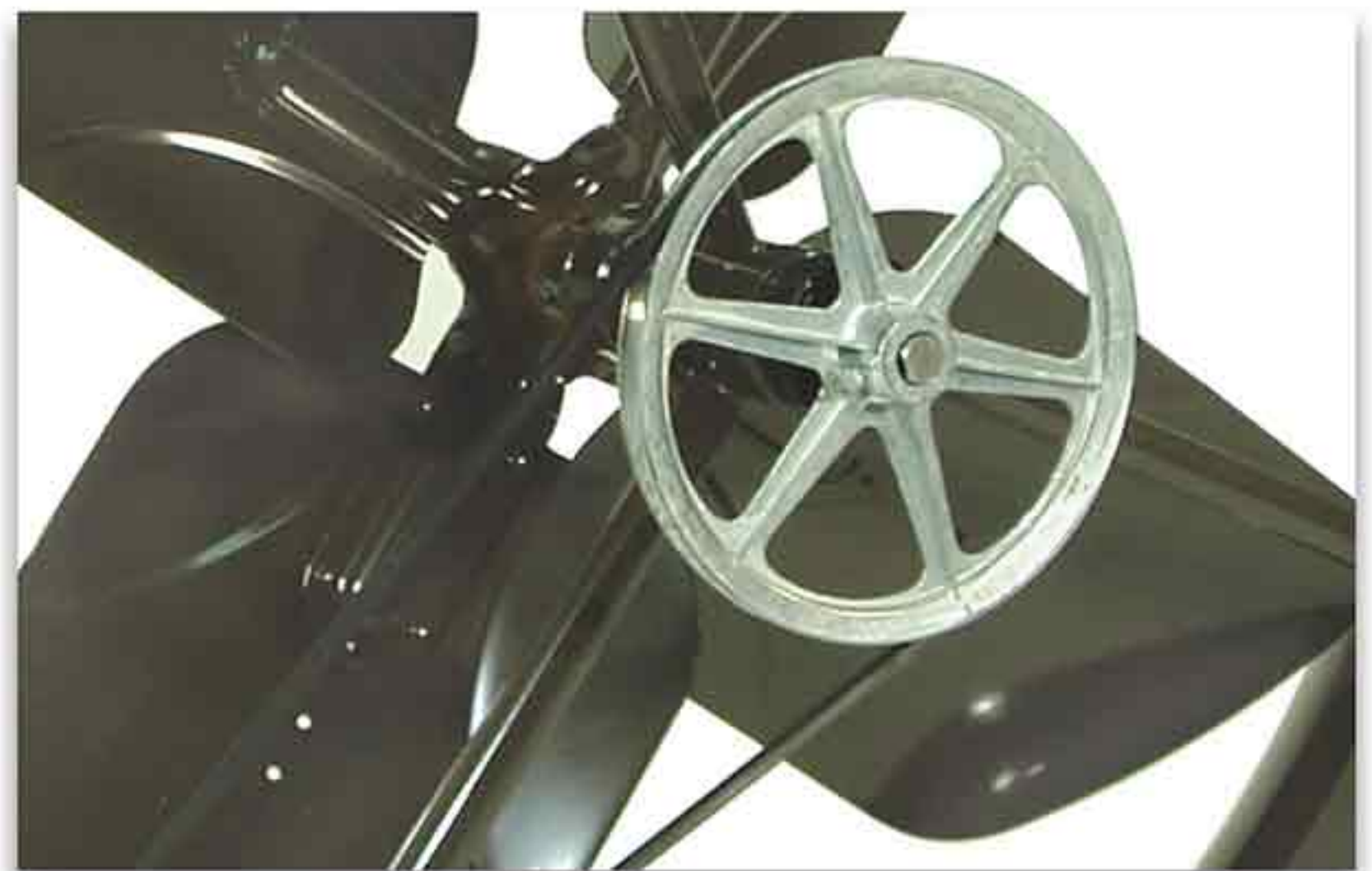


## THE RV SERIES

Triangle's "RV" Series Belt Drive Commercial Wall Supply Fans are designed with long lasting performance in mind and are well suited for supplying factories, gymnasiums, and warehouses. Each of our "RV" Series Commercial Wall Supply Fans come standard with automatic belt tensioning to reduce maintenance and to extend motor and belt life.

### Features:

- Belt Drive
- Rolled Venturi for Improved Airflow
- Durable Polyester Powder Coated Finish
- High Quality, Heavy Duty Components
- Automatic Belt Tensioner
- Durable Powder Coated Finish
- All Welded Construction



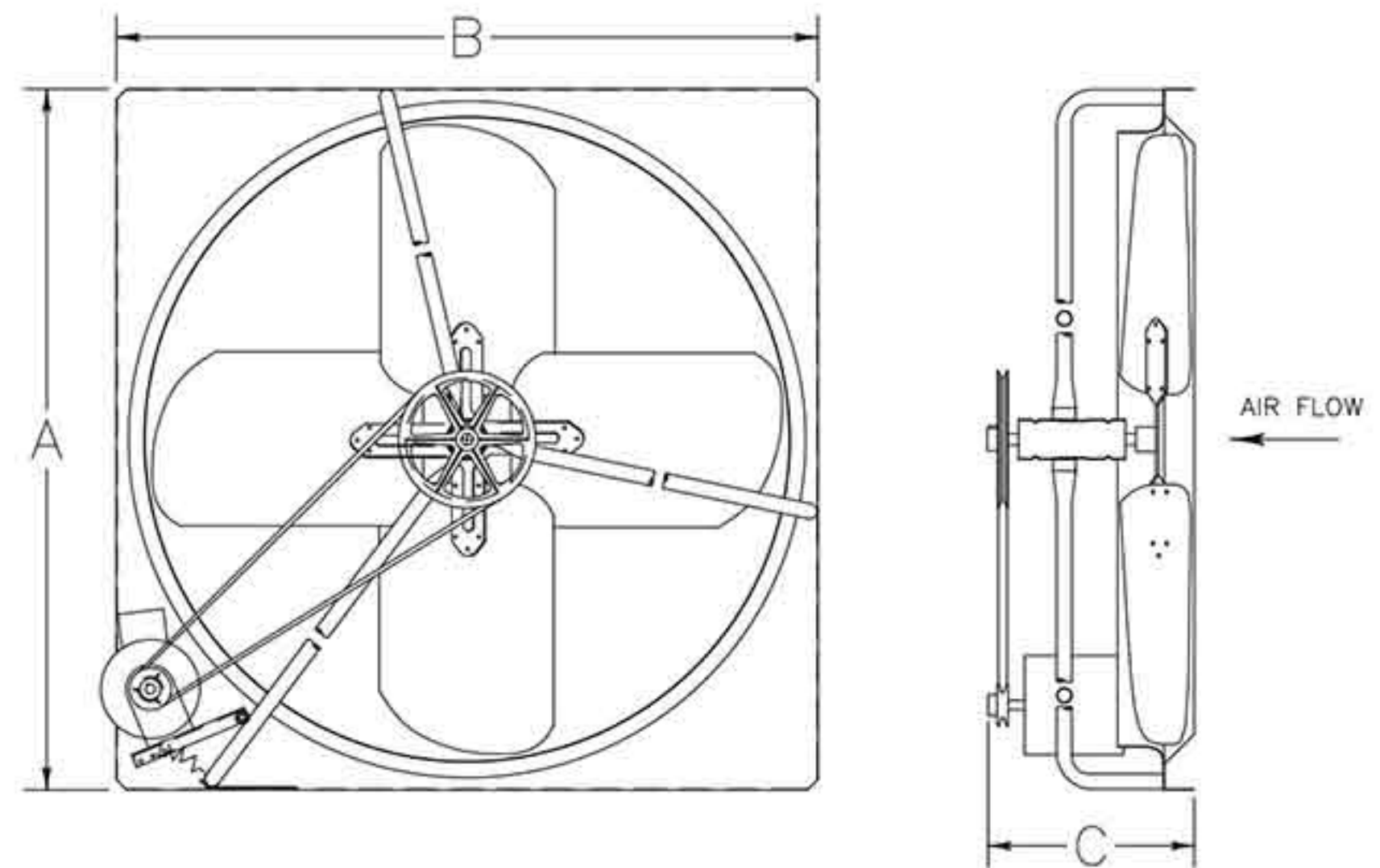


Diameter	HP	CFM 0.0 SP	0.125 SP	0.25 SP	Weight(lbs)*	1-Phase		3-Phase
						Open Drip Proof Motor 115V	Totally Enclosed Motor 115/230V	Open Drip Proof Motor 230/460V
24"	1/3	3,920	2,070	930	53	<b>RV2412-V</b>		
30"	1/3	6,420	4,980	1,790	55	<b>RV3012-V</b>		
	1/2	9,560	7,770	4,850	68	<b>RV3013-V</b>	<b>RV3013T-U*</b>	<b>RV3013-X</b>
36"	1/2	10,900	9,160	4,310	71	<b>RV3613-V</b>	<b>RV3613T-U*</b>	<b>RV3613-X</b>
42"	1/2	14,200	11,600	5,470	90	<b>RV4213-V</b>	<b>RV4213T-U*</b>	<b>RV4213-X</b>
48"	1/2	17,100	11,500	3,900	106	<b>RV4813-V</b>	<b>RV4813T-U*</b>	<b>RV4813-X</b>
	3/4	18,100	13,800	6,370	110	<b>RV4814-U*</b>		

\*All weights are approximate and measured in pounds

\*Dual volatage, single phase and prewired 115v

Dimensions "RV" Series			
Diameter	(A)	(B)	(C)
24"	30"	30"	16 1/4"
30"	34"	34"	16 1/4"
36"	40"	40"	16 1/4"
42"	46"	46"	16 1/4"
48"	52"	52"	16 1/4"



Performance shown is for installation type A: free inlet and free outlet and does not include the effects of accessories. All units are made to order and are not returnable.

## WALL MOUNT FANS AND SHUTTERS: RV SERIES

Triangle Engineering Inc. 1-501-982-7558 1101 North Redmond Rd, Jacksonville, AR 72076 [www.trianglefans.com](http://www.trianglefans.com)