



CRADLED JETAIRE™ HIGH VELOCITY

Triangle's Cradle Mounted JetAire™ high velocity fans are manufactured with a durable polypropylene barrel, a welded polyester powder coated cradle and equipped with totally enclosed motors. JetAire High Velocity fans are ideal for industrial, commercial and golf course applications.

Features:

- Available in a 30" diameter
- Moves a large concentration of air at distances of 100' or more
- Tiltable head for desired direction of air flow
- Available in Hunter Green or Industrial Gray
- Bronze, Polyester Powder Coated Cradle
- 10' grounded, 3 conductor cord with molded plug

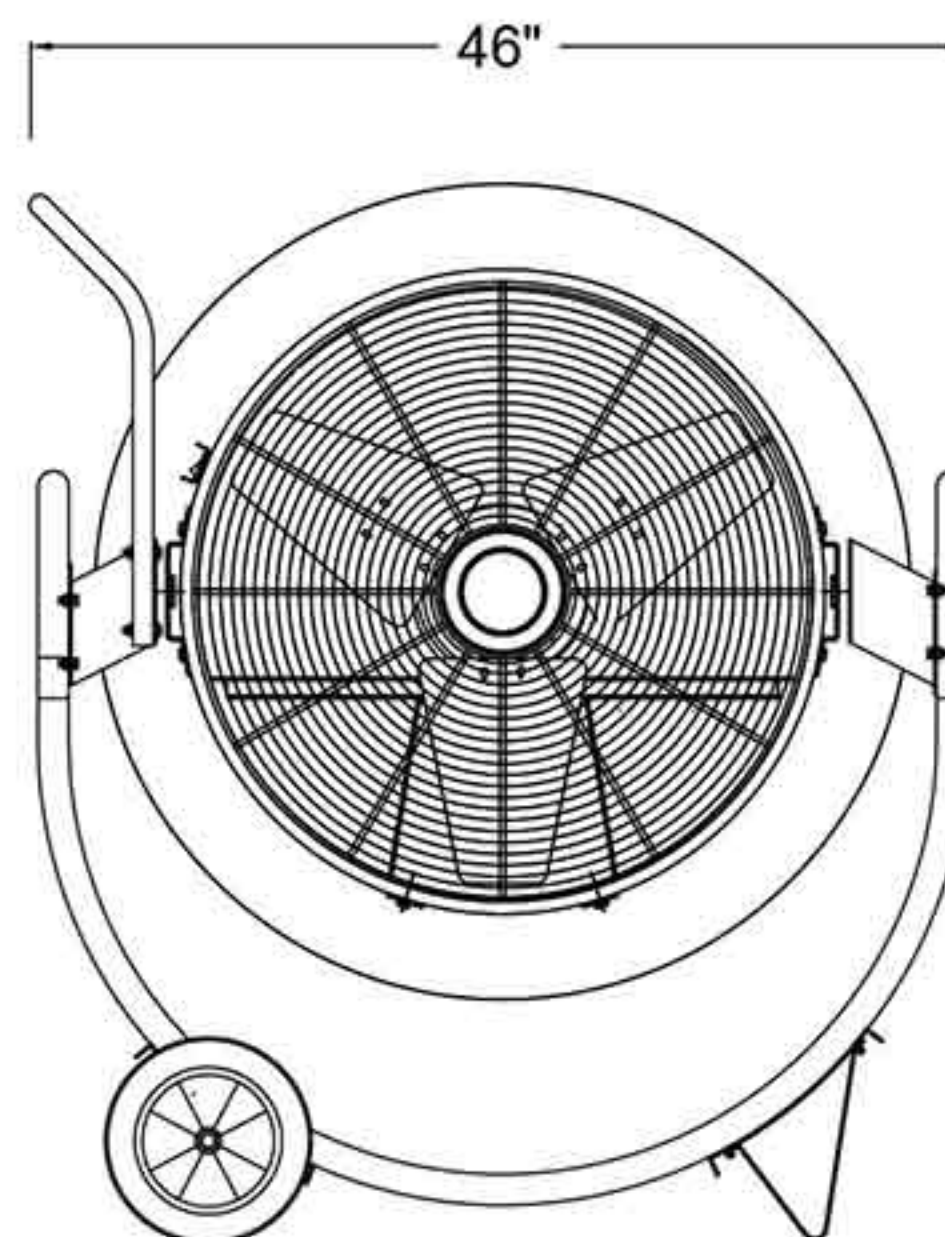
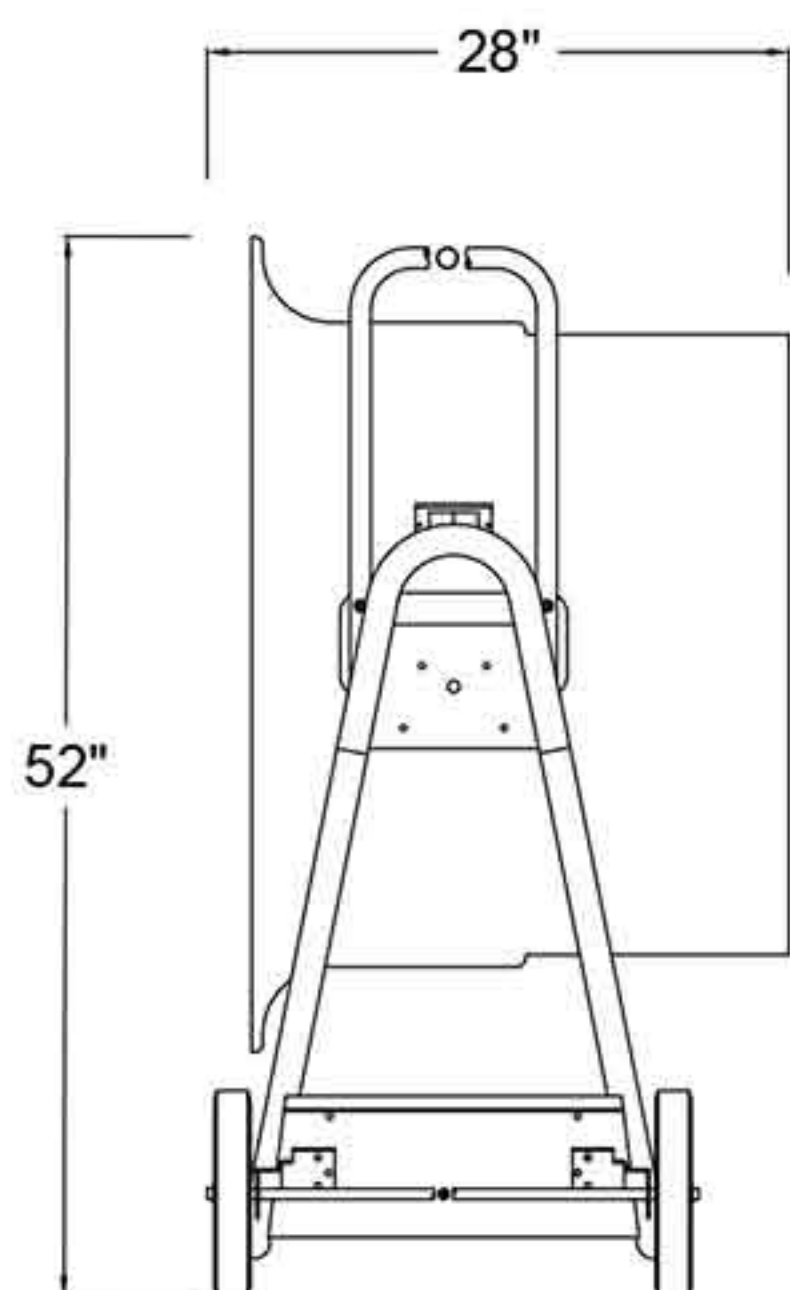




CRADLED JETAIRE

- Tiltable head for desired direction of air flow
- Choice of Hunter Green or Industrial Gray Barrel
- Cradle Mounted
- Totally Enclosed Motor
- Optional Mister Kit for added comfort

Diam.	HP	CFM	Approx. Weight	1-Phase	
				115V	230V
30"	1/2	7,900	218	HVD3013-V	HVD3013-W
	1	10,600	222	HVD3015-V	HVD3015-W



PORTABLE FLOOR FANS: THE CRADLE MOUNTED JETAIRE