



GENERAL PURPOSE EXHAUST FANS

Triangle's General Purpose Exhaust fans are ruggedly designed for continuous operation for exhausting workshops, barns, poultry houses, greenhouses, garages or anywhere air movement is required to control condensation and exhaust stagnant air.

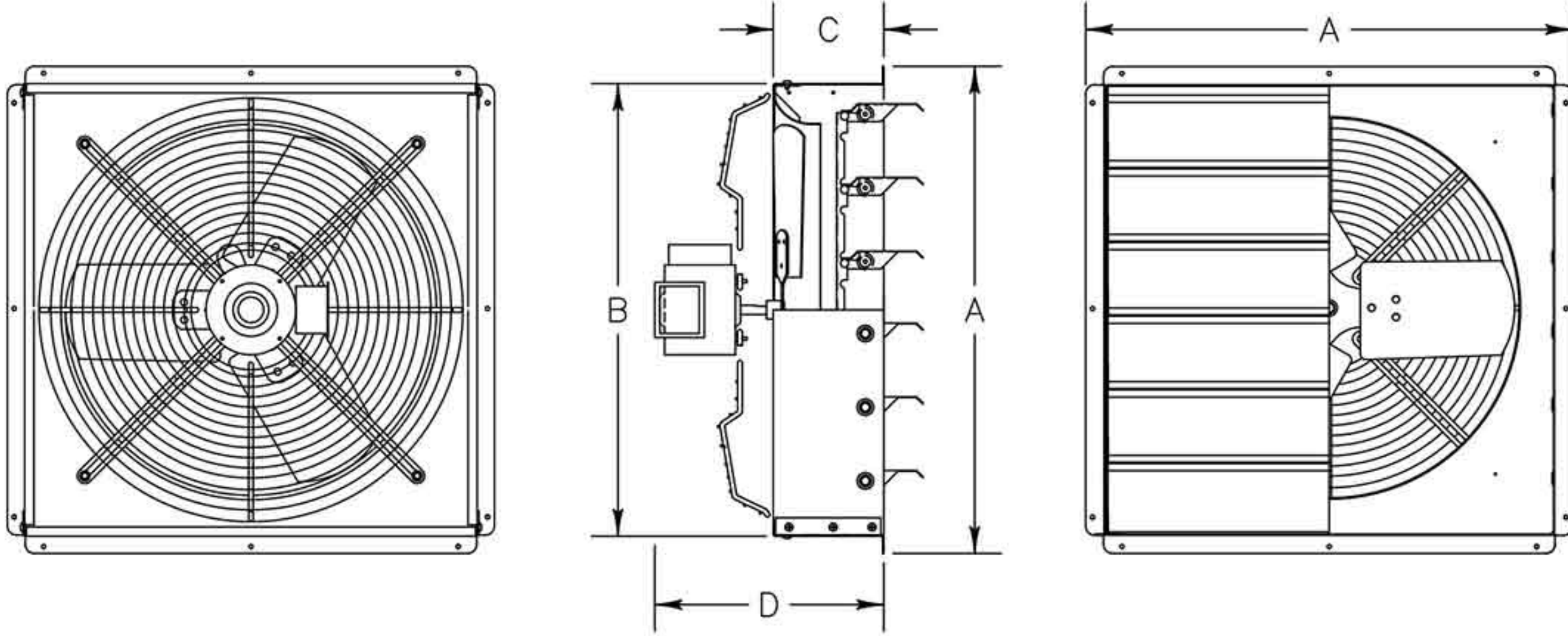


Features:

- Available with 12", 16", 20", 24" and 30" fan blades.
- Ships fully assembled and ready to install.
- 115 volt Totally Enclosed Air Over (TEAO) thermally protected motor
- Heavy gauge galvanized steel frame to reduce rust and corrosion.
- Built-in shutter with rigid blades for long lasting, continuous operation.
- Spiral guard has a polyester powder coat finish and meets OSHA requirements.
- Shutter opens and closes automatically when the fan is turned on and off.

GPX SERIES

Model	Diameter	CFM	RPM	HP	Amps
GPX 1210	12"	1,580	1625	1/6	2.2
GPX 1611	16"	2,600	1650	1/4	2.3
GPX 2011	20"	3,200	1650	1/4	2.3
GPX 2413	24"	5,460	1100	1/2	6.1
GPX 3013	30"	6,800	1100	1/2	6.1



FAN DIMENSIONS				
Model	"A"	"B"	"C"	"D"
GPX 1210	18 3/4"	17 1/8"	6"	13 1/4"
GPX 1611	22 3/4"	21 1/8"	6"	13"
GPX 2011	26 3/4"	25 1/8"	6"	13"
GPX 2413	30 3/4"	29 1/8"	6"	14 1/4"
GPX 3013	36 3/4"	35 1/8"	6"	13"

SHIPPING DIMENSIONS				
MODEL	HEIGHT	WIDTH	DEPTH	WEIGHT LBS
GPX 1210	19"	14"	19"	35
GPX 1611	23"	14"	24"	43
GPX 2011	27"	14"	28"	55
GPX 2413	31"	16"	32"	66
GPX 3013	40"	16"	40"	70

WALL MOUNT FANS AND SHUTTERS: GPX SERIES

Triangle Engineering Inc. 1-501-982-7558 1101 North Redmond Rd, Jacksonville, AR 72076 www.trianglefans.com