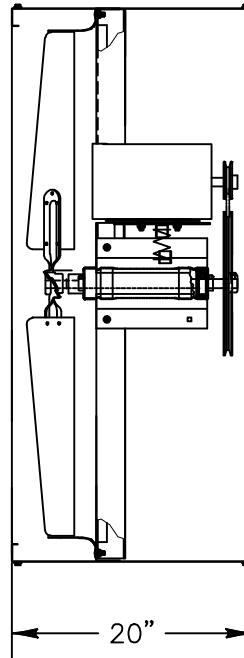
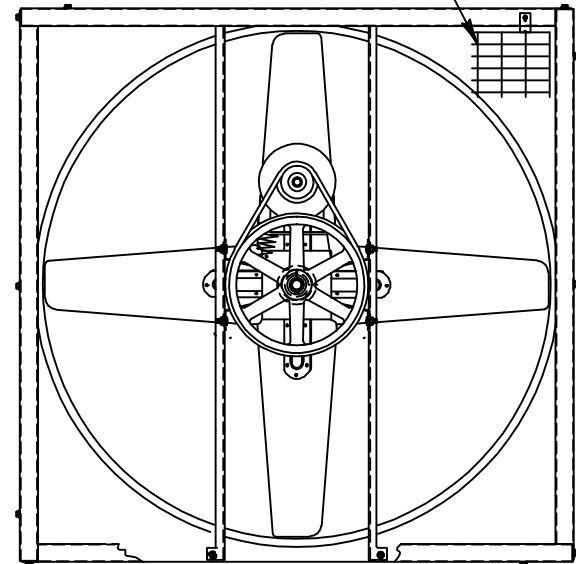


DISCHARGE VIEW



1' X 2" BIRD SCREEN ON
INTAKE AND DISCHARGE SIDES



INTAKE VIEW

TRIANGLE ENGINEERING
CERTIFIED DRAWING

BY:
FOR:
DATE:
PFG3613 AGRICULTURAL FAN
1/2 HP 115/230 V. SINGLE PHASE
BLADE DIA 36"



TRIANGLE ENGINEERING
OF ARKANSAS, INC.

PFG3613
AGRICULTURAL FAN

L-PFG3613

REV

DR. BY: TOM KING

CKD.

APP.

SHEET 1 OF 1

NOT TO SCALE

12 DEC 2003