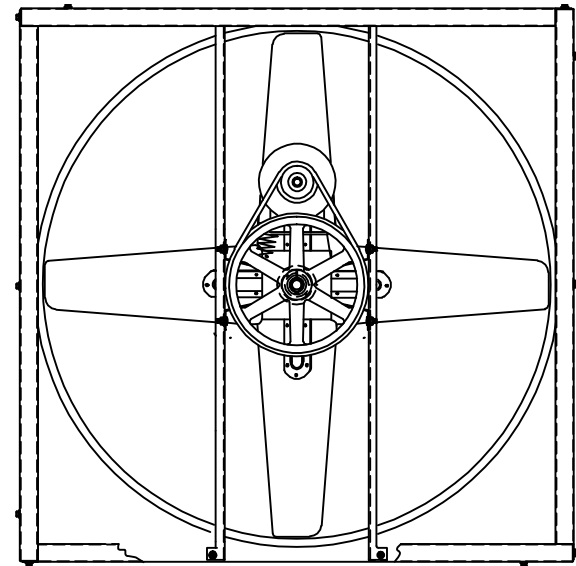
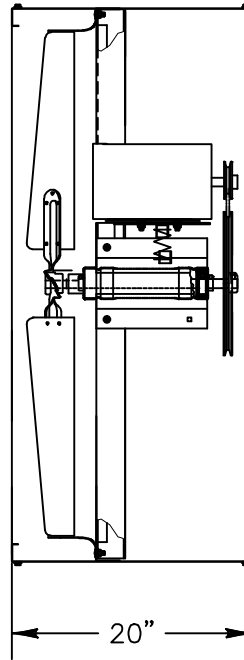


DISCHARGE VIEW



INTAKE VIEW

TRIANGLE ENGINEERING  
CERTIFIED DRAWING

BY:  
FOR:  
DATE:  
VI3615 WALL FAN, 1 HP HP 15/230 V.  
SINGLE PHASE, HASIALLY ENCLOSED MOTOR  
BLADE DIA 36"



TRIANGLE ENGINEERING  
OF ARKANSAS, INC.

VI3615  
WALL FAN

L-VI3615

REV  
1

DR. BY: TOM KING

CKD.

APP.

SHEET 1 OF 1

NOT TO SCALE

12 DEC 2003